



**BARTELL
GLOBAL**

**PARTS
BOOK**

FORWARD PLATE COMPACTORS

BCF1080



Doc. # PB-B19017
Orig. Rel. - 10/2013
Curr Rev. - 10



www.BartellGlobal.com

CANADA

170 Traders Blvd E
Mississauga, Ontario L4Z 1W7
TEL (647) 953-4100 FAX (647) 953-4101

KENTUCKY

4701 Allmond Ave
Louisville, Kentucky 40209
TEL (425) 405-9100 FAX (425) 405-9101

UK

Honeyholes Lane
Dunholme, Lincoln, UK LN2 3SU
TEL 01673 860709 FAX 01673 861119

NEW JERSEY

200 Commerce Drive, Unit A
Freehold, New Jersey 07728
TEL (848) 225-8100 FAX (848) 225-8101

**ORIGINAL LANGUAGE OPERATING MANUAL FOR
BARTELL RIDE-ON TROWELS**

© 2022 Bartell Global Inc.

No part of this work may be reproduced or transmitted in any form or by any means, electronic or mechanical, including photocopying and recording, or by any information storage or retrieval system without the prior written permission of Bartell Morrison Inc. unless such copying is permitted by federal copyright laws.

ADDRESS INQUIRIES OR REFERENCE PERMISSIONS CARE OF:

Bartell Global, 170 Traders Blvd E., Mississauga, Ontario, Canada, L4Z 1W7

REV.	DATE	DESCRIPTION	APPROVED BY:
00	10/2013	Initial Release	AL
01	01/2014	Cover Photo Updated	AL
02	02/2014	Address Updated	AL
03	06/2014	Cover Page Updated	AL
04	07/2014	Part number updated	AL
05	09/2014	Part number updated	AL
06	07/2017	Updated look, Part Number Updated Item 39 Parts List 1	AN
07	10/2017	Added Vibrator Assembly as Parts List 2, Updated Parts List 3	AN
08	05/2019	Updated Address, Updated P/N's	AN
09	03/21	Updated P/N	AN
10	06/23	Updated part numbers	AN



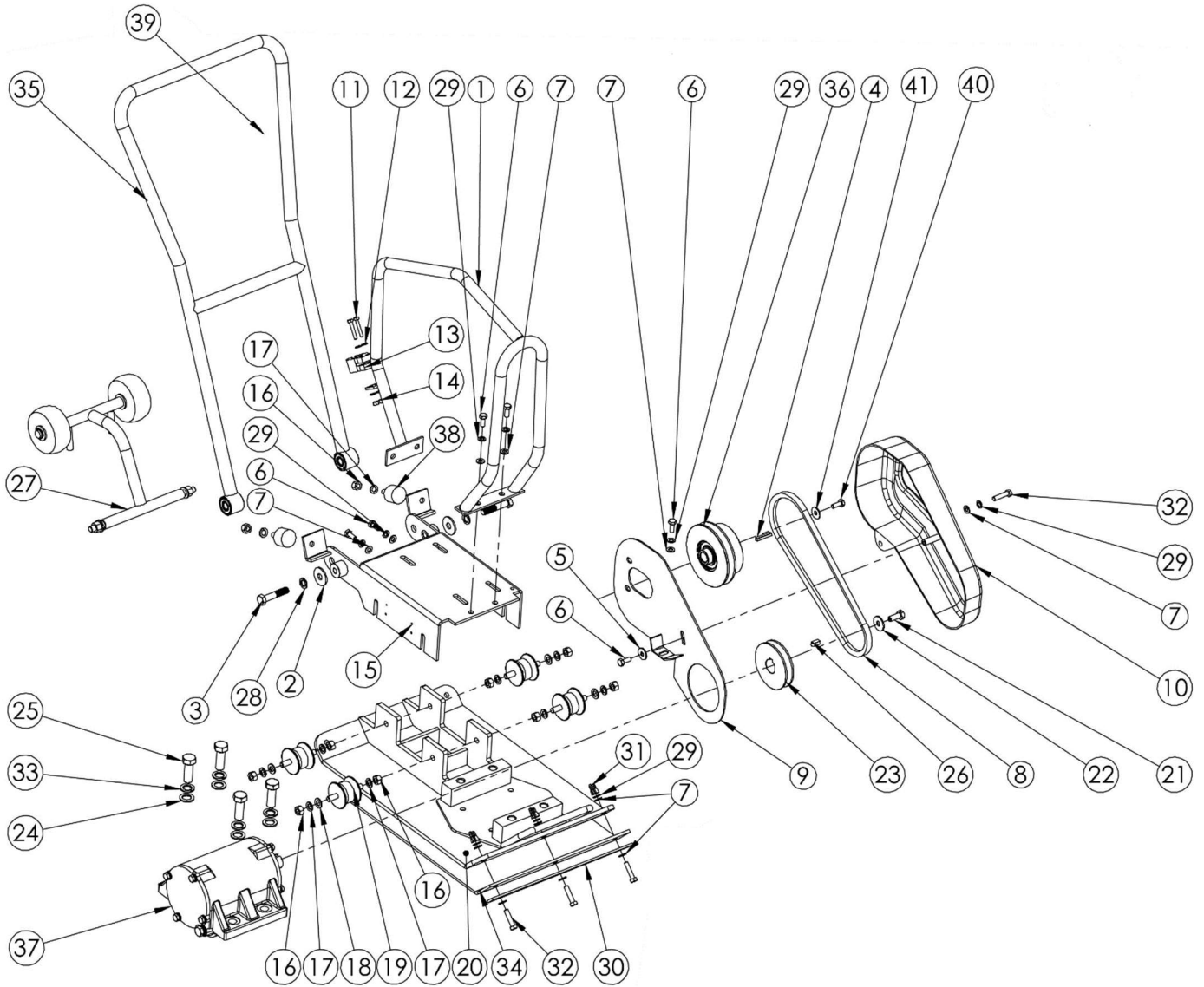
TABLE OF CONTENTS

<u>PARTS LIST 1 – FORWARD PLATE COMPACTORS</u>	<u>3</u>
FULL ASSEMBLY: BCF1080	3
FULL ASSEMBLY: BCF1080 – PARTS LIST 1	4
<u>PARTS LIST 2 – FORWARD PLATE COMPACTORS</u>	<u>5</u>
VIBRATOR: BCF1080	5
VIBRATOR: BCF1080 – PARTS LIST 2	6
<u>PARTS LIST 3 – FORWARD PLATE COMPACTORS</u>	<u>7</u>
WHEELS: BCF1080	7
WHEELS: BCF1080 – PARTS LIST 3	8
<u>DECLARATION OF CONFORMITY</u>	<u>10</u>



PARTS LIST 1 – FORWARD PLATE COMPACTORS

FULL ASSEMBLY: BCF1080





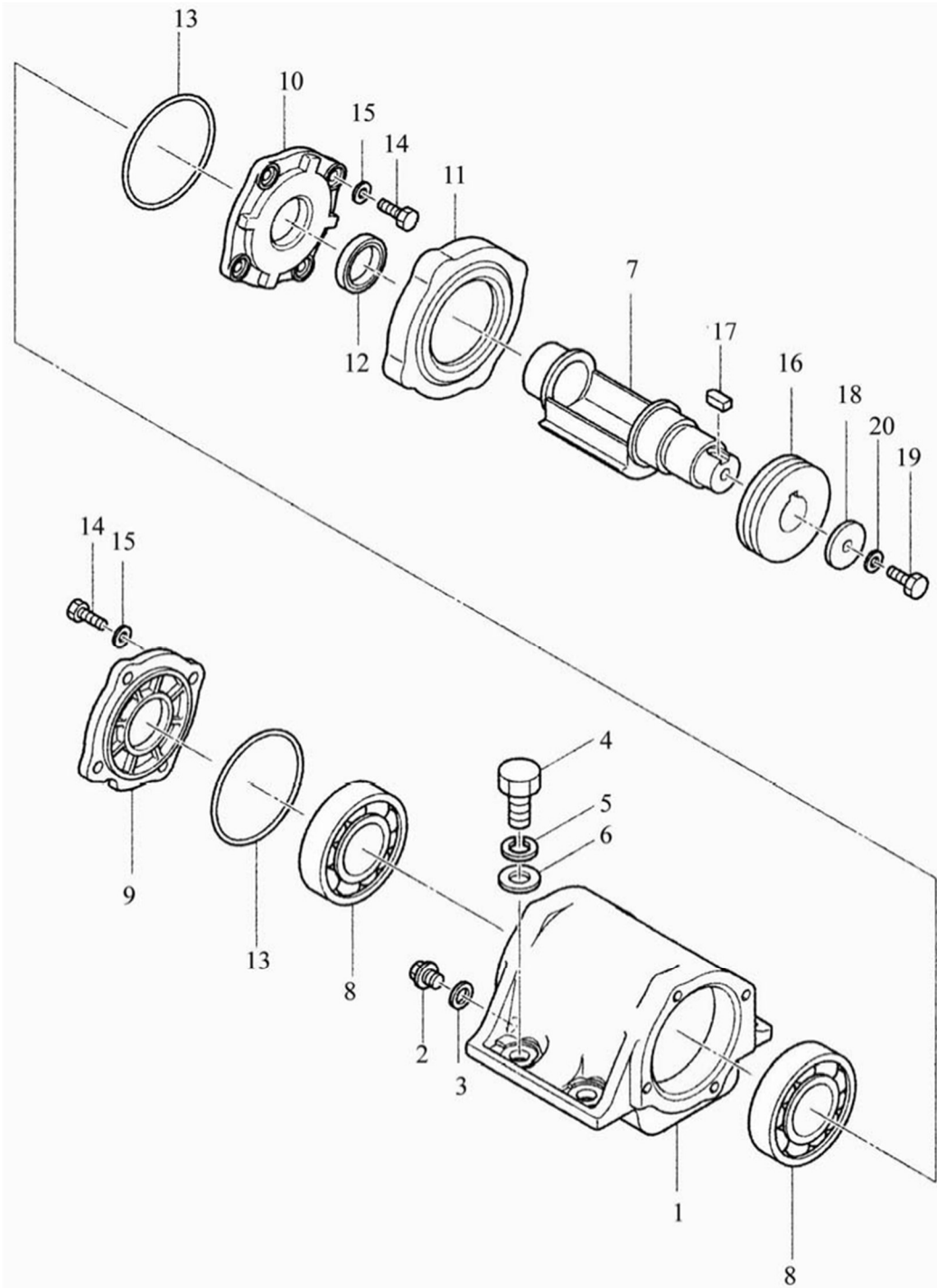
FULL ASSEMBLY: BCF1080 – PARTS LIST 1

Item #	Part #	Description	QTY	Remarks
1	65101237-01001 651066	ENGINE FRAME ENGINE FRAME (water tank compatible)	1	
2	14267	PLAIN WASHER, M12	2	
3	22675	HHCS, M12-1.75x60MM LG	2	
4	10208	KEY, 3/16" SQ x 1.5" LG	1	
5	11667	PLAIN WASHER, M8	1	
6	10999	HHCS, M8-1.25x20MM LG	6	
7	11667	PLAIN WASHER, M8	12	
8	11896	V-BELT, AX30	1	
9	65101237-01035	BACK PLATE, BELT COVER	1	
10	65101237-01036	COMPACT COVER ASSEMBLY	1	
11	10523	HHCS, M6-1.0x35MM LG	2	
12	11043	PLAIN WASHER M6	4	
13	651042	CASTER HOLDERS	1	
14	11625	HEX NUT M6-1.0	2	
15	65101237-01070	ENGINE SUPPORT ASSEMBLY	1	
16	11802	LOCKNUT M10-1.5	10	
17	11621	LOCKWASHER M10	10	
18	41516	PLAIN WASHER M10	4	
19	651030	VIBRATION ISOLATOR MOUNT	4	
20	65101237-01083	COMPACTOR PLATE ASSEMBLY	1	
21	13348	HHCS, M10-1.5x25MM LG	1	
22	651093	EXCITER PULLEY WASHER	1	
23	651113	EXCITER PULLEY	1	
24	651073	PLAIN WASHER M16	4	
25	651078	HEX HEAD BOLT M16x45	4	
26	651094	KEY 20MM LG	1	
27	651098	WHEEL ASSEMBLY	2	
28	10735	SPRING WASHER M12	2	
29	11614	SPRING WASHER M8	9	
30	651102-1	MOUNTING STRIP	1	
31	11615	HEX NUT M8	3	
32	35087	FHSCS, M8 X 35MM	4	
33	31260	SPRING WASHER M16	4	
34	651102-1	COMPACTOR RUBBER	1	
35	65101539-01005	HANDLE ASSEMBLY	1	
36	30202	CENTRIFUGAL CLUTCH	1	
37	651010	VIBRATOR ASSEMBLY	1	
38	651036	VIBRATOR ISOLATOR BB-35/35-B	2	
39	651059	THROTTLE LEVER WITH CABLE ASSY	1	
40	11256	FHSCS,5/16"-24 X 1" LG	1	
41	30042	CLUTCH RETAINING WASHER	1	
	651172	BLACK TWIST KNOB (NOT SHOWN)	2	



PARTS LIST 2 – FORWARD PLATE COMPACTORS

VIBRATOR: BCF1080



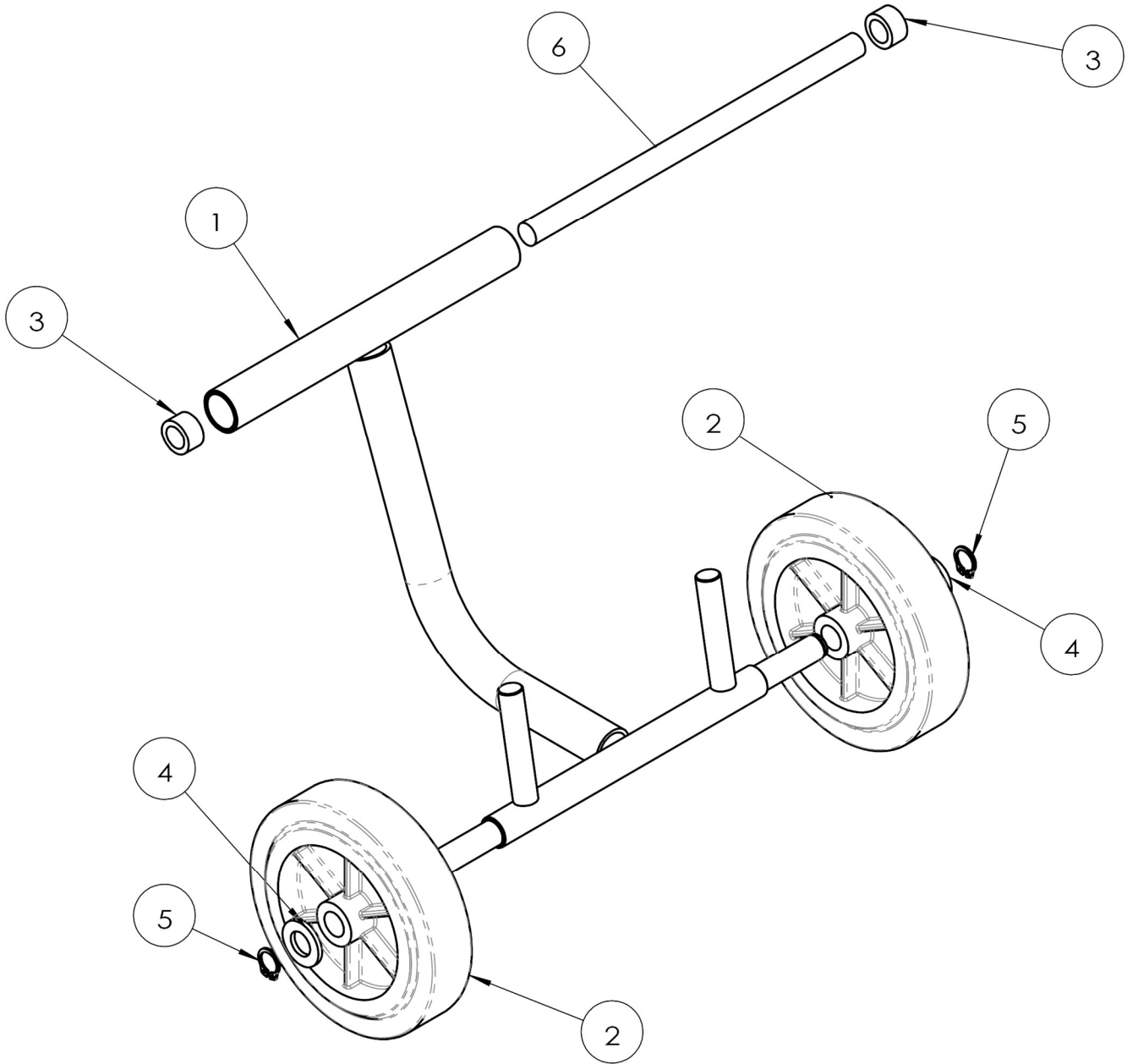


VIBRATOR: BCF1080 – PARTS LIST 2

Item #	Part #	Description	QTY	Remarks
-	651010	VIBRATOR ASSEMBLY	1	
1	65CPC-95-01A	VIBRATING CASE	1	
2	65CPC-95-02A	DRAIN PLUG, M12-1.25x10MM LG	1	
3	60848	SEALING WASHER, M12	1	
4	651078	HHCS, M16-2.0x45MM LG	4	
5	31260	LOCKWASHER, M16	4	
6	651073	PLAIN WASHER, M16	4	
7	65CPC-E60-14A	VIBRATION WEIGHTS	1	
8	60845	BEARING, 6211	2	
9	65CPC-95-09A	CASE RIGHT COVER	1	
10	65CPC-95-010A	CASE LEFT COVER	1	
11	65CPC-95-011A	BELT COVER GUARD	1	
12	60873	OIL SEAL 35x48x10	1	
13	60843	O-RING 100 x 3.1	2	
14	11619	HHCS, M8-1.25x25MM LG	8	
15	11614 11667	LOCKWASHER, M8 PLAIN WASHER, M8	8	
16	651113	PULLEY	1	
17	651094	KEY 8x7x20	1	
18	14998	FENDER WASHER M10	1	
19	13348	HHCS, M10-1.5x25MM LG	1	
20	11621	LOCKWASHER, M10	1	

PARTS LIST 3 – FORWARD PLATE COMPACTORS

WHEELS: BCF1080





WHEELS: BCF1080 – PARTS LIST 3

Item #	Part #	Description	QTY	Remarks
A	651098	COMPLETE WHEEL KIT	1	
1	65CPC-E60-W-001	WHEELS FRAME	1	
2	65CPC-E60-W-002	WHEELS	2	
3	65CPC-E60-W-003	COLLAR	2	
4	14267	WASHER M12	2	
5	65CPC-E60-W-005	CIRCLIP M12	2	
6	65CPC-E60-W-006	SHAFT	1	
	651042	RUBBER HOLDER	1	



This Page Left Intentionally Blank



DECLARATION OF CONFORMITY

CERTIFICAT DE CONFORMITÉ / GELIJKVORMIGHEIDS CERTIFICAAT / DECLARACIÓN DE CONFORMIDAD / DECLARAÇÃO DE CONFORMIDADE / DICHIARAZIONE DI CONFORMITA

We:	Bartell Morrison Inc. 170 Traders Blvd E Mississauga, Ontario, Canada L4Z 1W7 Tel: (905) 364-4200 Toll Free: (866) 501-1683 Fax: (905) 364-4201	Bartell Morrison USA LLC 200 Commerce Drive, Unit A Freehold, NJ, USA 07728 Tel: (732) 566-5400 Toll Free: (888) 999-1570 Fax: (732) 566-5444
------------	--	--

Declare under our sole responsibility that the product to which this declaration relates is in conformity with the following standard(s) or other normative documents.

Déclarons sous notre responsabilité que le produit cette déclaration est conforme aux normes suivantes ou d'autres documents habituels.

Verklaren onder onze verantwoordelijkheid dat het product naar welke de verklaring verwijst conform de volgende standaards of anders gebruikelijke documenten is.

Declaramos bajo nuestra única responsabilidad que el producto en lo que esta declaración concierne, es conforme con la siguiente normativa u otros documentos.

Declara sob sua responsabilidade que o produto a quem esta declaração interessar, está em conformidade com os seguintes documentos legais ou normas directivas.

Dichiariamo sotto la ns. unica responsabilità che il prodotto al quale questa dichiarazione si riferisce, è fabbricato in conformità ai seguenti standard e documenti di normative.

EN 349:1993	Safety of Machinery - Minimum gaps to avoid crushing of parts of the human body.
EN 418:1993	Safety of Machinery - Emergency stop equipment, functional aspects - Principles for design
EN 12100-1:2003	Safety of Machinery - Basic Concepts, general principles for design - Part 1: Basic Terminology, methodology
EN 12100-2:2003	Safety of Machinery - Basic Concepts, general principles for design - Part 2: Technical Principles
EN ISO 4872:1978	Acoustics - Measurement of Airborne noise emitted by construction equipment intended for outdoor use - Method for determining compliance with noise limits.
EN ISO 5349-1:2001	Mechanical vibration. Measurement and evaluation of human exposure to hand-transmitted vibration. General requirements
EN ISO 5349-2:2001	Mechanical vibration. Measurement and assessment of human exposure to hand-transmitted vibration. Practical guidance for measurement at the workplace.

Following the provisions of Directive(s):

Suivant les directive(s) déterminées:

Volgens de vastgestelde richtlijnen:

Siguiendo las directiva(s):

No seguimento das clausulas da Directiva(s):

Seguendo quanto indicato dalla Direttiva(s):

98/37/EC	Machinery Directive
2000/14/EC	Noise Directive
2001/95/EC	General Product Safety Directive
2002/95/EC	Reduction of Hazardous Waste Directive

CONTRACTOR PROVEN EQUIPMENT SINCE 1946

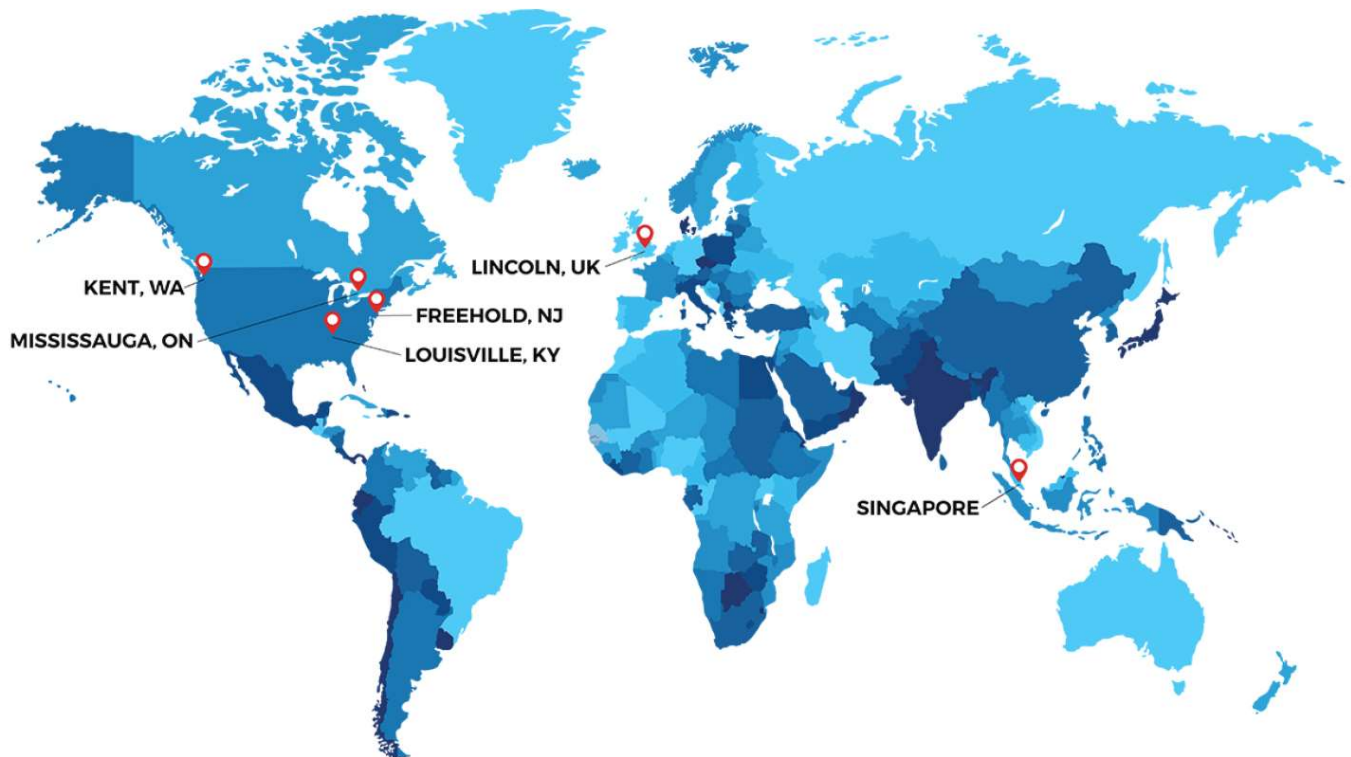


170 Traders Blvd E
Mississauga, ON L4Z 1W7
Canada

4701 Allmond Avenue
Louisville, KY 40209
United States

200 Commerce Drive
Freehold, NJ 07728
United States

Honeyholes Lane
Dunholme, Lincoln LN2 3SU
United Kingdom



BartellGlobal.com