



**BARTELL
GLOBAL**

**PARTS
BOOK**

REVERSIBLE HYDRAULIC PLATE COMPACTOR

BR1570



Doc. # PB-B19021
Orig. Rel. - 10/2013
Curr Rev. - 10



www.BartellGlobal.com

CANADA

170 Traders Blvd E
Mississauga, Ontario L4Z 1W7
TEL (647) 953-4100 FAX (647) 953-4101

KENTUCKY

4701 Allmond Ave
Louisville, Kentucky 40209
TEL (425) 405-9100 FAX (425) 405-9101

UK

Honeyholes Lane
Dunholme, Lincoln, UK LN2 3SU
TEL 01673 860709 FAX 01673 861119

NEW JERSEY

200 Commerce Drive, Unit A
Freehold, New Jersey 07728
TEL (848) 225-8100 FAX (848) 225-8101

**ORIGINAL LANGUAGE OPERATING MANUAL FOR
BARTELL RIDE-ON TROWELS**

© 2022 Bartell Global Inc.

No part of this work may be reproduced or transmitted in any form or by any means, electronic or mechanical, including photocopying and recording, or by any information storage or retrieval system without the prior written permission of Bartell Morrison Inc. unless such copying is permitted by federal copyright laws.

ADDRESS INQUIRIES OR REFERENCE PERMISSIONS CARE OF:

Bartell Global, 170 Traders Blvd E., Mississauga, Ontario, Canada, L4Z 1W7

| REV. | DATE | DESCRIPTION | APPROVED BY: |
|------|----------|---|--------------|
| 00 | 10/2013 | Initial release | AL |
| 01 | 01/2014 | Cover photo updated | AL |
| 02 | 02/2014 | Part number updated | AL |
| 03 | 05/2014 | Part description updated | AL |
| 04 | 07/2014 | Cover page updated | AL |
| 05 | 14/07/17 | Address update, Format updated | AN |
| 06 | 10/2017 | Added wheel kit parts list | AN |
| 07 | 06/2018 | Added sub-assembly kits to parts lists 2, 3 and 5 | AN |
| 08 | 04/2019 | Items 5,6,7,8 descriptions updated parts list 3 | AN |
| 09 | 09/2019 | Updated Address and P/N's | AN |
| 10 | | Added Rocker Switch | AN |
| 11 | 06/2023 | Updated Part Numbers | AN |



TABLE OF CONTENTS

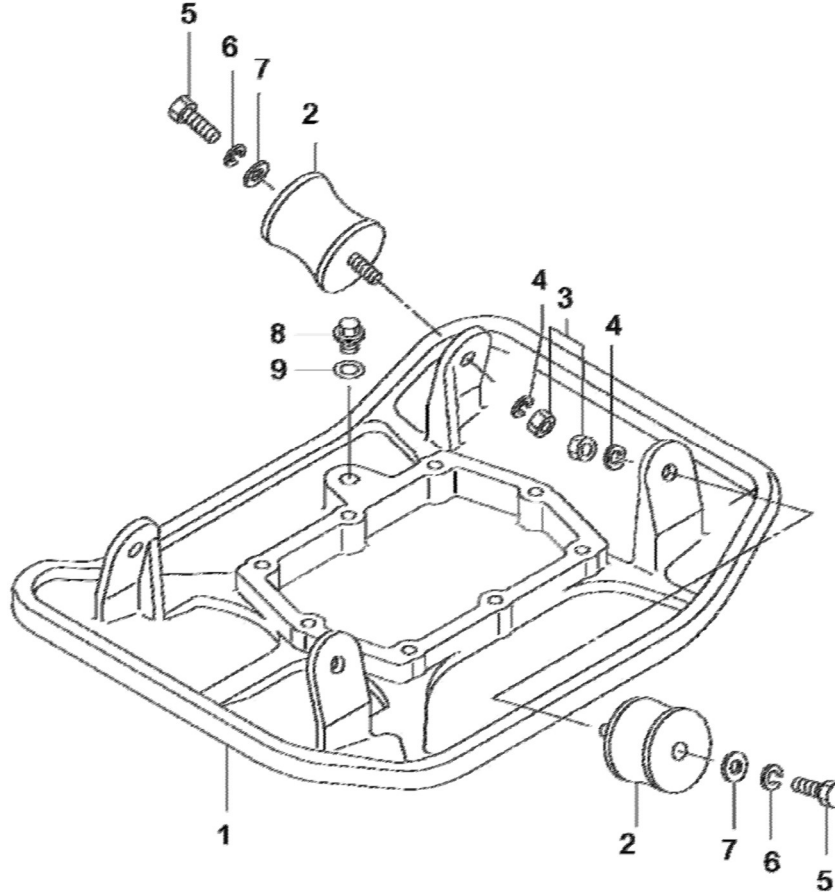
| | |
|--|-----------|
| <u>PARTS LIST 1 – REVERSIBLE HYDRAULIC PLATE COMPACTORS</u> | 4 |
| VIBRATING PLATE: BR1570 | 4 |
| VIBRATING PLATE: BR1570 – PARTS LIST 1 | 4 |
| <u>PARTS LIST 2 – REVERSIBLE HYDRAULIC PLATE COMPACTORS</u> | 5 |
| BODY: BR1570 | 5 |
| BODY: BR1570 - PARTS LIST 2 | 6 |
| <u>PARTS LIST 3 – REVERSIBLE HYDRAULIC PLATE COMPACTORS</u> | 9 |
| VIBRATOR: BR1570 | 9 |
| VIBRATOR: BR1570 – PARTS LIST 3 | 10 |
| <u>PARTS LIST 4 – REVERSIBLE HYDRAULIC PLATE COMPACTORS</u> | 13 |
| CONTROL: BR1570 | 13 |
| CONTROL: BR1570 – PARTS LIST 4 | 13 |
| <u>PARTS LIST 5 – REVERSIBLE HYDRAULIC PLATE COMPACTORS</u> | 15 |
| HAND PUMP ASSEMBLY: BR1570 | 15 |
| HAND PUMP ASSEMBLY: BR1570 – PARTS LIST 5 | 16 |
| <u>PARTS LIST 6 – REVERSIBLE HYDRAULIC PLATE COMPACTORS</u> | 17 |
| WHEELS: BR1570 | 17 |
| WHEELS: BR1570 – PARTS LIST 6 | 17 |



This Page Left Intentionally Blank

PARTS LIST 1 – REVERSIBLE HYDRAULIC PLATE COMPACTORS

VIBRATING PLATE: BR1570

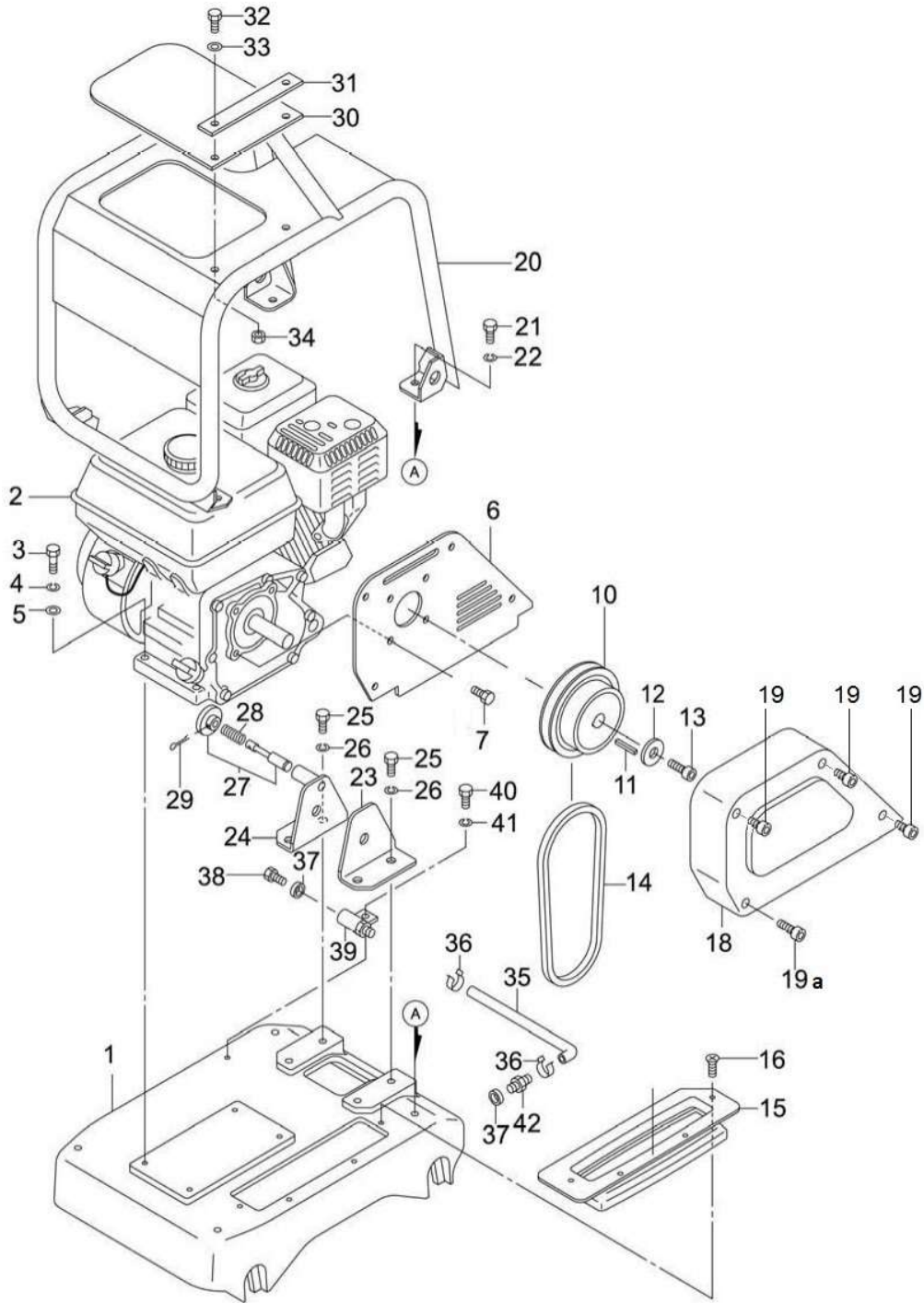


VIBRATING PLATE: BR1570 – PARTS LIST 1

| Item # | Part # | Description | QTY | Remarks |
|--------|-------------|----------------------------------|-----|---------|
| 1 | 65CPC-60-1A | VIBRATING PLATE | 1 | |
| 2 | 651038 | SHOCK ABSORBER | 4 | |
| 3 | 11622 | HEX NUT, M10-1.5 | 4 | |
| 4 | 11621 | LOCKWASHER, M10 | 4 | |
| 5 | 14989 | HHCS, M10-1.5x30MM | 4 | |
| 6 | 11621 | LOCKWASHER, M10 | 4 | |
| 7 | 41516 | WASHER, M10 | 4 | |
| 8 | 651060 | OIL PLUG, M16 | 1 | |
| 9 | 651061 | OIL PLUG SEAL, M16 RUBBER WASHER | 1 | |

PARTS LIST 2 – REVERSIBLE HYDRAULIC PLATE COMPACTORS

BODY: BR1570



BODY: BR1570 - PARTS LIST 2

| Item # | Part # | Description | QTY | Remarks |
|----------------------------------|--------------|------------------------------------|-----|---------|
| 1 | 65CPC-60-1B | BASE | 1 | |
| 2 | 21333-1 | ENGINE, GX160 | 1 | |
| 3 | 10452 | HHCS, M8-1.25x40MM LG | 4 | |
| 4 | 11614 | LOCKWASHER, M8 | 4 | |
| 5 | 11667 | WASHER, M8 | 4 | |
| - | 11504 | SPACER (under engine, not shown) | A/R | |
| 6 | 65CPC-60-6B | BELT COVER BACK PLATE | 1 | |
| 7 | 11256 | FHSCS, 5/16"-24 UNF x 1"LG | 4 | |
| 10 | 651006 | CLUTCH ASSEMBLY | 1 | |
| 11 | 10208 | KEY, 3/16" SQUARE X 1-1/2" | 1 | |
| 12 | 30042 | CLUTCH WASHER | 1 | |
| 13 | 30041 | FHSCS, 5/16-24UNF x 3/4" | 1 | |
| 14 | 15372 | V-BELT, AX31 | 1 | |
| 15 | 65CPC-60-15B | DUST COVER | 1 | |
| 16 | 50621 | FHSCS M6-1.0 x 25MM | 4 | |
| 18 | 65CPC-60-18B | BELT COVER OUT | 1 | |
| 19 | 31105 | SOCKET HEAD BOLT M8 x 1.25 x 60 mm | 3 | |
| 19a | 14986 | SOCKET HEAD BOLT M8 x 1.25 x 30 mm | 1 | |
| 20 | 65CPC-60-20B | GUARD FRAME | 1 | |
| 21 | 13348 | HHCS, M10-1.5x25MM | 4 | |
| 22 | 11621 | LOCKWASHER, M10 | 4 | |
| 23 | 65CPC-60-23B | STAY (L) HANDLE | 1 | |
| 24 | 65CPC-60-24B | STAY (R) HANDLE | 1 | |
| 25 | 14989 | HHCS, M10-1.5x30MM LG | 4 | |
| 26 | 11621 | LOCKWASHER, M10 | 4 | |
| 27 | 651144 | LOCK, HANDLE ASSY | 1 | |
| 28 | 651145 | SPRING, LOCKING HANDLE | 1 | |
| 29 | 651146 | SPRING PIN, M2x16 | 1 | |
| 30 | 651176 | RUBBER ACCESS FLAP ASSEMBLY | 1 | |
| 31 | | | | |
| 32 | 30281 | HHCS, M6-1.0 x 25MM | 2 | |
| 33 | 14447 | WASHER, M6 | 2 | |
| 34 | 50622 | LOCKNUT, M6x1.0 | 2 | |
| Parts list 2 continued next page | | | | |



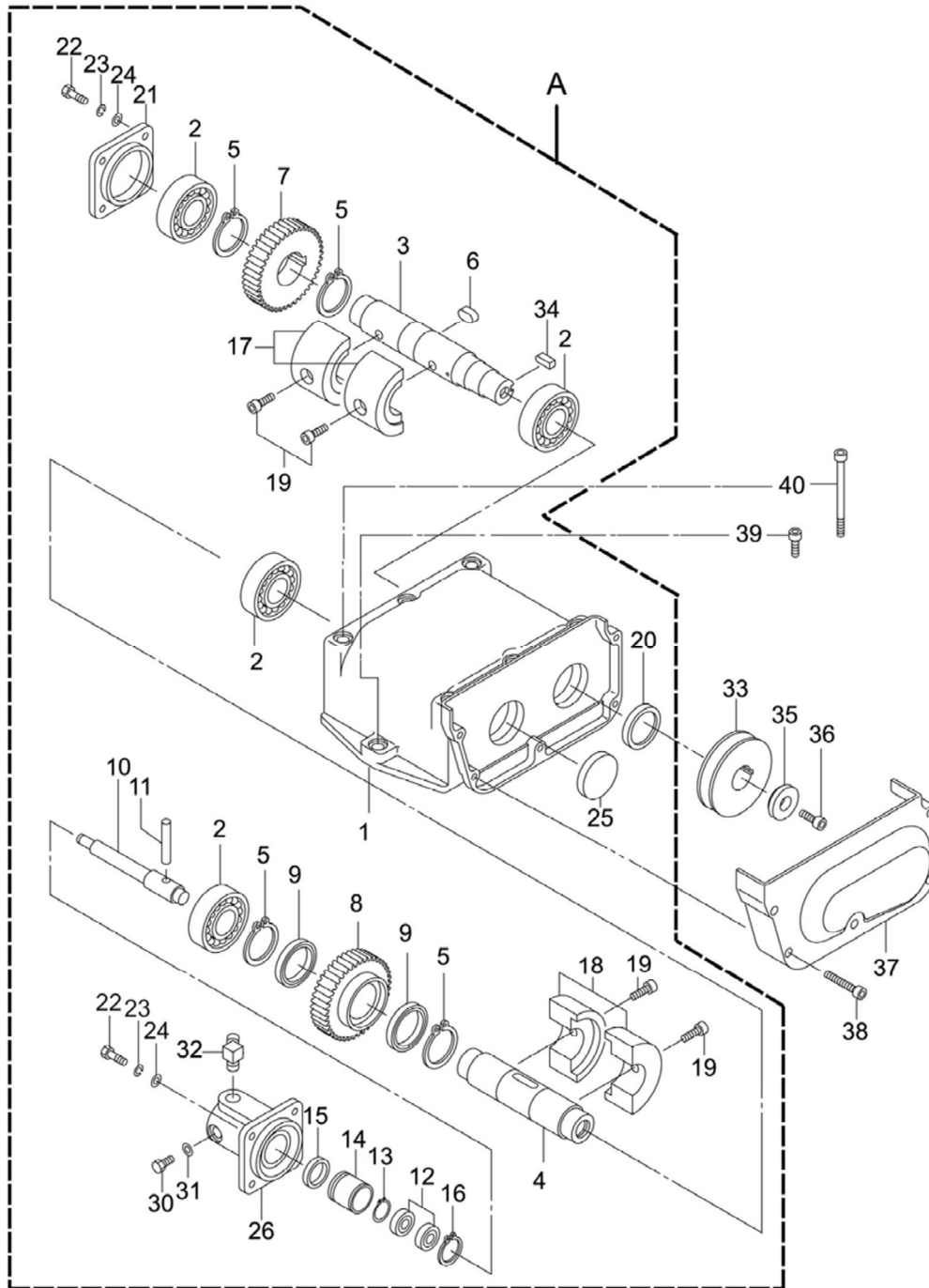
| Parts list 2 continued | | | | Remarks |
|------------------------|--------------|---|---|-----------------------------|
| 35 | 65CPC-60-35B | DRAIN HOSE | 1 | Kit 651178 Only |
| 36 | 65CPC-60-36B | HOSE BAND 11.5D | 2 | Kit 651178 Only |
| 37 | 65CPC-60-37B | WASHER, DRAIN PLUG | 2 | Kit 651178 Only |
| 38 | 65CPC-60-38B | BOLT, DRAIN PLUG | 1 | Kit 651178 Only |
| 39 | 65CPC-60-40B | HOLDER, DRAIN HOSE | 1 | Kit 651178 Only |
| 40 | 10999 | HHCS, M8-1.25 X 20MM | 1 | Individual or 651178 Kit |
| 41 | 11614 | LOCKWASHER, M8 | 1 | Individual or 651178 Kit |
| 42 | 11779 | M12 X 1.5 MALE FITTING | 1 | Individual or 651178 Kit |
| 35-42 | 651178 | OIL DRAIN HOSE ASSEMBLY INCL. #35,36,37,38,39,40,41,42 | | INCL ITEMS 35 to 42 |



This Page Left Intentionally Blank

PARTS LIST 3 – REVERSIBLE HYDRAULIC PLATE COMPACTORS

VIBRATOR: BR1570



VIBRATOR: BR1570 – PARTS LIST 3

| Item # | Part # | Description | QTY | Remarks |
|--------|--------------|----------------------------------|-----|--|
| A | 651020 | VIBRATOR ASSEMBLY | 1 | |
| 1 | 65CPC-95-01A | VIBRATOR CASE | 1 | |
| 2 | 10768 | BEARING 6206 | 4 | |
| 3 | 65CPC-60-3C | ROTARY SHAFT, DRIVE | 1 | Kit 651189 Only |
| 4 | 65CPC-60-4C | ROTARY SHAFT, DRIVEN | 1 | Kit 651188 Only |
| 5 | 31373 | RETAINING RING, 35MM | 4 | Individual or in Kits 651188 or 651189 |
| 6 | 651220 | KEY 10x8x19 | 1 | Individual or in Kit 651189 |
| 7 | 65CPC-60-7C | GEAR (DRIVE) | 1 | Kit 651189 Only |
| 8 | 65CPC-60-8C | GEAR (DRIVEN) | 1 | Kit 651188 Only |
| 9 | 31126 | BEARING 6807C3 | 2 | Individual or in Kit 651188 |
| 10 | 65CPC-60-10C | PISTON ROD | 1 | Kit 651190 Only |
| 11 | 651204 | PIN 8x45 | 1 | Individual or in Kit 651190 |
| 12 | 24242 | BEARING, BALL 6000ZZ | 2 | Individual or in Kit 651190 |
| 13 | 60083 | RETAINING RING, 10MM | 1 | Individual or in Kit 651190 |
| 14 | 65CPC-60-14C | PISTON, 30D | 1 | Kit 651190 Only |
| 15 | 651074 | PISTON SEAL USH-22.4x30x5 | 1 | Individual or in Kit 651190 |
| 16 | 651202 | STOP RING R-26 | 1 | Individual or in Kit 651190 |
| 17 | 65CPC-60-17C | ECCENT ROTATOR, DRIVE | 2 | Kit 651189 Only |
| 18 | 65CPC-60-18C | ECCENT ROTATOR, DRIVEN | 2 | Kit 651188 Only |
| 19 | 10059 | SHCS, M10-1.50x25MM | 4 | Individual or in Kits 651188 or 651189 |
| 20 | 651147 | OIL SEAL, 28x45x8 | 1 | |
| 21 | 65CPC-60-21C | BEARING COVER | 1 | |
| 22 | 10999 | HHCS, M8-1.25X20MM | 8 | |
| 23 | 11614 | LOCKWASHER, M8 | 8 | |
| 24 | 11667 | WASHER, M8 | 8 | |
| 25 | 651152 | SEAL CAP | 1 | |
| 26 | 65CPC-60-26C | CYLINDER | 1 | |
| 30 | 651081 | HYD BOLT M8x12T | 1 | |
| 31 | 651080 | WASHER, SEALING | 1 | |
| 32 | 65CPC-60-32C | HYDRAULIC FITTING | 1 | |
| 33 | 651115 | PULLEY, 3.25" | 1 | |
| | | Parts list 3 continued next page | | |



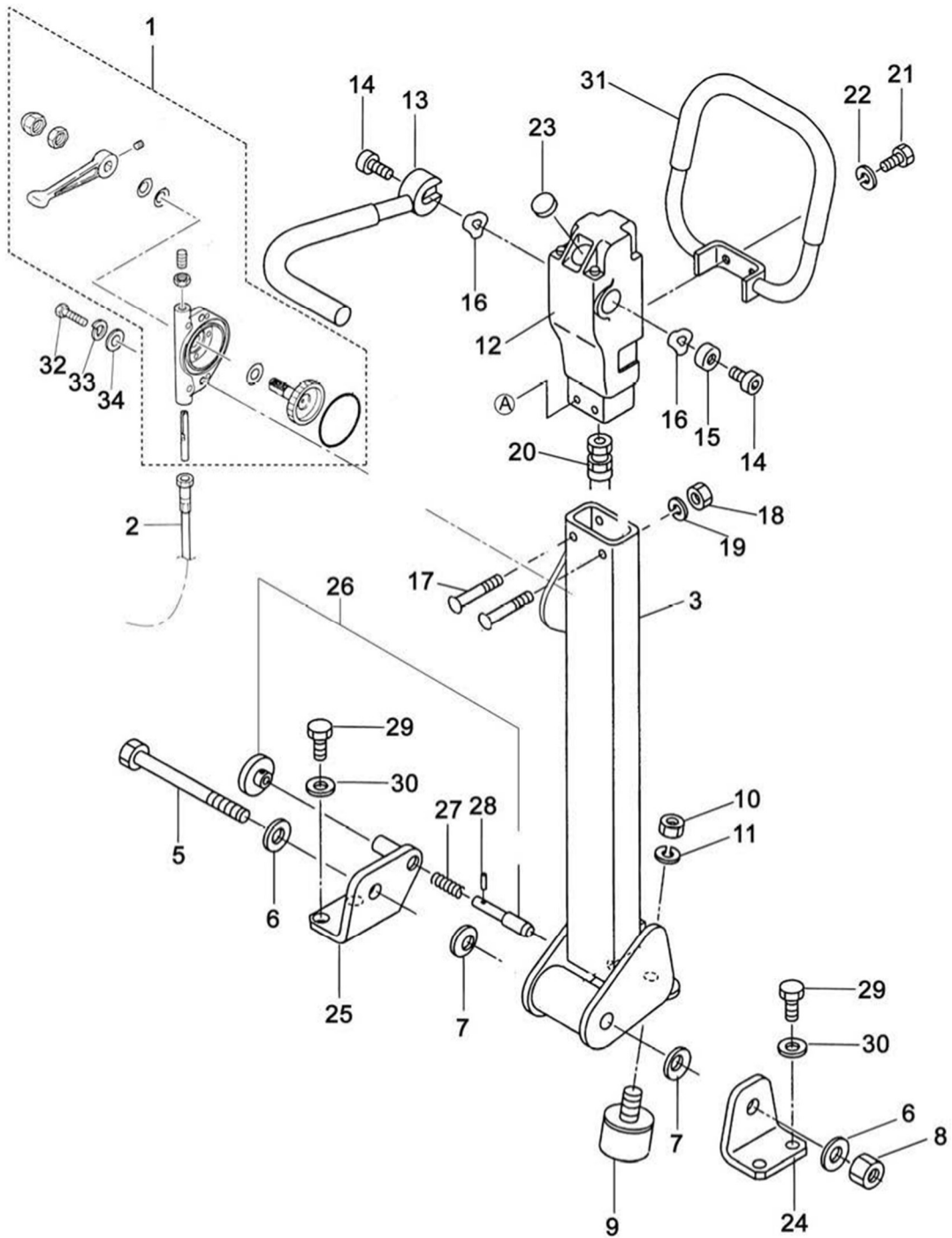
| Parts list 3 continued | | | | |
|------------------------|----------------|--|---|---------------------|
| 34 | 651094 | KEY 7x7x19 | 1 | |
| 35 | 65CPC-60-35C | WASHER, RETAINER | 1 | |
| 36 | 11769 | SHCS, M8-1.25x16MM | 1 | |
| 37 | 65CPC-60-37OIL | BELT COVER (LOWER-OUT) | 1 | |
| 38 | 11495 | SOCKET HEAD BOLT M6x40t | 5 | |
| 39 | 14989 | HHCS, M10-1.5x30MM | 2 | |
| 40 | 18556 | BOLT M10x100T | 6 | |
| | 651188 | DRIVEN SHAFT ASSEMBLY INCL. #5,8,9,18,19 | 1 | |
| | 651189 | DRIVE SHAFT ASSEMBLY INCL. #3,5,6,7,17,19 | 1 | |
| | 651190 | PISTON ASSEMBLY INCL. #10,11,12,13,14,15,16 | 1 | INCL ITEMS 10 to 16 |



This Page Left Intentionally Blank

PARTS LIST 4 – REVERSIBLE HYDRAULIC PLATE COMPACTORS

CONTROL: BR1570

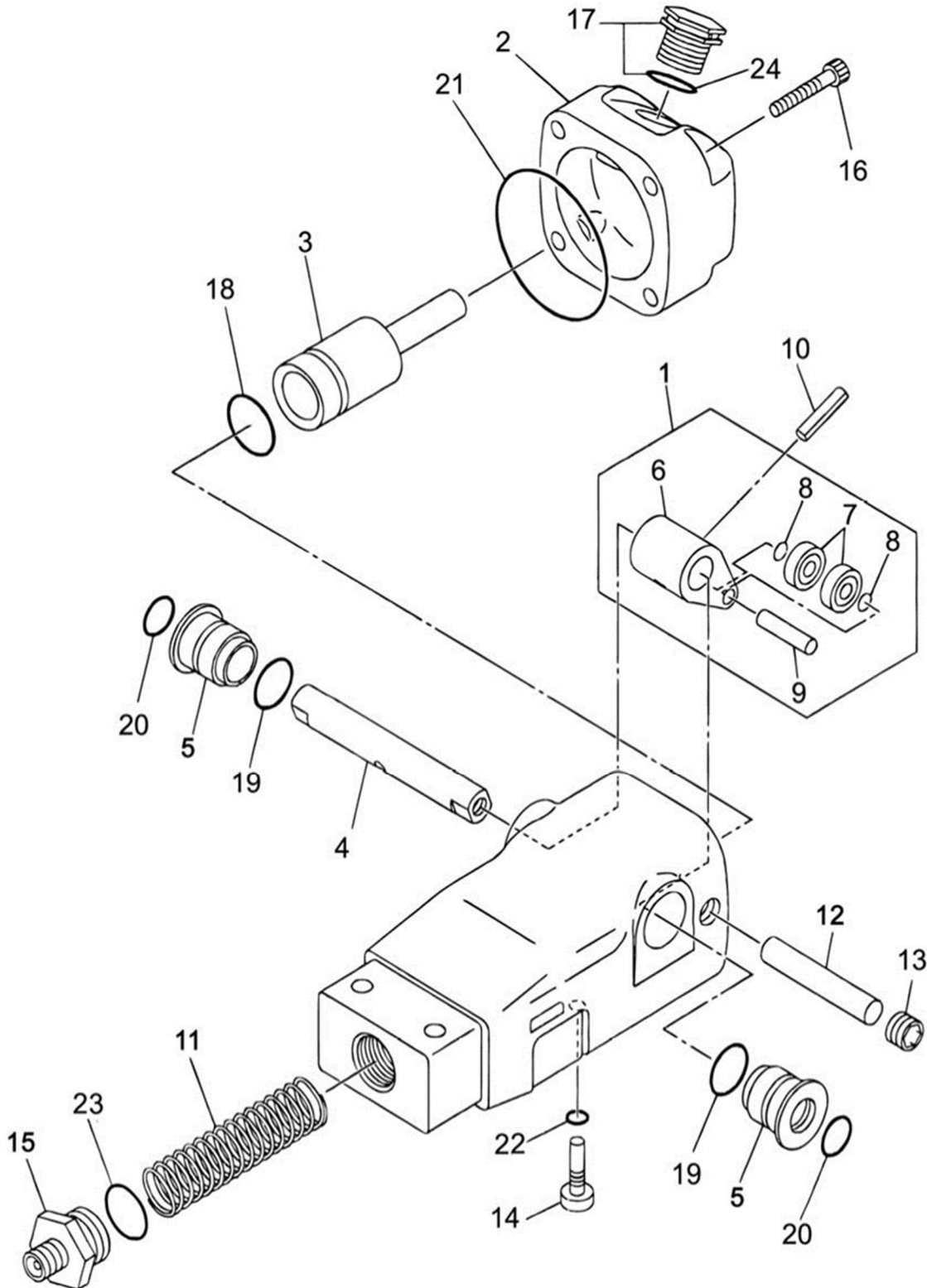


CONTROL: BR1570 – PARTS LIST 4

| Item # | Part # | Description | QTY | Remarks |
|--------|--------------|---------------------------|-----|-------------|
| 1 | 651050 | THROTTLE LEVER ASSEMBLY | 1 | |
| 2 | 651055 | THROTTLE WIRE | 1 | |
| 3 | 651245 | HANDLE ASSEMBLY | 1 | |
| 5 | 60084 | HHCS, M12-1.75x130MM | 1 | |
| 6 | 10993 | WASHER, M12 | 2 | |
| 7 | 65CPC-60-7D | CONICAL SPRING WASHER M12 | 2 | |
| 8 | 10956 | LOCKNUT, M12-1.75 | 2 | |
| 9 | 651037 | RUBBER STOPPER | 1 | |
| 10 | 11622 | HEX NUT, M10-1.5 | 1 | |
| 11 | 11621 | LOCKWASHER, M10 | 1 | |
| 12 | 651040 | HANDLE PUMP ASSEMBLY | 1 | |
| 13 | 651141 | TRAVEL LEVER | 1 | |
| 14 | 30282 | SHCS, M10-1.5x20MM | 2 | |
| 15 | 651247 | COLLAR | 1 | |
| 16 | 651223 | WAVE WASHER 15.5x20x3 | 4 | |
| 17 | 10453 | HHCS, M8-1.25 x 50MM | 2 | |
| 18 | 11617 | LOCKNUT, M8x1.25 | 2 | |
| 19 | 11614 | LOCKWASHER, M8 | 2 | |
| 20 | 65CPC-60-20D | OIL HOSE | 1 | |
| 21 | 10999 | HHCS, M8-1.25 x 20MM | 2 | |
| 22 | 11614 | LOCKWASHER, M8 | 2 | |
| 23 | 651205 | BREATHING CAP | 1 | |
| 24 | 651213 | HANDLE BRACKET (L) | 1 | |
| 25 | 651214 | HANDLE BRACKET (R) | 1 | |
| 26 | 651144 | LOCK, HANDLE ASSY | 1 | |
| 27 | 651145 | SPRING | 1 | |
| 28 | 651146 | SPRING PIN, M2x16 | 1 | |
| 29 | 14989 | HHCS, M10-1.5x30MM | 4 | |
| 30 | 11621 | LOCKWASHER, M10 | 4 | |
| 31 | 651142 | HANDLE GRIP | 1 | |
| 32 | 30281 | HHCS, M6-1.0 x 25MM | 2 | |
| 33 | 14448 | LOCKWASHER, M6 | 2 | |
| 34 | 14447 | WASHER, M6 | 2 | |
| - | 651035 | ON/OFF SWITCH | 1 | (NOT SHOWN) |

PARTS LIST 5 – REVERSIBLE HYDRAULIC PLATE COMPACTORS

HAND PUMP ASSEMBLY: BR1570

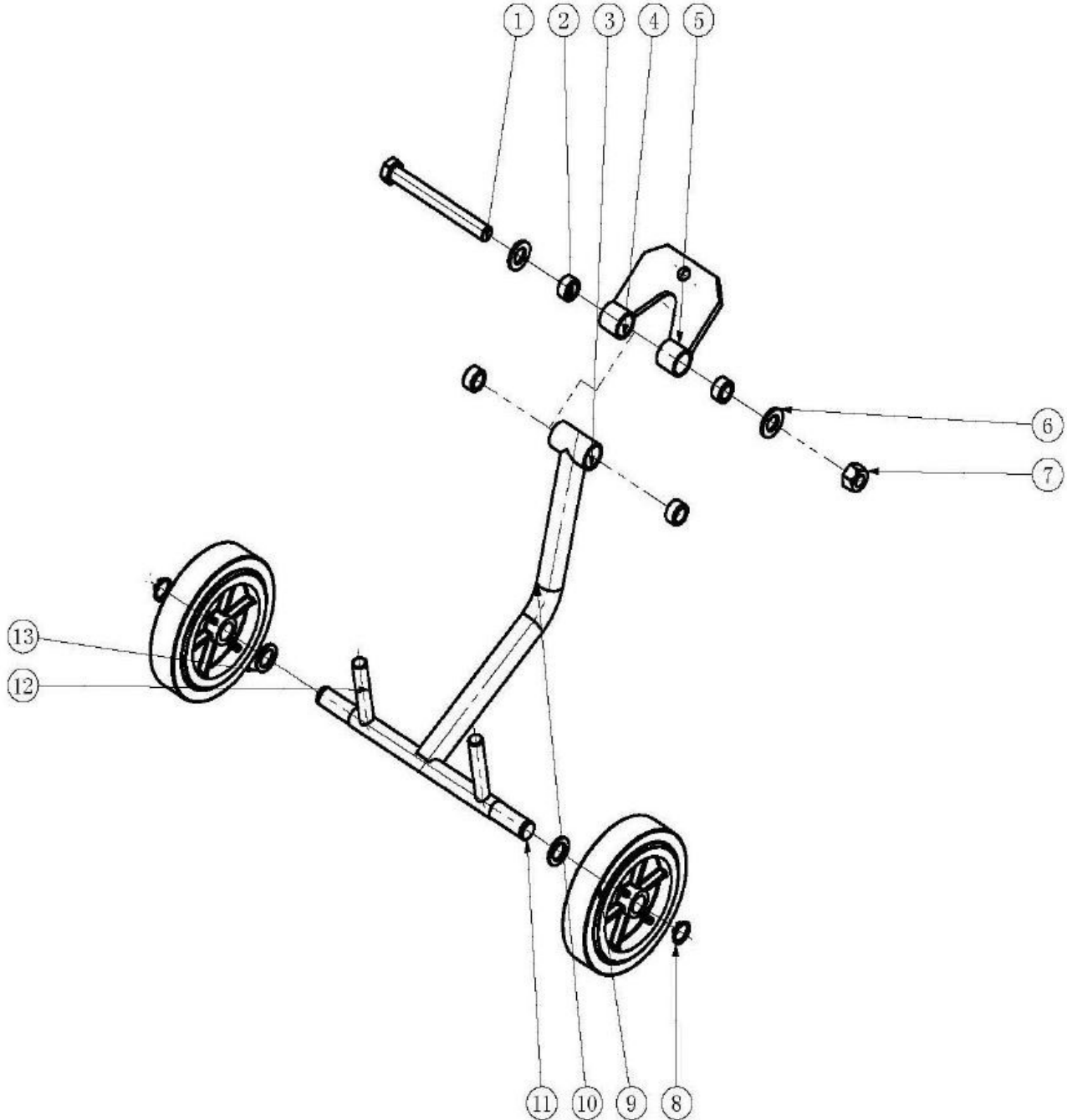


HAND PUMP ASSEMBLY: BR1570 – PARTS LIST 5

| Item # | Part # | Description | QTY | Remarks |
|--------|--------------|---|-----|-----------------|
| 1 | 651130 | CAM ASSEM (PUMP) INCL. #6,7,8,9 | 1 | |
| 2 | 65CPC-60-2E | COVER (HAND PUMP) | 1 | |
| 3 | 651181 | PISTON CP | 1 | |
| 4 | 651131 | CONTROL SHAFT (PUMP) | 1 | |
| 5 | 651209 | BUSHING | 2 | |
| 6 | 65CPC-60-6E | CAM (PUMP) | 1 | Kit 651130 Only |
| 7 | 65CPC-60-7E | BEARING 607ZZ | 2 | Kit 651130 Only |
| 8 | 65CPC-60-8E | SPACER | 2 | Kit 651130 Only |
| 9 | 65CPC-60-9E | PIN M7 x 30MM | 1 | Kit 651130 Only |
| 10 | 651132 | PIN M6 x 26MM | 1 | |
| 11 | 65CPC-60-11E | SPRING (PUMP) | 1 | |
| 12 | 65CPC-60-12E | STOPPER (PUMP) | 1 | |
| 13 | 65CPC-60-13E | PLUG | 1 | |
| 14 | 65CPC-60-14E | STOP PLUG | 1 | |
| 15 | 65CPC-60-15E | HOSE JOINT | 1 | |
| 16 | 31238 | SHCS, M6-1.0X35 | 4 | |
| 17 | 651205 | BREATHER (PUMP) | 1 | |
| 18 | 65CPC-60-18E | O-RING G-25 | 1 | Kit 651129 Only |
| 19 | 65CPC-60-19E | O-RING P-20 | 2 | Kit 651129 Only |
| 20 | 65CPC-60-20E | O-RING P-15 | 2 | Kit 651129 Only |
| 21 | 65CPC-60-21E | O-RING S-67 | 1 | Kit 651129 Only |
| 22 | 65CPC-60-22E | O-RING S-8 | 1 | Kit 651129 Only |
| 23 | 65CPC-60-23E | O-RING S-22 | 1 | Kit 651129 Only |
| 24 | 65CPC-60-24E | O-RING P-18 | 1 | Kit 651129 Only |
| | 651129 | O-RING KIT INCL. #18,19,20,21,22,23,24 | 1 | |

PARTS LIST 6 – REVERSIBLE HYDRAULIC PLATE COMPACTORS

WHEELS: BR1570





WHEELS: BR1570 – PARTS LIST 6

| Item # | Part # | Description | QTY | Remarks |
|--------|--------------|---------------------------|-----|---------|
| 1 | 60084 | HHCS, M12-1.75 x 125MM | 1 | |
| 2 | 65CPC-60-02G | COLLAR | 4 | |
| 3 | 65CPC-60-03G | WHEELS FRAME | 1 | |
| 10 | | | 1 | |
| 11 | | | 1 | |
| 12 | | | 2 | |
| 4 | 65CPC-60-04G | WHEELS PLATE | 2 | |
| 5 | | | 1 | |
| 6 | 14267 | WASHER, M12 | 2 | |
| 7 | 10956 | LOCKNUT, M12-1.75 | 1 | |
| 8 | 651079 | RETAINING RING | 2 | |
| 9 | 651085 | WHEELS | 2 | |
| 13 | 65CPC-60-13G | WASHER DIA 15mm | 2 | |
| | 651096 | WHEEL KIT ASSEMBLY | 1 | |
| | 651042 | RUBBER HOLDER (NOT SHOWN) | 1 | |

CONTRACTOR PROVEN EQUIPMENT SINCE 1946



BARTELL GLOBAL

170 Traders Blvd E
Mississauga, ON L4Z 1W7
Canada

4701 Allmond Avenue
Louisville, KY 40209
United States

200 Commerce Drive
Freehold, NJ 07728
United States

Honeyholes Lane
Dunholme, Lincoln LN2 3SU
United Kingdom

