



**BARTELL
GLOBAL**

**PARTS
BOOK**

POWER BUGGIES

DB17, DB21



Doc. # PB-B19035
Orig. Rel. – 08/2017
Curr Rev. – 07
After S/N: 723694



www.BARTELLGLOBAL.com

Bartell Morrison Inc.
170 Traders Blvd E
Mississauga, Ontario, Canada
L4Z 1W7
Tel: (647) 953-4100
Fax: (647) 953-4101

Bartell Morrison USA LLC
200 Commerce Drive, Unit A
Freehold, NJ, USA
07728
Tel: (848) 225-8100
Fax: (848) 225-8101

SPE International Ltd
Honeyholes Lane
Dunholme, Lincoln, England
LN2 3SU
Tel: 01673 860709
Fax: 01673 861119

Innovatech
4701 Allmond Ave
Louisville, Kentucky, USA
40209
Tel: (425) 405-9100
Fax: (425) 405-9101

ORIGINAL LANGUAGE

© 2023 Bartell Morrison Inc.

No part of this work may be reproduced or transmitted in any form or by any means, electronic or mechanical, including photocopying and recording, or by any information storage or retrieval system without the prior written permission of Bartell Morrison Inc. unless such copying is permitted by federal copyright laws.

Address inquiries or reference permissions care of:
Bartell Morrison Inc., 170 Traders Blvd E., Mississauga, Ontario, Canada, L4Z 1W7

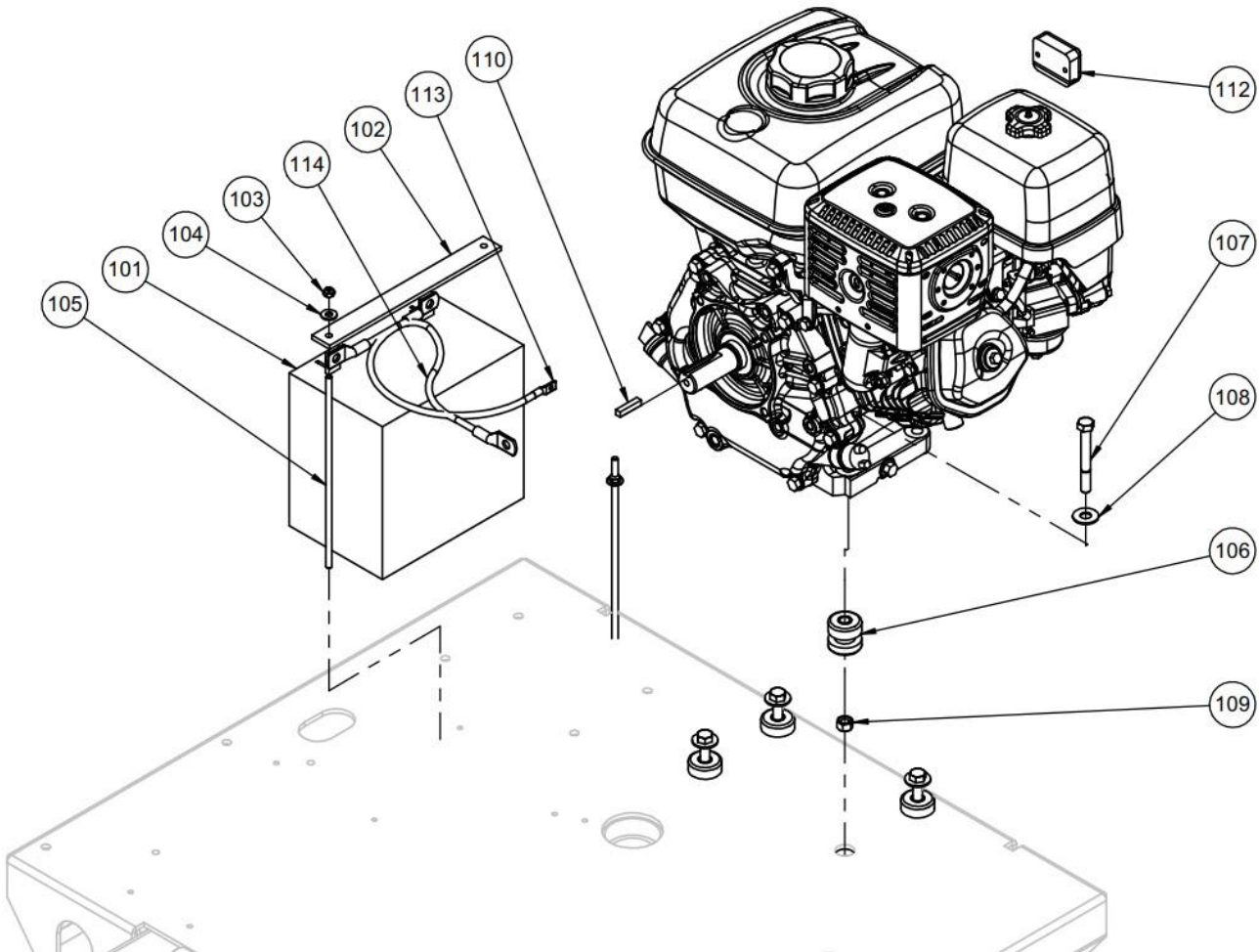
REV.	DATE	DESCRIPTION	APPROVED BY:
07	04/04/23	Updated for S/N after 723694 with new pump	A. Nakkila

TABLE OF CONTENTS

PARTS LIST 1 – BUGGY	4
ENGINE AND BATTERY	4
ENGINE AND BATTERY – PARTS LIST 1	5
PARTS LIST 2 – BUGGY	6
PUMP ASSEMBLY	6
PUMP ASSEMBLY – PARTS LIST 2	6
PARTS LIST 3 – BUGGY	8
OIL TANK ASSEMBLY	8
OIL TANK ASSEMBLY – PARTS LIST 3	8
PARTS LIST 4 – BUGGY	10
DUMP VALVE ASSEMBLY	10
DUMP VALVE ASSEMBLY – PARTS LIST 4	11
PARTS LIST 5 – BUGGY	12
DUMP CYLINDER ASSEMBLY	12
DUMP CYLINDER ASSEMBLY – PARTS LIST 5	13
PARTS LIST 6 – BUGGY	14
FRONT WHEEL ASSEMBLY	14
FRONT WHEEL ASSEMBLY – PARTS LIST 6	15
PARTS LIST 7 – BUGGY	16
STEERING CONTROL ASSEMBLY	16
STEERING CONTROL ASSEMBLY – PARTS LIST 7	16
PARTS LIST 8 – BUGGY	18
REAR WHEEL ASSEMBLY	18
REAR WHEEL ASSEMBLY – PARTS LIST 8	19
PARTS LIST 9 – BUGGY	20
PLATFORM AND PARKING BRAKE ASSEMBLY	20
PLATFORM AND PARKING BRAKE – PARTS LIST 9	21
PARTS LIST 10 – BUGGY	22
BUCKET ASSEMBLY	22
PLATFORM AND BRAKE ASSEMBLY – PARTS LIST 10	22
PARTS LIST 11 – BUGGY	24
ENGINE COMPARTMENT ASSEMBLY	24
ENGINE COMPARTMENT ASSEMBLY – PARTS LIST 11	25
PARTS LIST 12 – BUGGY	26
LIFTING POINT ASSEMBLY	26
LIFTING POINT ASSEMBLY – PARTS LIST 12	27

PARTS LIST 1 – BUGGY

ENGINE AND BATTERY



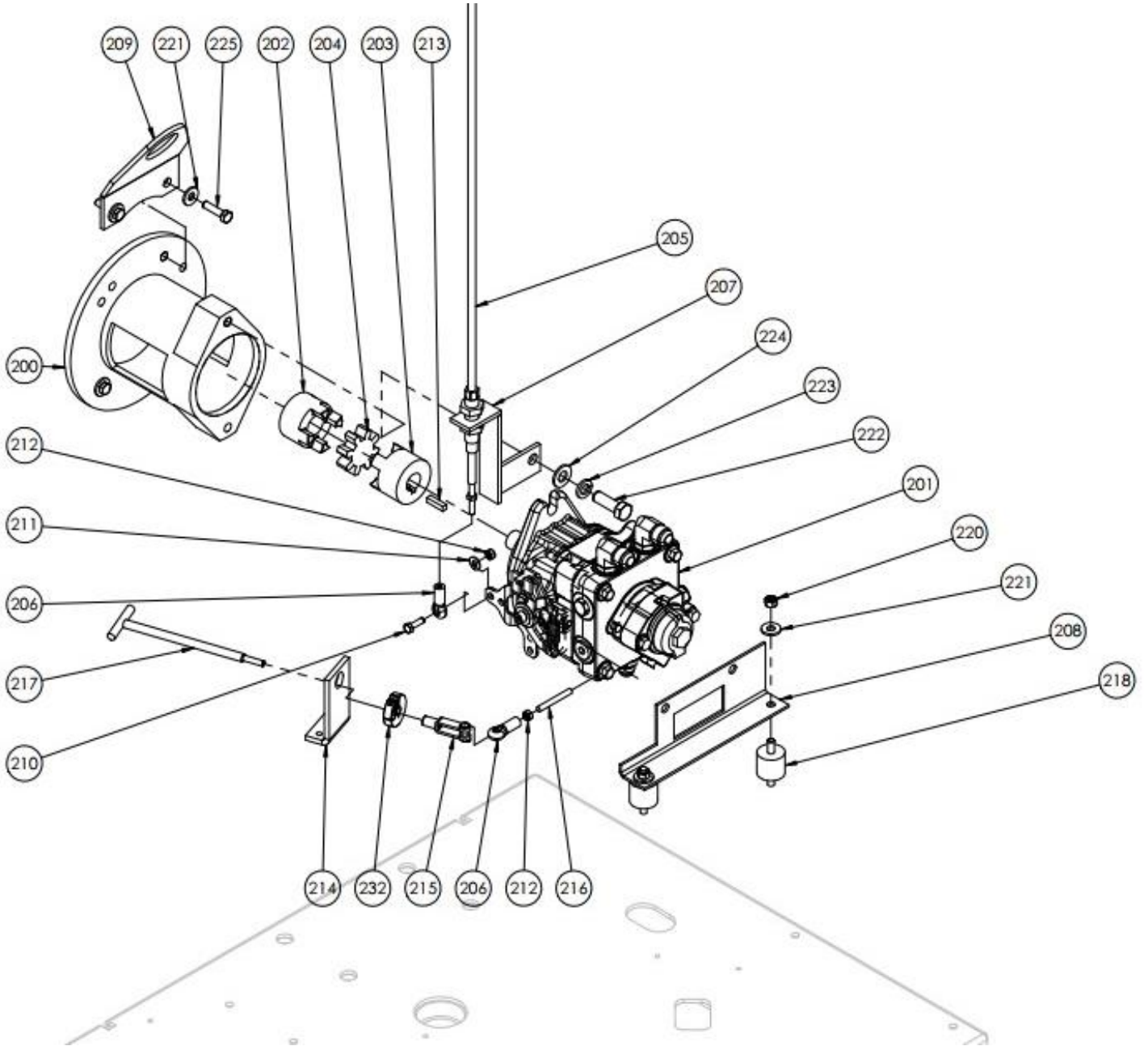
ENGINE AND BATTERY – PARTS LIST 1

Item #	Part #	Description	QTY	Remarks
*101	60005	BATTERY, 12V	1	
*102	60003	HOLD DOWN BAR	1	
*103	50622	LOCKNUT - M6	2	
*104	14447	FLAT WASHER, M6	2	
*105	60007	THREADED ROD, M6	2	
106	10187	ISOLATION MOUNT	4	
107	13888	(DB17) HHCS 3/8"-16 X 3" LG	4	
	10103	(DB21) HHCS 5/16"-18 x 3" LG		
108	10905	(DB17) FLAT WASHER 3/8"	4	
	11586	(DB21) FLAT WASHER 5/16"		
109	10317	(DB17) LOCKNUT 3/8"-16	4	
	10103	(DB21) LOCKNUT 5/16"-18		
110	10608	KEY, 1/4" SQUARE X 1 5/32"LG	1	
112	11488	HOUR METER	1	
*113	60004	BATTERY WIRE, POSITIVE	1	
*114	60006	BATTERY WIRE, NEGATIVE	1	
ENGINE	21335	HONDA GX390 – RECOIL START	1	
	21356	HONDA GX390 – ELECTRIC START		
	21390	VANGUARD 18HP – ELECTRIC START		

*ELECTRIC START VERSIONS ONLY

PARTS LIST 2 – BUGGY

PUMP ASSEMBLY

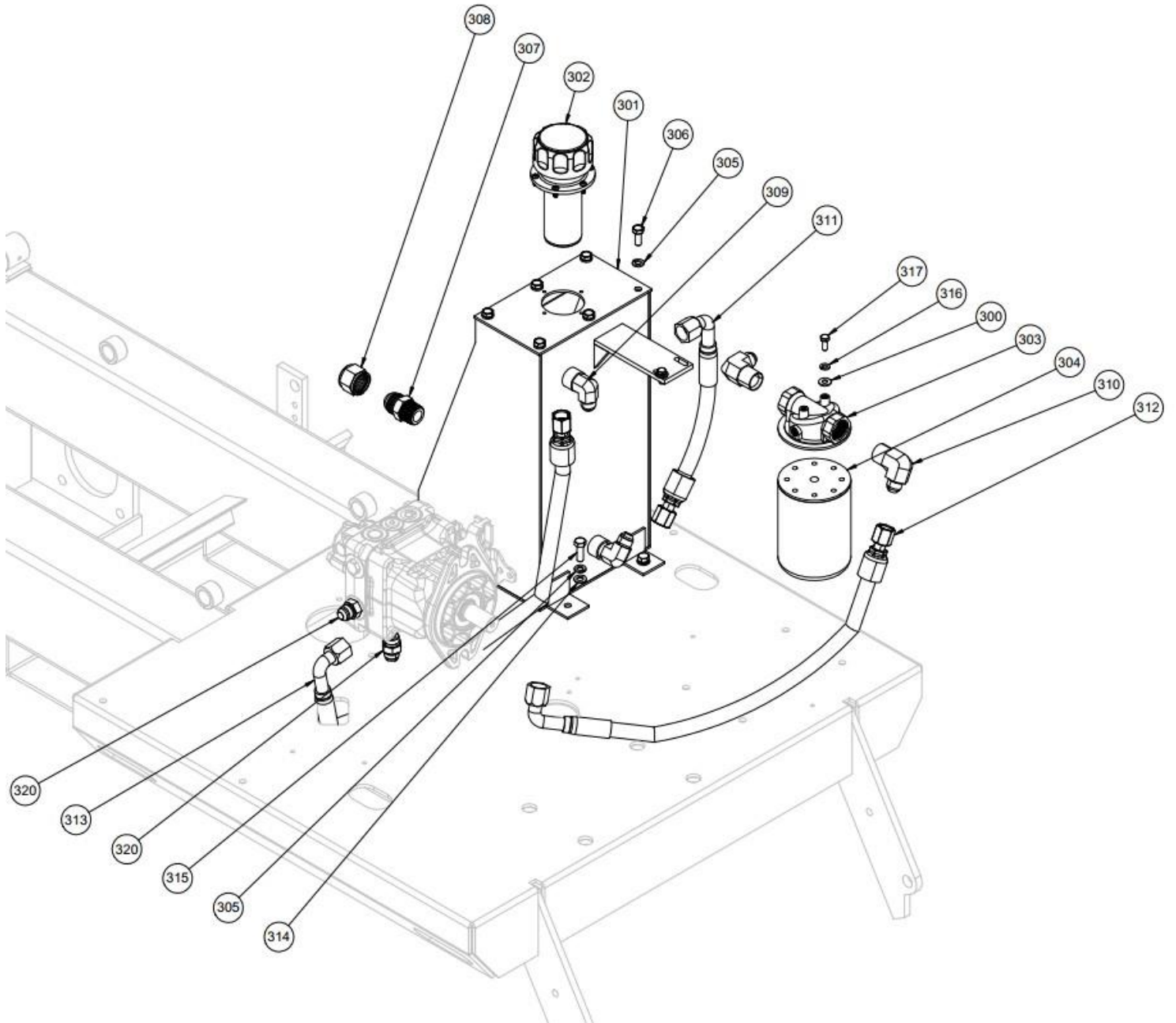


PUMP ASSEMBLY – PARTS LIST 2

Item #	Part #	Description	QTY	Remarks
200	60331	BELL HOUSING	1	
201	60330	PUMP, HYDRAULIC	1	
202	60332	JAW COUPLING, 1" BORE, ¼" KEY	1	
203	60333	JAW COUPLING, 7/8" BORE, ¼" KEY	1	
204	60334	COUPLING, SPIDER	1	
205	61152	THROTTLE CONTROL CABLE	1	
206	60263	ROD END, 1/4"-28 x 1/4" BORE	1	
207	60524	THROTTLE CABLE MOUNT	1	
208	60523	PUMP BRACKET SUPPORT	1	
209	60528	LIFT BRACKET	1	
210	51058	HHCS, M6-1.0x20MM LG	1	
211	14447	WASHER, M6	1	
212	11865	LOCKNUT, NYLON, M6-1.0	3	
213	10608	KEY, 1/4" SQ X 1 5/32" LG	1	
214	60549	NEUTRAL LEVER BRACKET	1	
215	60551	YOKE, ROD END, 1/4"-20	1	
216	60554	NEUTRAL LEVER ROD, M6-1.0	1	
217	60550	T-BAR, NUETRAL LEVER	1	
218	12089	VIBRATION ISOLATION MOUNT	2	
220	10108	LOCKNUT, NYLON, 5/16-18UNC	2	
221	10919	WASHER, 5/16"	2	
222	30019	HHCS, 1/2-13 x 1 1/2" LG	2	
223	10009	LOCKWASHER, ½"	2	
225	10407	HHCS, 5/16-18 X 1-1/4" LG	4	
232	60556	CLAMP COLLAR, QUICK RELEASE	1	

PARTS LIST 3 – BUGGY

OIL TANK ASSEMBLY

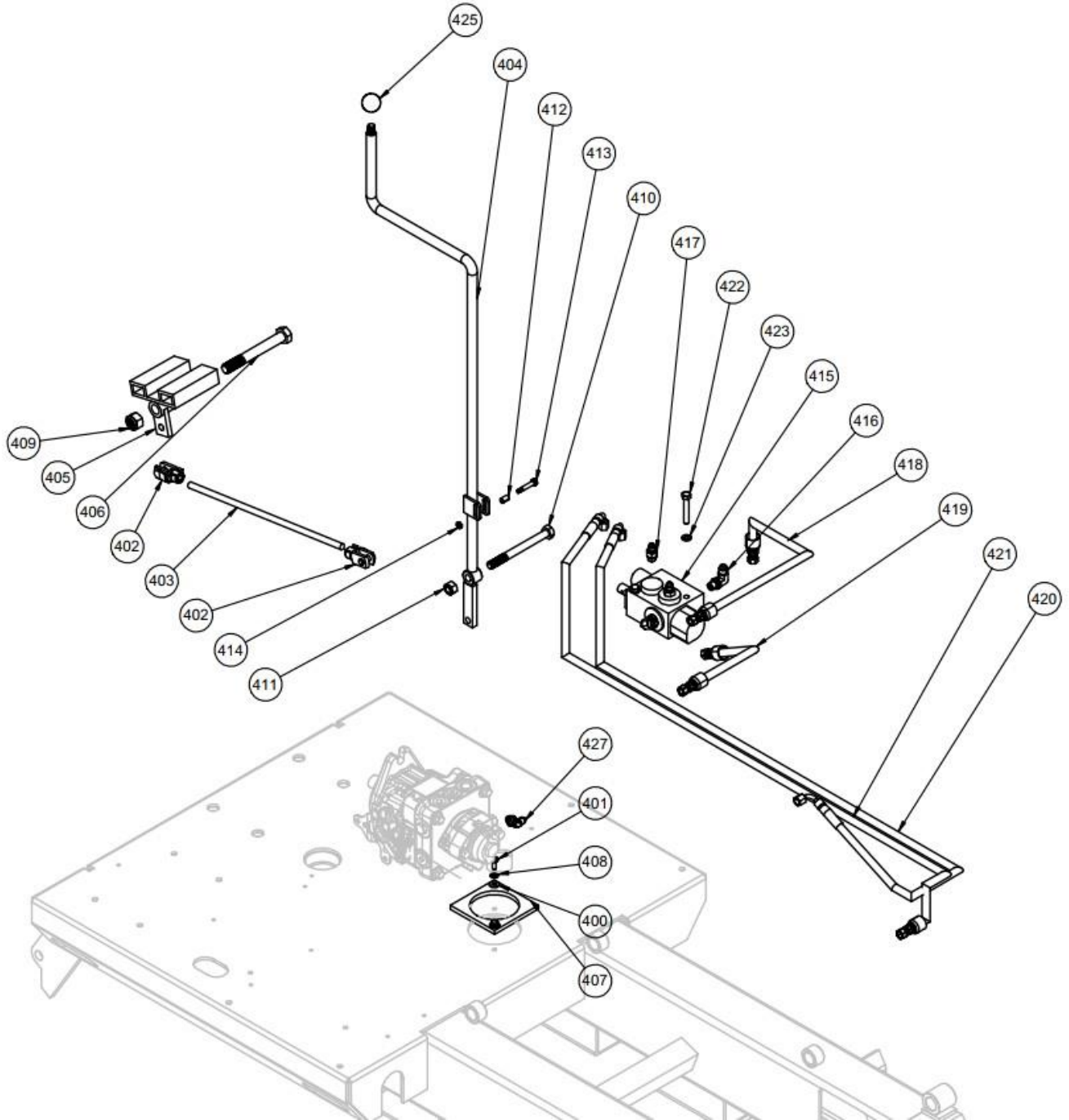


OIL TANK ASSEMBLY – PARTS LIST 3

Item #	Part #	Description	QTY	Remarks
300	14447	WASHER, M6	2	
301	60530	HYDRAULIC OIL TANK	1	
302	61055	OIL CAB BASE + FILTER ASSY	1	
303	61060	IL FILTER HEAD - SPIN-ON	1	
304	61065	OIL FILTER CARTRIDGE-HYDRAULIC	1	
305	11614	LOCKWASHER, M8	10	
306	10999	HHCS, M8-1.25 x 20MM LG	6	
307	60537	FITTING, HYD, 1-1/16" MJIC-3/4" MNPT	1	
308	60555	CAP, HYD, 1-1/16" FJIC	1	
309	60535	FITTING, HYD, 1/2" NPT-8MJIC	2	
310	60561	FITTING, 90, HYD, -8MJIC-3/4" MNPT	2	
311	60558	HOSE, HYD, #8, 12" STR-90 DEG	1	
312	60563	HOSE, HYD, #8, 24" STR-90 DEG	1	
313	60557	HOSE, HYD, #8, 27" STR-90 DEG	1	
314	11667	WASHER, M8	4	
315	11619	HHCS, M8-1.25 x 25MM LG	4	
316	14448	LOCKWASHER, M6	2	
317	11746	HHCS, M6-1.0 x 16MM LG.	2	
320	60545	FITTING, HYD, 3/4" MJIC-3/4" MORB	2	

PARTS LIST 4 – BUGGY

DUMP VALVE ASSEMBLY

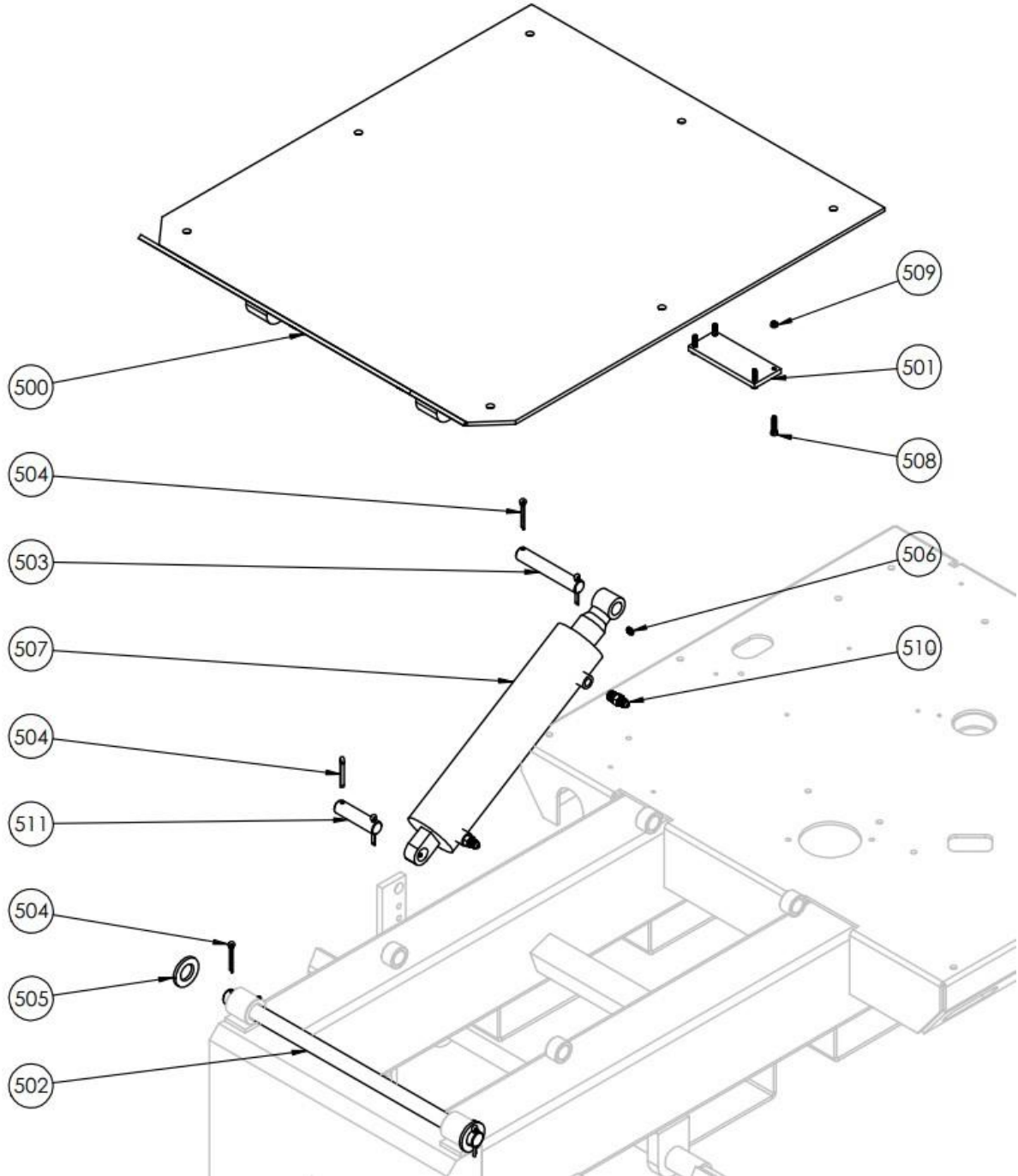


DUMP VALVE ASSEMBLY – PARTS LIST 4

Item #	Part #	Description	QTY	Remarks
400	14447	WASHER, M6	2	
401	11746	HHCS, M6-1.0x16MM LG	2	
402	60080	YOKE WITH CLEVIS PIN, M10	2	
403	60081	ROD, DUMPING	1	
404	60274	DUMPING LEVER	1	
405	60082	DUMP PEDAL	1	
406	60089	HHCS, M16-1.5 x 130MM LG	1	
407	60120	POLY EDGE PROTECTOR	1	
408	11620	LOCKWASHER, M6	2	
409	60138	LOCKNUT, M16-2.0	1	
410	60084	HHCS, M12-1.75 x 130MM LG	1	
411	10956	LOCKNUT, M12-1.75	1	
412	22662	SLEEVE, ID.260, OD.335, L1/2	1	
413	11912	SHSB, 1/4"DIA x 1"L SHOULDER, #10-24	1	
414	12413	LOCKNUT, #10	1	
415	897758	VALVE, DUMPER CONTROL	1	
416	897093	HYD. FITTING,90 DEG ELBOW	2	
417	897462	FITTING, HYD, 1/4MJIC-1/2MORB	2	
418	60539	HOSE, HYD, #4, 16" STR-STR	1	
419	60543	HOSE, HYD, #4, 10" STR-STR	1	
420	60110	HOSE, DUMP VALVE TO CYL RETRAC	1	
421	60111	HOSE, DUMP VALVE TO CYL EXTEND	1	
422	10403	HHCS, 5/16"-18NC X 2.00" LG	2	
423	10402	LOCKWASHER, 5/16"	2	
425	60077	DUMPING KNOB	1	
427	60268	FITTING, HYD, 45 DEG,1/4" MJIC - 1/4" MORB	2	

PARTS LIST 5 – BUGGY

DUMP CYLINDER ASSEMBLY

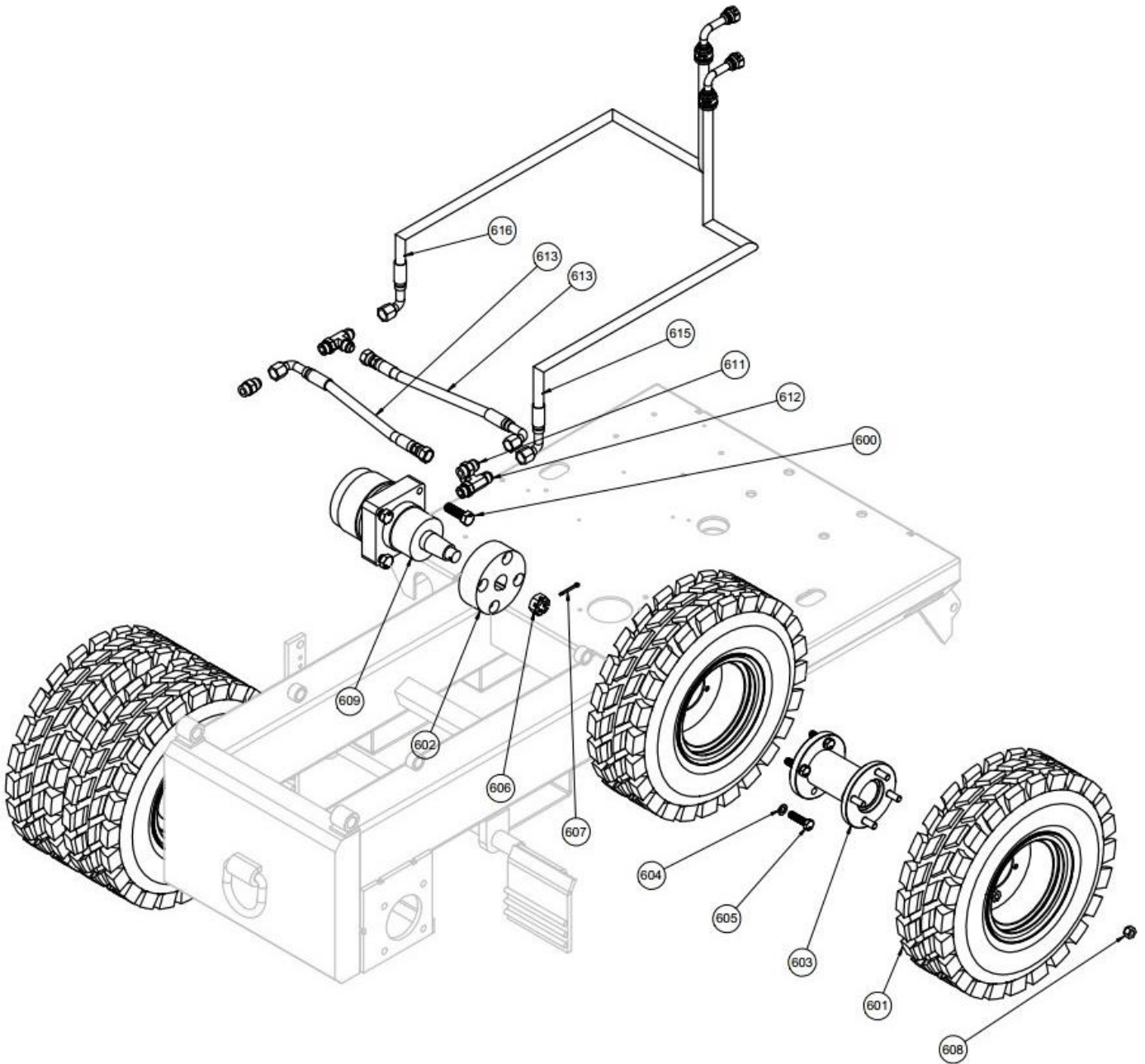


DUMP CYLINDER ASSEMBLY – PARTS LIST 5

Item #	Part #	Description	QTY	Remarks
500	60215	BUCKET SUPPORT PLATE	1	
501	60221	POLY CUSHION PLATE	2	
502	60224	ROD, BUCKET HINGE	1	
503	60102	PIN, TOP, DUMP CYLINDER	1	
504	60180	COTTER PIN, M5 x 40MM, ZP	6	
505	60226	WASHER, M22	2	
506	60104	GREASE FITTING	4	
507	60526	HYDRAULIC CYLINDER	1	
508	60222	HHCS, M5-0.8 x 25MM LG.	8	
509	30843	LOCKNUT, M5-0.8, ZP	8	
510	60107	FITTING, HYD, 1/4MJIC-1/4MPT	2	
511	60103	PIN, BOTTOM, DUMP CYLINDER	1	

PARTS LIST 6 – BUGGY

FRONT WHEEL ASSEMBLY

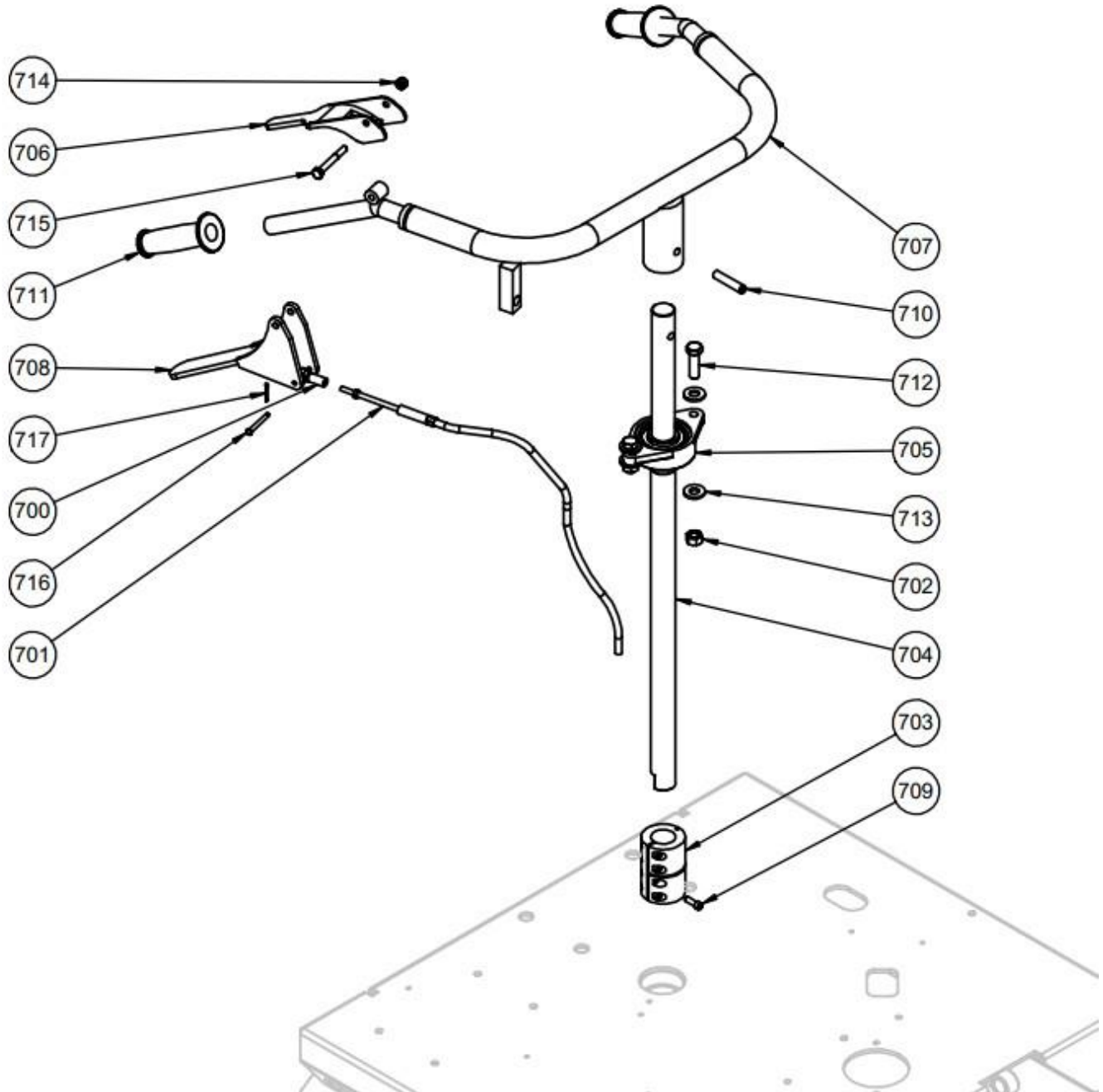


FRONT WHEEL ASSEMBLY – PARTS LIST 6

Item #	Part #	Description	QTY	Remarks
600	60136	HHCS, M16-2.0 x 50MM LG	8	
601	60053	FRONT WHEEL (FOAM)	4	
	60051	FRONT WHEEL (AIR)	4	
602	62202	WHEEL HUB, CONNECTION BLOCK	2	
603	60132	CONNECTING HUB	2	
604	10735	LOCKWASHER, M12	8	
605	60134	HHCS, M12-1.75 x 45MM LG	8	
606	60181	CASTLE NUT, M24	2	
607	60225	COTTER PIN, M5 X 36MM	2	
608	60135	WHEEL NUT, M12-1.5	8	
609	760147	MOTOR, HYDRAULIC	2	
611	60015	FITTING, HYD, 5/8" MJIC- 5/8" MORB	2	
612	897466	FITTING, HYD, 5/8" MJIC- 5/8" MORB TEE	2	
613	60256	HOSE, MOTOR TO MOTOR	2	
615	60265	HOSE, PUMP TO LEFT DRIVE MOTOR	1	
616	60266	HOSE, PUMP TO RIGHT DRIVE MOTOR	1	

PARTS LIST 7 – BUGGY

STEERING CONTROL ASSEMBLY

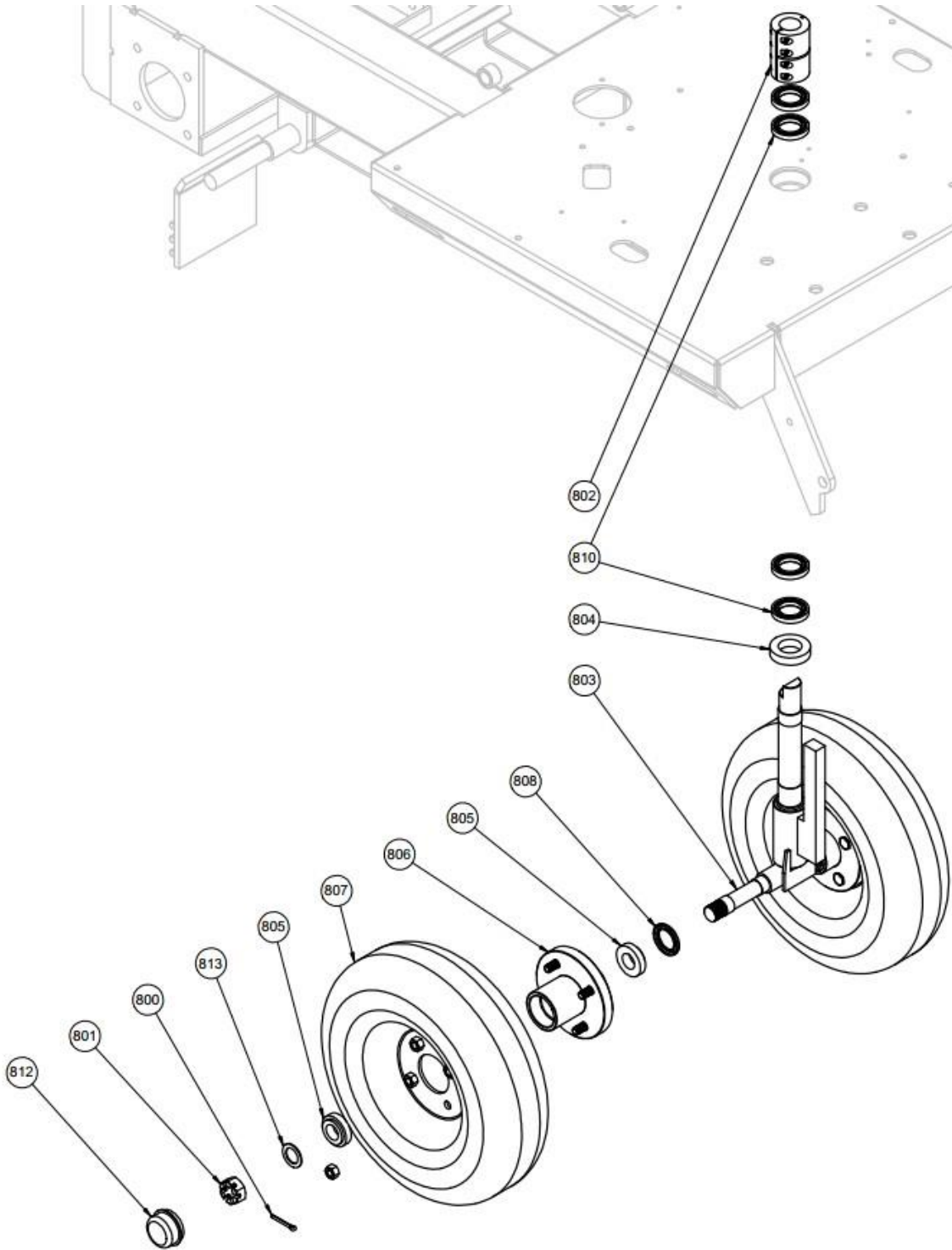


STEERING CONTROL ASSEMBLY – PARTS LIST 7

Item #	Part #	Description	QTY	Remarks
700	60263	ROD END, 1/4"-28 x 1/4" BORE	1	
701	61152	THROTTLE CONTROL CABLE	1	
702	10956	LOCKNUT, M12-1.75	2	
703	60175	LOCKING SLEEVE	1	
704	60164	STEERING SHAFT	1	
705	60167	BEARING, PILLOW BLOCK	1	
706	61158	REVERSING LEVER, TOP HANDLE	1	
707	60525	HANDLEBAR	1	
708	60527	THROTTLE LEVER	1	
709	10042	SHCS, M6-1.0 x 20MM LG	4	
710	60170	SPRING PIN, M10 X 50MM	1	
711	21717	HANDLE GRIP	2	
712	10955	HHCS, M12-1.75 x 40MM LG.	2	
713	14267	WASHER, FLAT, M12	4	
714	10108	LOCKNUT, 5/16-18 UNC	1	
715	10140	HHCS, 5/16-18 UNC x 2 1/2" LG.	1	
716	60154	CLEVIS PIN, 6MM x 45MM	1	
717	60155	COTTER PIN, M2.5 x 16MM	1	

PARTS LIST 8 – BUGGY

REAR WHEEL ASSEMBLY

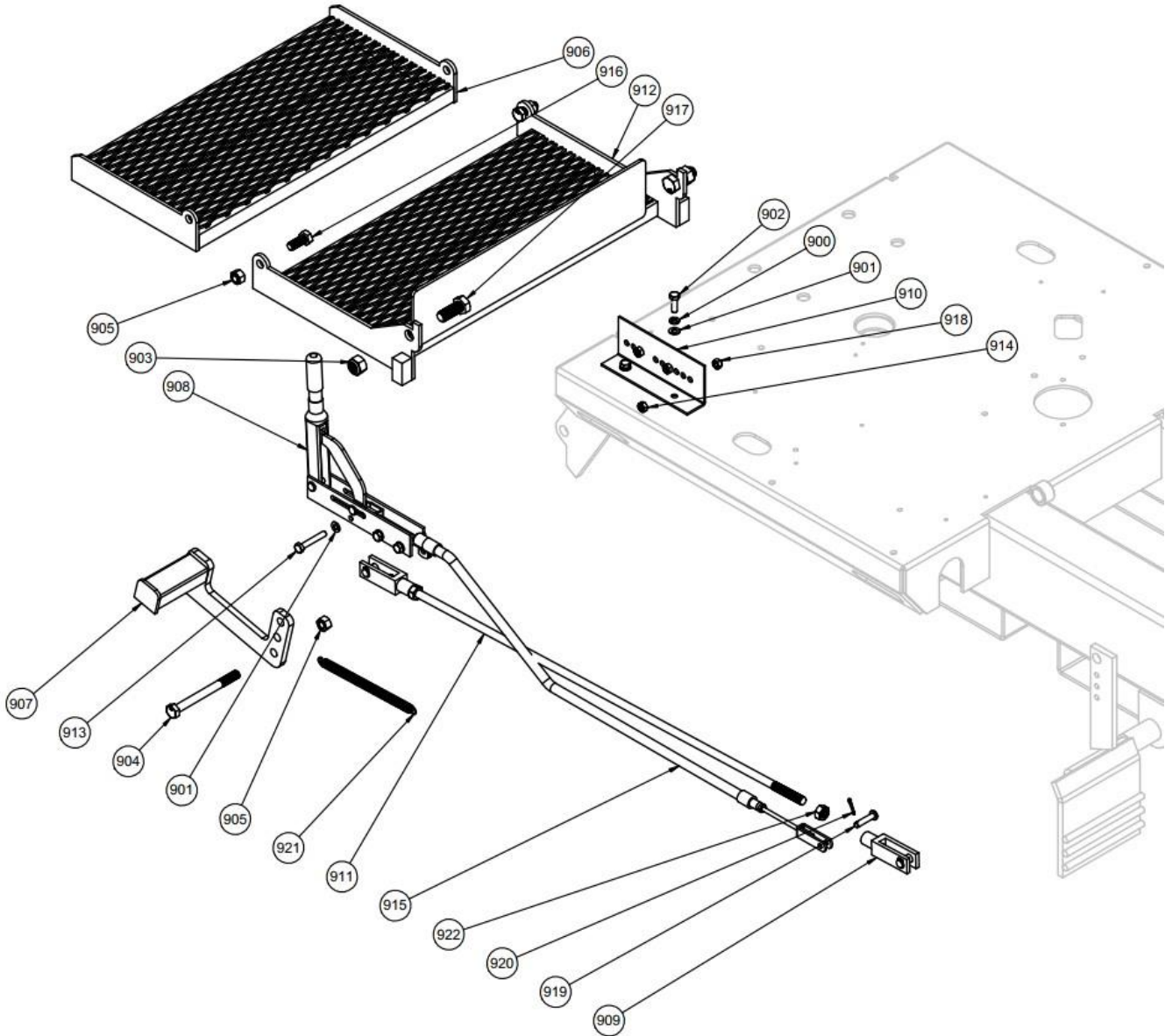


REAR WHEEL ASSEMBLY – PARTS LIST 8

Item #	Part #	Description	QTY	Remarks
800	60180	COTTER PIN, M5 x 40MM	2	
801	60181	CASTLE NUT, M24	2	
802	60175	LOCKING SLEEVE	1	
803	60177	AXLE, STEERING	1	
804	60176	BEARING, THRUST	1	
805	60178	BEARING, TAPER CONE	4	Must buy both cup + cone
	60280	BEARING, TAPER CUP	4	
806	60179	HUB	2	
807	60183	REAR TIRE (AIR)	2	
	60185	REAR TIRE (FOAM)	2	
808	60186	INNER BEARING HUB SEAL	2	
809	60135	WHEEL NUT, M12-1.5	8	
810	60173	BEARING, BALL	4	
812	60182	DUST CAP, PLAIN	2	
	60278	DUST CAP WITH GREASE NIPPLE	2	
813	60174	BUSHING	2	

PARTS LIST 9 – BUGGY

PLATFORM AND PARKING BRAKE ASSEMBLY

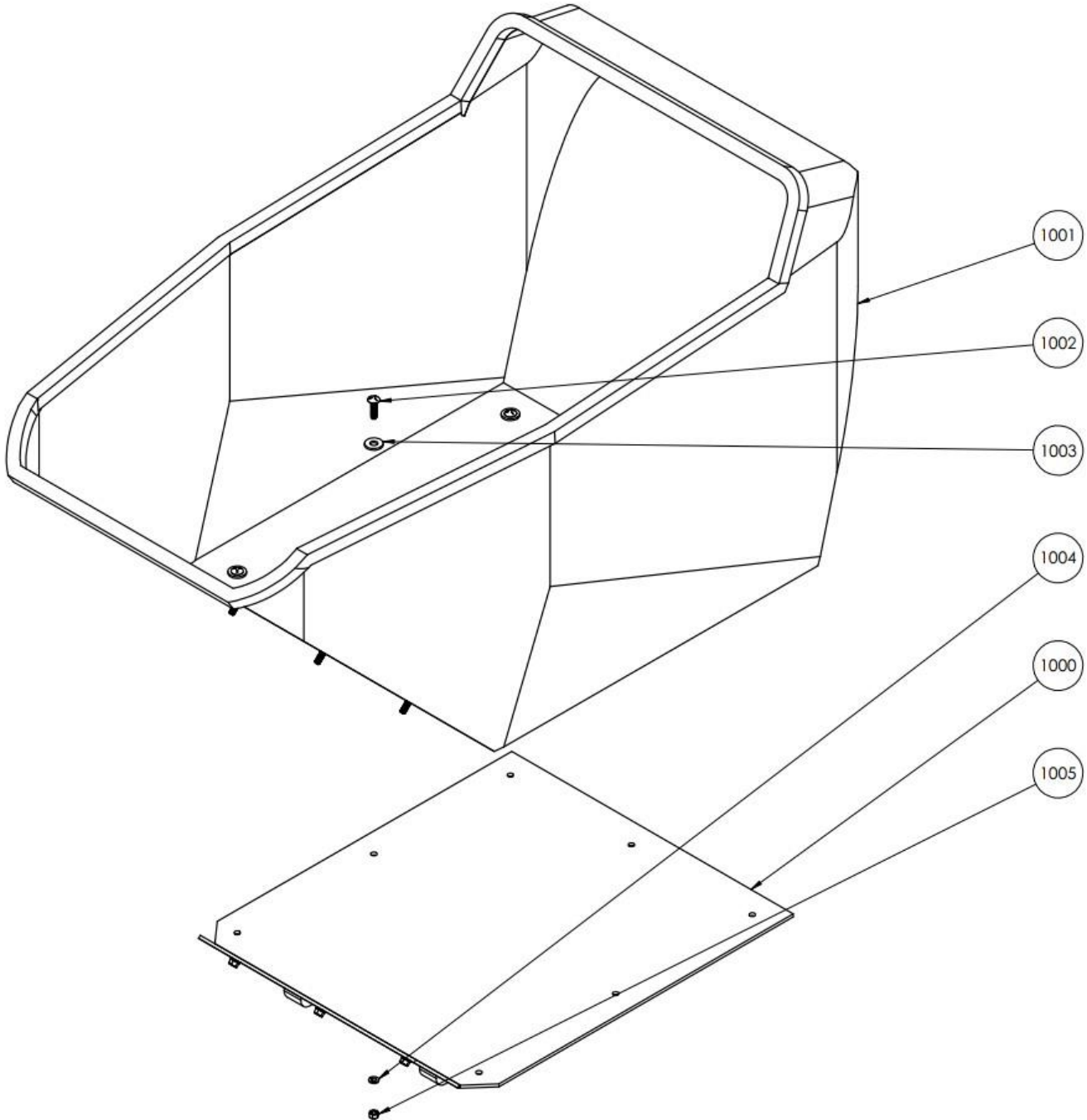


PLATFORM AND PARKING BRAKE – PARTS LIST 9

Item #	Part #	Description	QTY	Remarks
900	11614	LOCKWASHER, M8	2	
901	11667	WASHER, M8	5	
902	11619	HHCS, M8-1.25 x 25MM LG.	2	
903	60138	LOCKNUT, M16-2.0	2	
904	60084	HHCS, M12-1.75 x 130MM LG.	1	
905	10956	LOCKNUT, M12-1.75	3	
906	61190	RIDING PLATFORM 1	1	
907	60206	BRAKE PEDAL	1	
908	60192	HAND BRAKE	1	
909	60205	YOKE END	2	
910	60553	HAND BRAKE BRACKET	1	
911	61200	ROD, BRAKE	1	
912	60191	RIDING PLATFORM 2	1	
913	10453	HHCS, M8-1.25 x 50MM LG.	3	
914	11615	HEX NUT, M8-1.25	3	
915	60196	HAND BRAKE CABLE	1	
916	31180	HHCS, M12-1.75 x 30MM	2	
917	60830	HHCS, M16-2.0 x 40MM LG.	2	
918	11617	LOCKNUT, M8x1.25	3	
919	60199	PIN	1	
920	60198	COTTER PIN, M3.2 x 16MM, ZP	1	
921	62201	SPRING, FOOT BRAKE	1	
922	31013	HEX NUT, M12-1.25	2	

PARTS LIST 10 – BUGGY

BUCKET ASSEMBLY

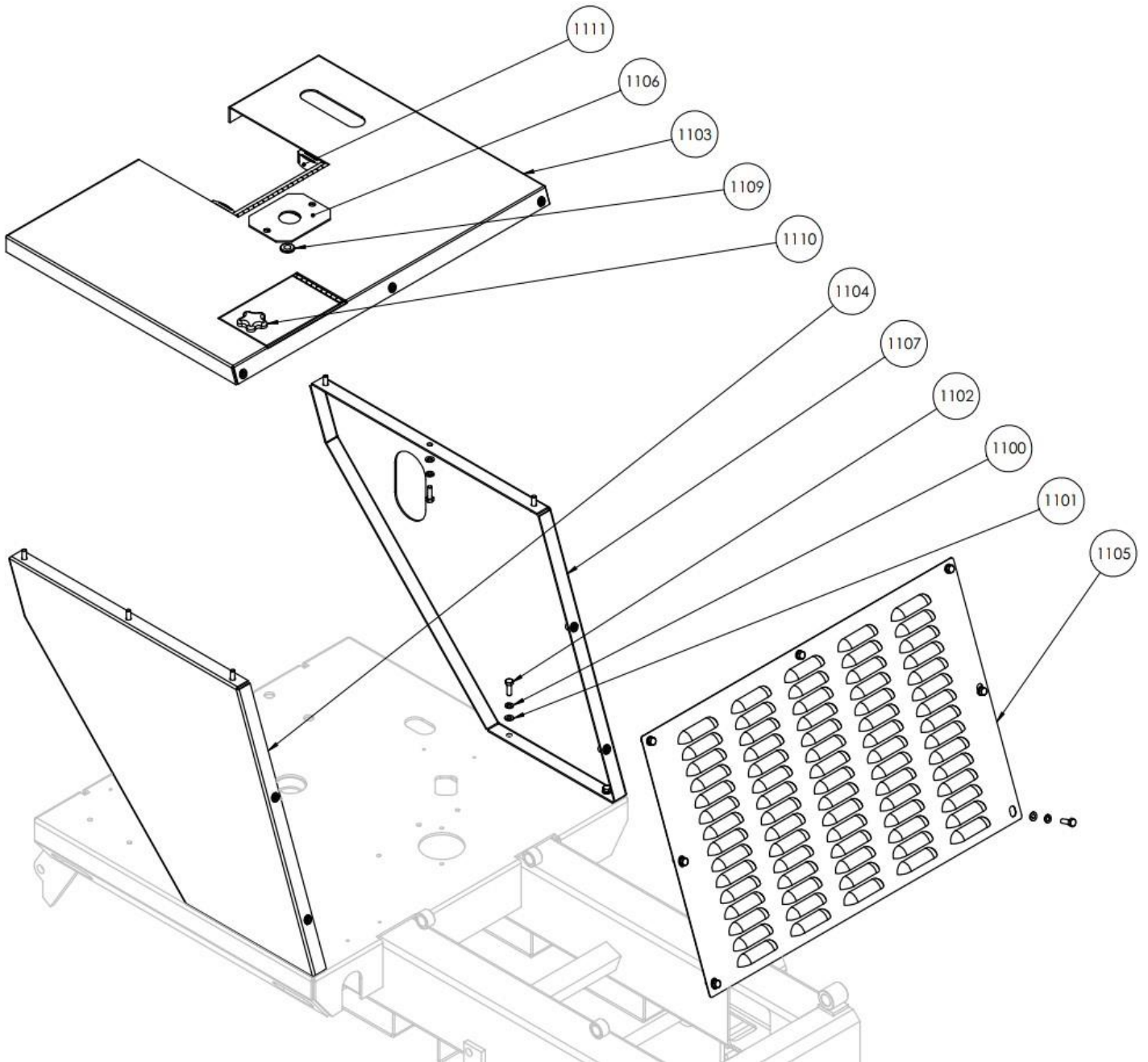


PLATFORM AND BRAKE ASSEMBLY – PARTS LIST 10

Item #	Part #	Description	QTY	Remarks
1000	60215	BUCKET SUPPORT PLATE	1	
1001	512120	(DB17) BUCKET, PLASTIC	1	
	60020	(DB21) BUCKET, STEEL	1	
1002	996277	(DB17) CARRIAGE BOLT, 3/8"-16 x 1-1/2" LG	10	
	996266	(DB21) CARRIAGE BOLT, 3/8-16 x 1-1/4" LG	10	
1003	14265	FENDER WASHER, 1/2"DIA	10	
1004	10902	LOCKWASHER, 3/8"	10	
1005	10901	HEX NUT, 3/8-16 UNC	10	

PARTS LIST 11 – BUGGY

ENGINE COMPARTMENT ASSEMBLY

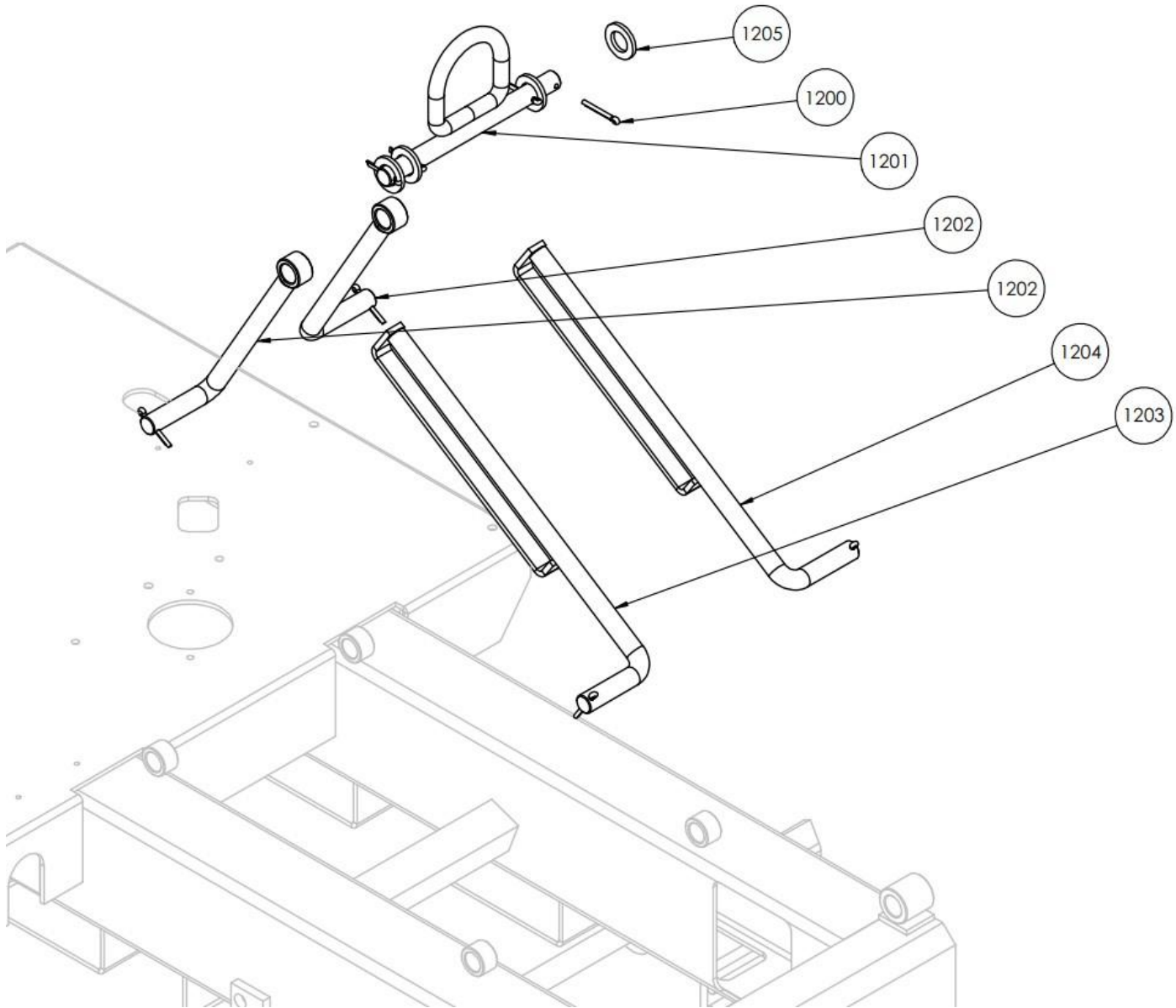


ENGINE COMPARTMENT ASSEMBLY – PARTS LIST 11

Item #	Part #	Description	QTY	Remarks
1100	11614	LOCKWASHER, M8	17	
1101	11667	WASHER, M8	17	
1102	11619	HHCS, M8-1.25 x 25MM LG.	17	
1103	60228	OPERATION PANEL	1	
1104	60229	RIGHT SIDE PANEL	1	
1105	60232	VENTILATION PANEL	1	
1106	60255	MOUNTING PLATE, STEERING	1	
1107	60235	LEFT SIDE PANEL	1	
1109	12697	GROMMET	1	
1110	60227	KNOB, PANEL	1	
1111	60238	DOOR MAGNET	3	

PARTS LIST 12 – BUGGY

LIFTING POINT ASSEMBLY



LIFTING POINT ASSEMBLY – PARTS LIST 12

Item #	Part #	Description	QTY	Remarks
1200	60180	COTTER PIN, M5 x 40MM	8	
1201	60240	HANDLE, LIFT	1	
1202	60241	SUPPORT ROD A	2	
1203	60242	SUPPORT ROD B	1	
1204	60244	SUPPORT ROD C	1	
1205	60226	WASHER, M22	4	



BARTELL GLOBAL

170 Traders Blvd E
Mississauga, ON L4Z 1W7
Canada

4701 Allmond Avenue
Louisville, KY 40209
United States

200 Commerce Drive
Freehold, NJ 07728
United States

Honeyholes Lane
Dunholme, Lincoln LN2 3SU
United Kingdom

