



**BARTELL
GLOBAL**

**PARTS
BOOK**

RIDE-ON TROWEL

Titan 78



Doc. # PB-B19011
Orig. Rel. – 01/2017
Curr Rev. – 08

Intentionally Left Blank

www.BartellGlobal.com

CANADA

170 Traders Blvd E
Mississauga, Ontario L4Z 1W7
TEL (647) 953-4100 FAX (647) 953-4101

KENTUCKY

4701 Allmond Ave
Louisville, Kentucky 40209
TEL (425) 405-9100 FAX (425) 405-9101

UK

Honeyholes Lane
Dunholme, Lincoln, UK LN2 3SU
TEL 01673 860709 FAX 01673 861119

NEW JERSEY

200 Commerce Drive, Unit A
Freehold, New Jersey 07728
TEL (848) 225-8100 FAX (848) 225-8101

**ORIGINAL LANGUAGE OPERATING MANUAL FOR
BARTELL RIDE-ON TROWELS**

© 2023 Bartell Global Inc.

No part of this work may be reproduced or transmitted in any form or by any means, electronic or mechanical, including photocopying and recording, or by any information storage or retrieval system without the prior written permission of Bartell Morrison Inc. unless such copying is permitted by federal copyright laws.

ADDRESS INQUIRIES OR REFERENCE PERMISSIONS CARE OF:

Bartell Global, 170 Traders Blvd E., Mississauga, Ontario, Canada, L4Z 1W7

| REV. | DATE | DESCRIPTION | APPROVED BY: |
|------|----------|--|--------------|
| 01 | 13/01/17 | All drawings redone and parts lists updated | BM |
| 02 | 13/02/17 | Changed item 8's part number 12893 from 12894 parts list 8 | BM |
| 03 | 21/02/17 | Added a parts tables and retardant system | BM |
| 04 | 12/06/18 | Added retardant system cap item 8a to parts list 16 | AN |
| 05 | 08/08/18 | Added Transporter parts lists 17, added pick up brackets to parts list 1 | AN |
| 06 | 10/02/20 | Corrected P/N's | AN |
| 07 | 11/17/21 | Updated Descriptions Page 38 | AN |
| 08 | 11/22 | Updated Clutch P/N's | AN |
| | | | |
| | | | |
| | | | |
| | | | |

TABLE OF CONTENTS

| | |
|--|-----------|
| <u>PARTS LIST 1 – RIDE-ON TROWELS</u> | 5 |
| TITAN, FRAME COMMON: 16807 – PARTS LIST 1 | 6 |
| TITAN, FRAME COMMON: 16807 – PARTS LIST 1 | 8 |
| <u>PARTS LIST 2 – RIDE-ON TROWELS</u> | 10 |
| TITAN, SEAT FRAME: 16801 – PARTS LIST 2 | 10 |
| TITAN, SEAT FRAME: 16801 – PARTS LIST 2 | 12 |
| TITAN, SEAT FRAME: 16801 – PARTS LIST 2 | 14 |
| TITAN, SEAT FRAME: 16801 – PARTS LIST 2 | 16 |
| TITAN, SEAT FRAME: 16801 – PARTS LIST 2 | 18 |
| <u>PARTS LIST 3 – RIDE-ON TROWELS</u> | 19 |
| TITAN, 78 PANELS: 16812 – PARTS LIST 3 | 20 |
| <u>PARTS LIST 4 – RIDE-ON TROWELS</u> | 21 |
| TITAN, 78 RINGS: 16811 - PARTS LIST 4 | 22 |
| <u>PARTS LIST 5 – RIDE-ON TROWELS</u> | 23 |
| POWERPLANT ASSEMBLY – PARTS LIST 5 | 24 |
| <u>PARTS LIST 6 – RIDE-ON TROWELS</u> | 25 |
| TITAN, COMMON STEERING: 16805 LEFT HAND SIDE - PARTS LIST 6 | 26 |
| TITAN, COMMON STEERING: 16805 RIGHT HAND SIDE – PARTS LIST 6 | 28 |
| <u>PARTS LIST 7 – RIDE-ON TROWELS</u> | 29 |
| TITAN, 78 STEERING: 16809 LEFT HAND SIDE – PARTS LIST 7 | 30 |
| TITAN, 78 STEERING: 16809 RIGHT HAND SIDE – PARTS LIST 7 | 32 |
| <u>PARTS LIST 8 – RIDE-ON TROWELS</u> | 33 |
| PITCH CONTROL ASSEMBLY: 16114 – PARTS LIST 8 | 34 |
| <u>PARTS LIST 9 – RIDE-ON TROWELS</u> | 35 |
| TITAN 78, DRIVETRAIN: 16810 – PARTS LIST 9 | 36 |
| <u>PARTS LIST 10 – RIDE-ON TROWELS</u> | 37 |
| DRIVETRAIN ASSEMBLY: 16800 – PARTS LIST 10 | 38 |
| <u>PARTS LIST 11 – RIDE-ON TROWELS</u> | 39 |
| GEARBOX ASSEMBLY: BRT78 – PARTS LIST 11 | 40 |
| <u>PARTS LIST 12 – RIDE-ON TROWELS</u> | 41 |
| SPIDER PLATE ASSEMBLY (GREASE): 16017 – PARTS LIST 12 | 41 |
| <u>PARTS LIST 13 – RIDE-ON TROWELS</u> | 42 |
| PRESSURE PLATE ASSEMBLY: 20626 – PARTS LIST 13 | 42 |

| | |
|---|-----------|
| <u>PARTS LIST 14 – RIDE-ON TROWELS</u> | 43 |
| TROWEL BLADE ASSEMBLY: BRT78 (6x14 FINISH – 4 BLADES) METRIC – PARTS LIST 14 | 43 |
| TROWEL BLADE ASSEMBLY: BRT78 (8x14 COMBO – 4 BLADES) – PARTS LIST 14 | 43 |
| <u>PARTS LIST 15 – RIDE-ON TROWELS</u> | 44 |
| WEIGHT PACKAGE (OPTION): 16091 – PARTS LIST 15 | 44 |
| <u>PARTS LIST 16 – RIDE-ON TROWELS</u> | 45 |
| RETARDANT SPRAYER(OPTION): 16099 – PARTS LIST 16 | 46 |
| <u>PARTS LIST 17 – RIDE-ON TROWELS</u> | 47 |
| TRANSPORTER: 16083 (OPTION) – PARTS LIST 17 | 48 |

PARTS LIST 1 – RIDE-ON TROWELS

TITAN, FRAME COMMON: 16807

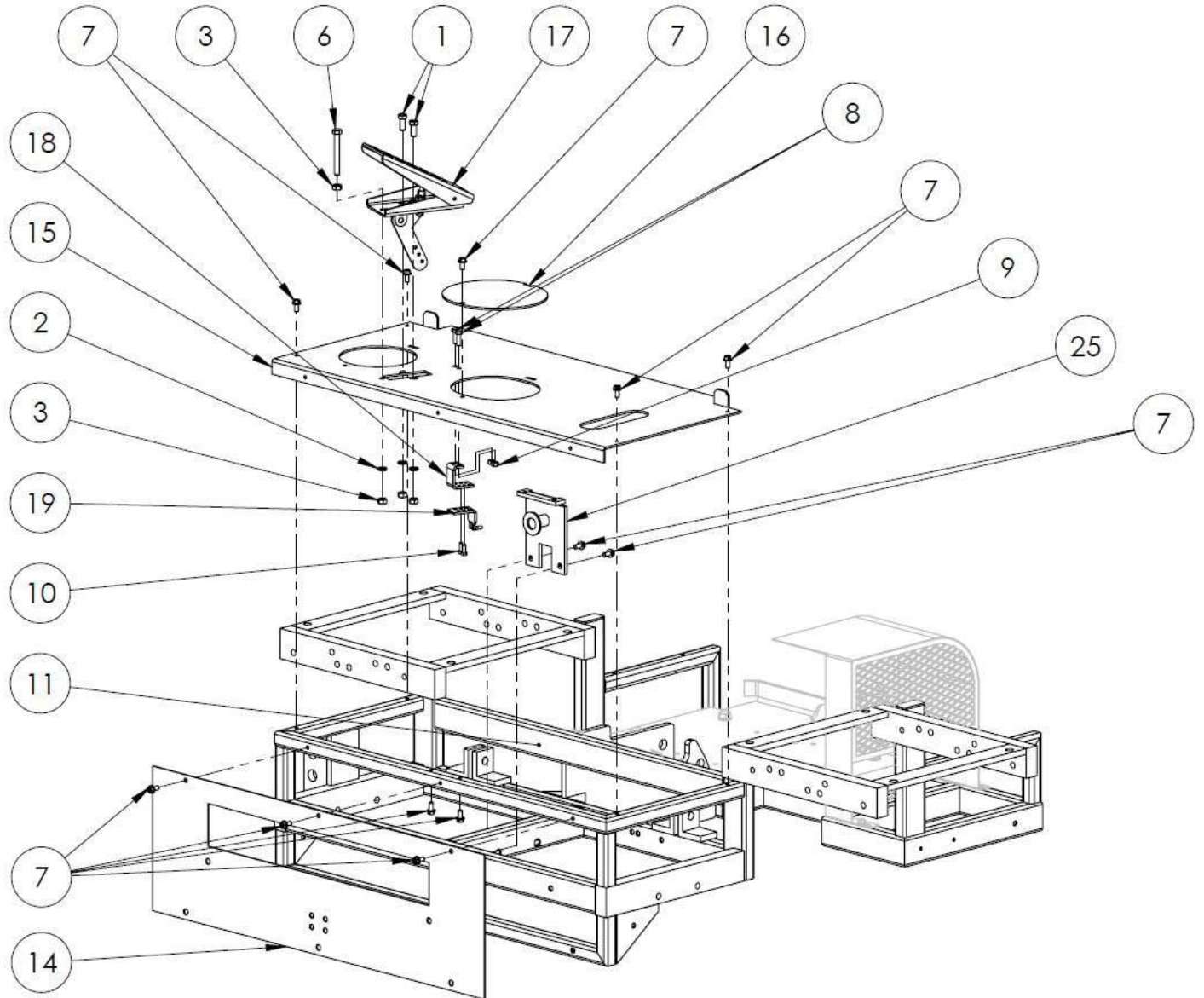


Figure 1: Lower Frame Assembly

TITAN, FRAME COMMON: 16807 – PARTS LIST 1

| Item # | Part # | Description | QTY | Remarks |
|--------|--------|-------------------------------------|-----|--------------------------|
| 1 | 10999 | HHCS M8 X 20MM | 2 | |
| 2 | 11614 | LOCK WASHER, M8, ZP | 3 | |
| 3 | 11615 | NUT, HEX, M8-1.25, ZP | 4 | |
| 6 | 11745 | HHCS, M8-1.25 X 55MM LG, ZP | 1 | |
| 7 | 14596 | HWHS 1/4-20 X 1/2"LG THREAD CUTTING | 12 | |
| 8 | 51058 | HHCS, M6-1.0 X 20MM LG, ZP | 2 | |
| 9 | 11865 | LOCKNUT, M6-1 NYLOCK | 2 | |
| 10 | 10711 | HHMS M5-0.8 X 12MM LG, ZP | 2 | |
| 11 | 16001 | TITAN UNI-CHASSIS | 1 | |
| 14 | 16055 | TITAN FRONT PANEL | 1 | |
| 15 | 16005 | CHECKERED FLOOR PLATE | 1 | |
| 16 | 16069 | TITAN FLOOR COVER PLATE | 1 | |
| 17 | 16048 | THROTTLE PEDAL | 1 | |
| 18 | 16068 | THROTTLE HOLD | 1 | |
| 19 | 13863 | THROTTLE CLIP | 1 | |
| 25 | 16135 | TITAN TRANSPORTER FRONT PIN | 1 | S/N 711200 AND HIGHER |

TITAN, FRAME COMMON: 16807

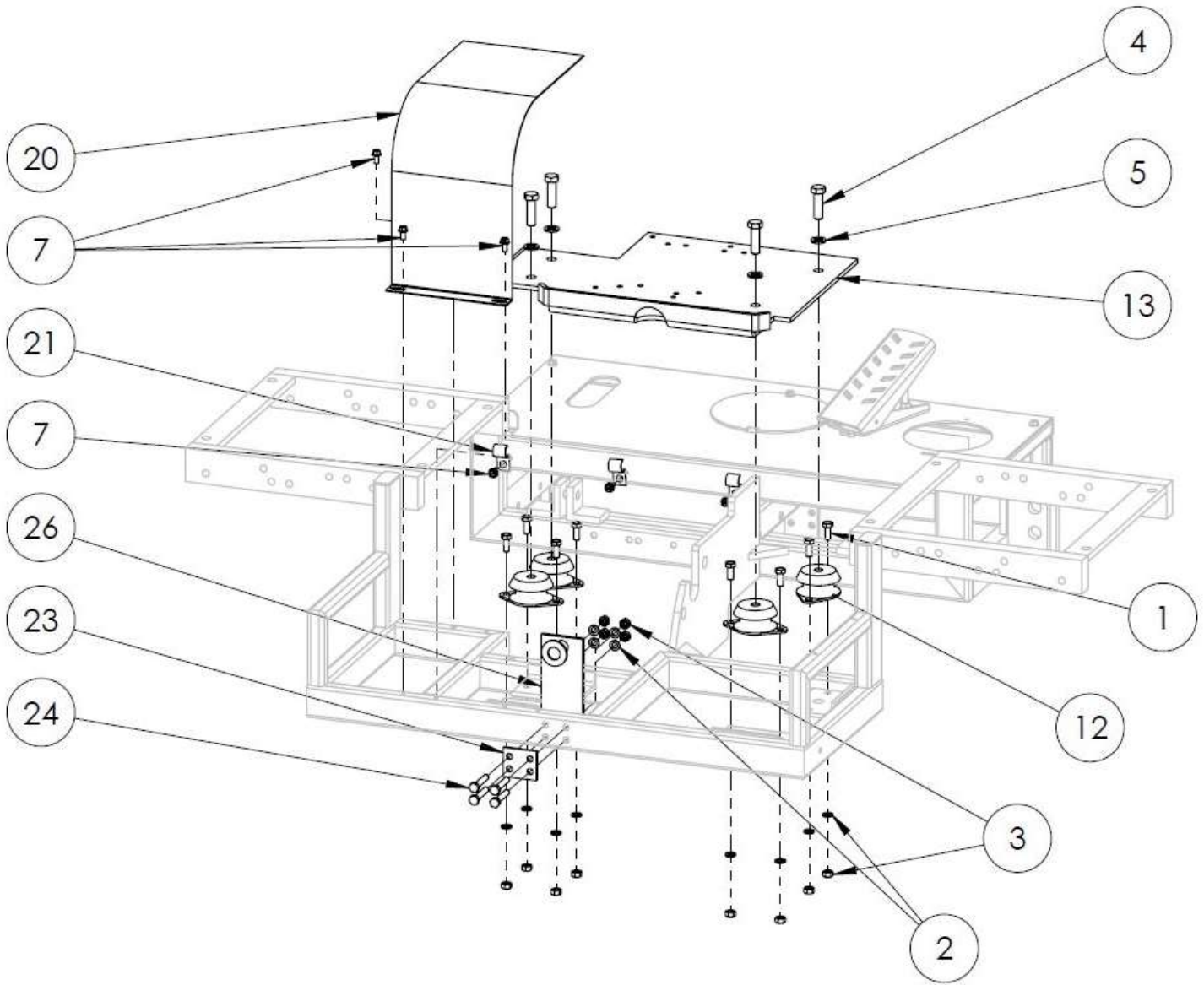


Figure 2: Lower Frame Assembly

TITAN, FRAME COMMON: 16807 – PARTS LIST 1

| Item # | Part # | Description | QTY | Remarks |
|--------|--------|-------------------------------------|-----|--------------------------|
| 1 | 10999 | HHCS M8 X 20MM | 8 | |
| 2 | 11614 | LOCK WASHER, M8, ZP | 12 | |
| 3 | 11615 | NUT, HEX, M8-1.25, ZP | 12 | |
| 4 | 10955 | HHCS 12MM-1.25 X 40MM | 3 | |
| 5 | 10735 | LOCK WASHER, SPLIT, M12 | 3 | |
| 7 | 14596 | HWHS 1/4-20 X 1/2"LG THREAD CUTTING | 6 | |
| 12 | 14101 | ANTI-VIBRATION MOUNT | 3 | |
| 13 | 16003 | ENGINE MOUNTING PLATE | 1 | |
| 20 | 16042 | BELT GUARD TITAN | 1 | |
| 21 | 13591 | WIRING CLAMP 5/8" | 3 | |
| 23 | 16096 | TRANSPORTER BACKPLATE | 1 | S/N 711200 AND HIGHER |
| 24 | 10784 | HHCS M8-1.25 X 45MM | 4 | S/N 711200 AND HIGHER |
| 26 | 16136 | TRANSPORTER BACK PIN | 1 | S/N 711200 AND HIGHER |

Intentionally Left Blank

PARTS LIST 2 – RIDE-ON TROWELS

TITAN, SEAT FRAME: 16801

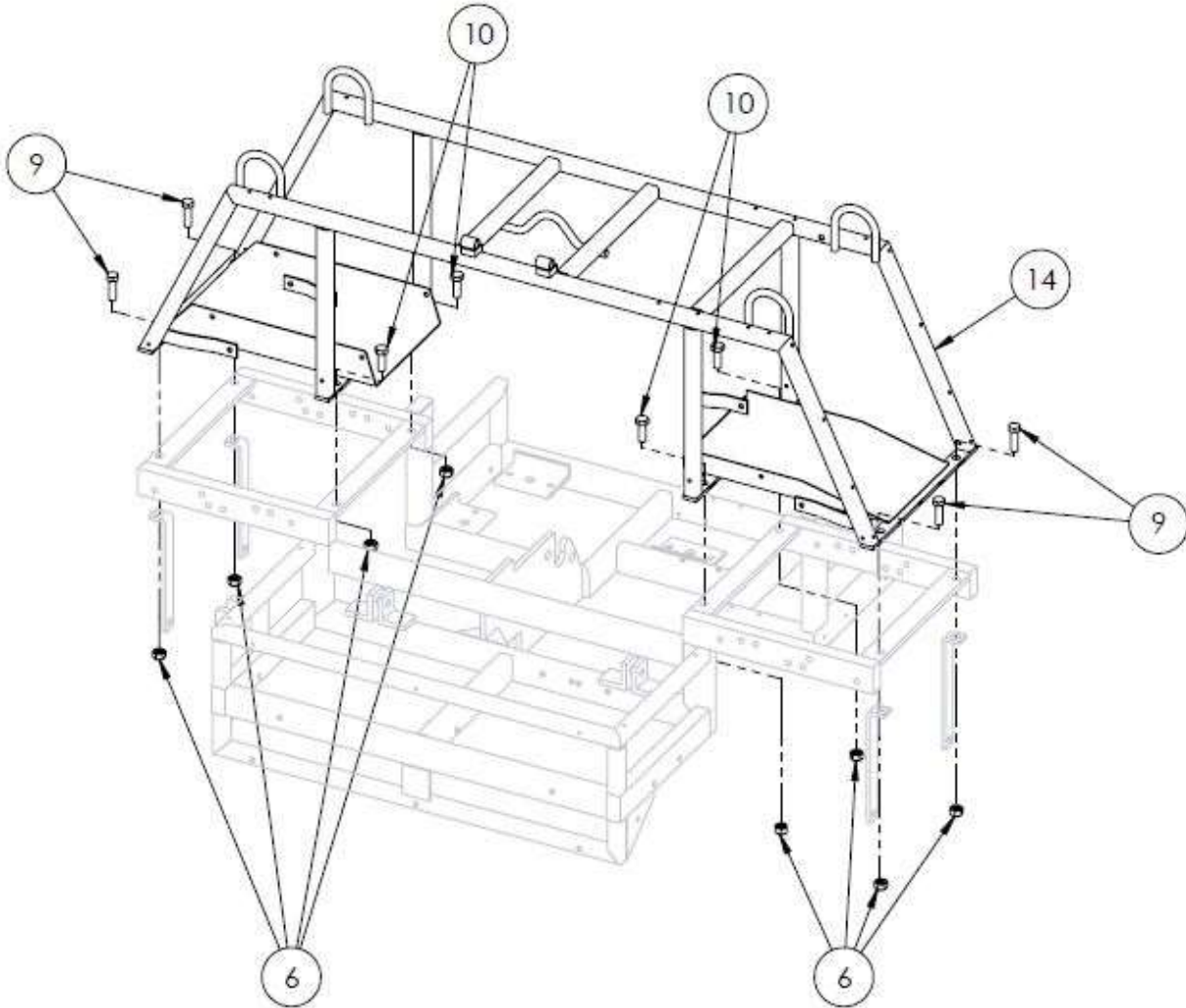


Figure 3: Seat Frame Assembly

TITAN, SEAT FRAME: 16801 – PARTS LIST 2

| Item # | Part # | Description | QTY | Remarks |
|--------|--------|----------------------------|-----|---------|
| 6 | 10956 | M12-1.5 NYLOCK NUT | 8 | |
| 9 | 10955 | HHCS 12MM-1.25 X 40MM | 4 | |
| 10 | 10881 | M12-1.75X35, HEX CAP SCREW | 4 | |
| 14 | 16002 | SEAT FRAME UNI-CHASSIS | 1 | |

TITAN, SEAT FRAME: 16801

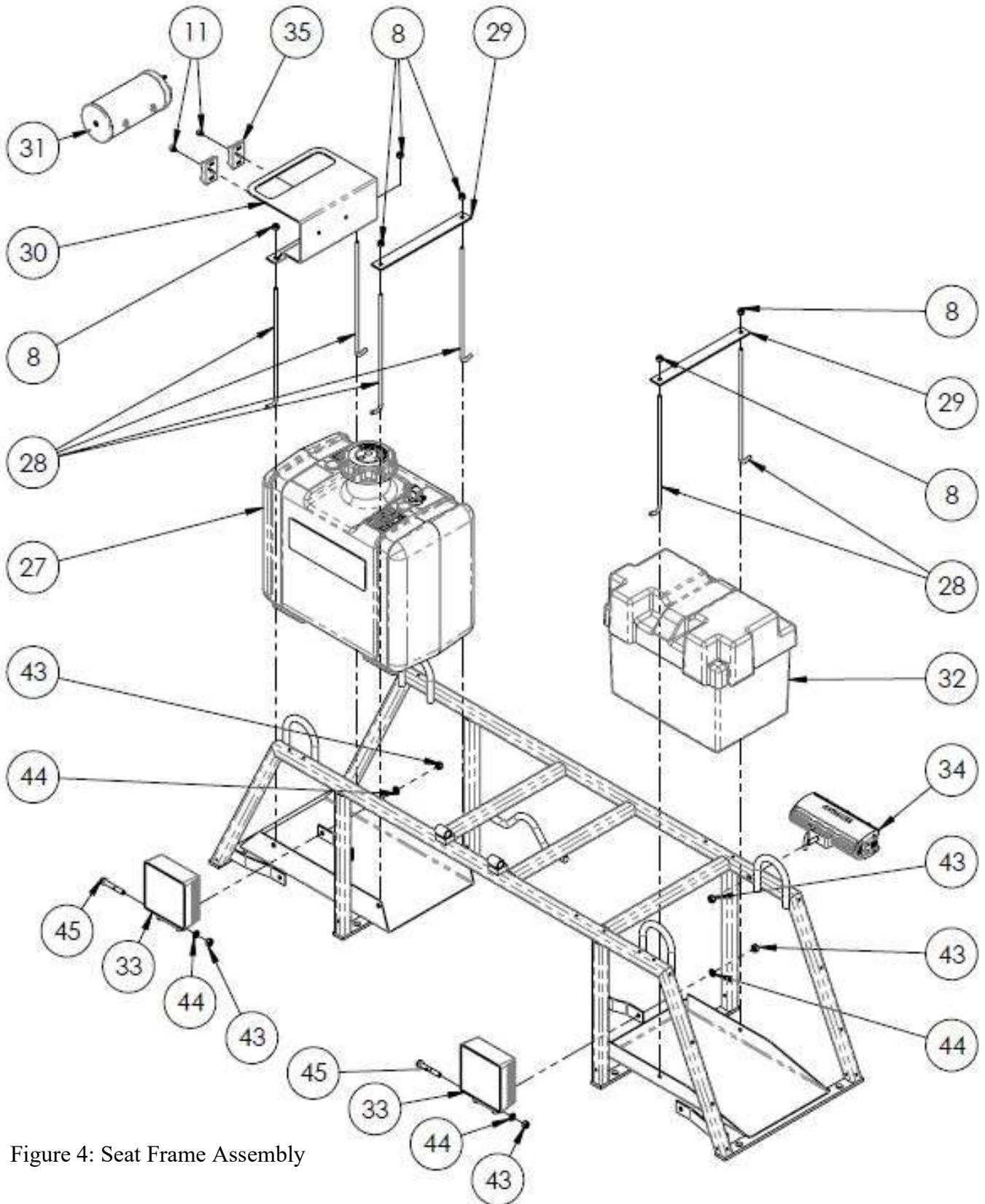


Figure 4: Seat Frame Assembly

TITAN, SEAT FRAME: 16801 – PARTS LIST 2

| Item # | Part # | Description | QTY | Remarks |
|--------|--------|------------------------------|-----|---------|
| 8 | 30141 | LOCKNUT 1/4-20UNC | 6 | |
| 11 | 21725 | M6-1X6, SHCS, METRIC | 2 | |
| 27 | 18150 | GAS TANK | 1 | |
| 28 | 13839 | HOLD DOWN BOLT | 6 | |
| 29 | 10192 | GAS TANK HOLD-DOWN BAR | 2 | |
| 30 | 16018 | CARB COVER W/TROWEL HOLDER** | 1 | |
| 31 | 18126 | CARB CANISTER** | 1 | |
| 32 | 13192 | BATTERY BOX-BLACK POLY | 1 | |
| 33 | 16045 | SQUARE LED LIGHT | 2 | |
| 34 | 16046 | RECTANGLE LED LIGHT | 1 | |
| 35 | 18124 | CARB CANISTER BRACKET** | 2 | |
| 43 | 10915 | HEX NUT, 5/16-18UNC, GRADE 5 | 5 | |
| 44 | 10402 | LOCKWASHER, 5/16, ZP | 5 | |
| 45 | 10403 | HHCS 5/16-18 X 2"LG | 2 | |

Intentionally Left Blank

TITAN, SEAT FRAME: 16801

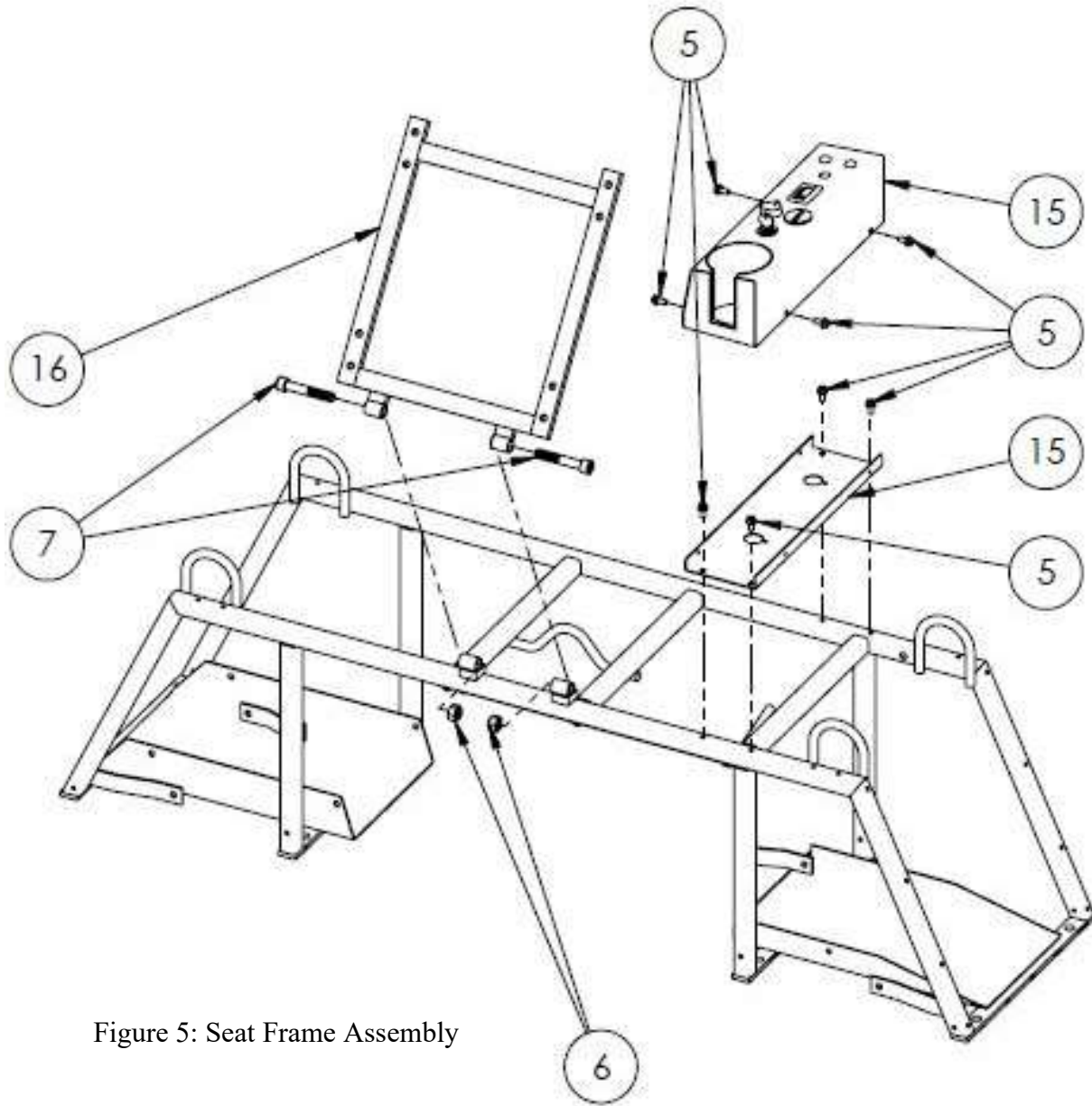


Figure 5: Seat Frame Assembly

TITAN, SEAT FRAME: 16801 – PARTS LIST 2

| Item # | Part # | Description | QTY | Remarks |
|--------|--------|-----------------------------|-----|---------|
| 5 | 14596 | HWHS 1/4-20 X 1/2"LG THREAD | 8 | |
| 6 | 10956 | M12-1.5 NYLOCK NUT | 2 | |
| 7 | 11863 | SHCS, M10-1.75X70MM LG, ZP | 2 | |
| 15 | 16043 | TITAN CONTROL BOX | 1 | |
| 16 | 16004 | HINGED PLATE | 1 | |

TITAN, SEAT FRAME: 16801

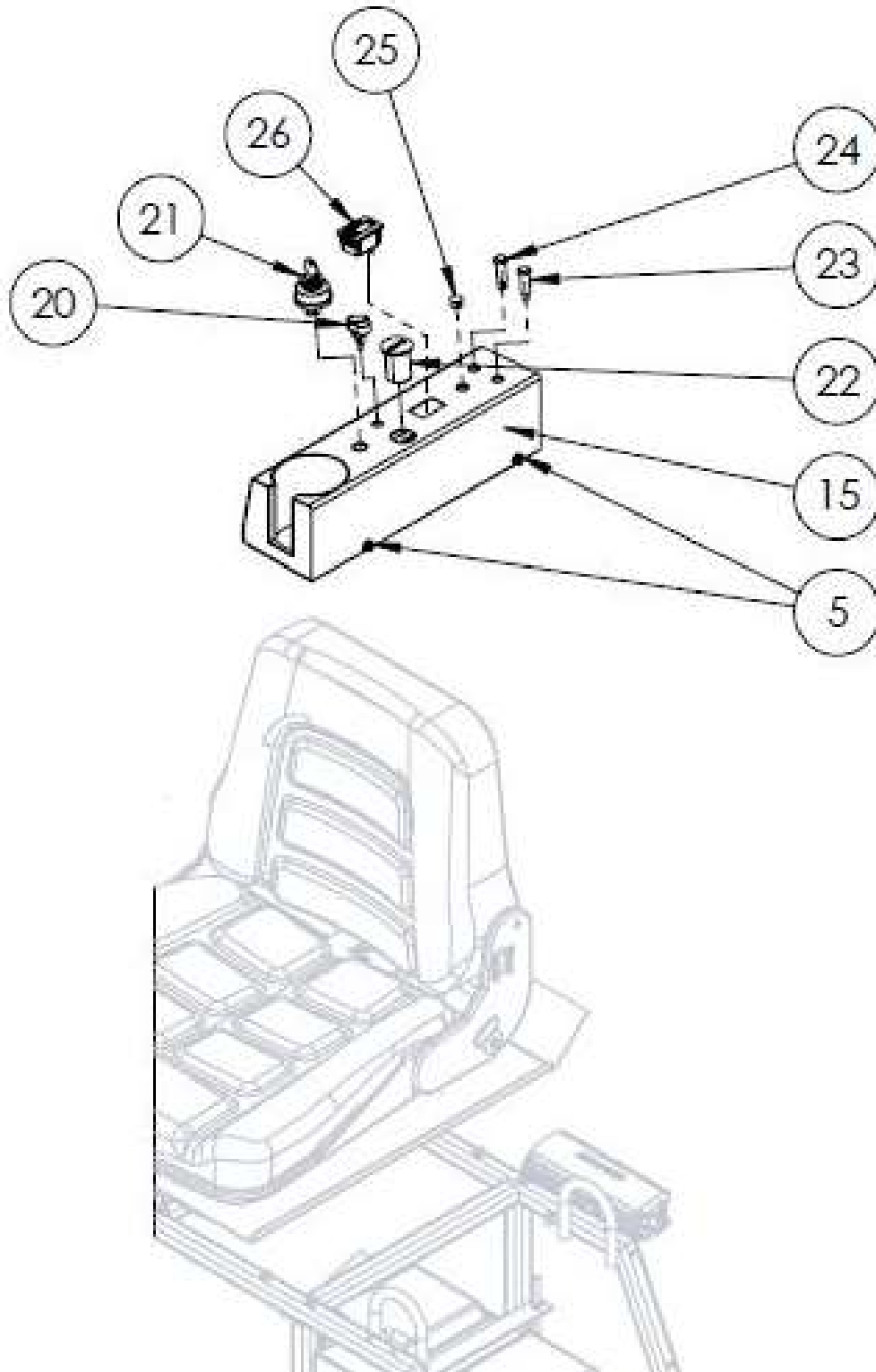


Figure 6: Seat Frame Assembly

TITAN, SEAT FRAME: 16801 – PARTS LIST 2

| Item # | Part # | Description | QTY | Remarks |
|--------|--------|-----------------------------|-----|---------|
| 5 | 14596 | HWHS 1/4-20 X 1/2"LG THREAD | 2 | |
| 15 | 16043 | TITAN CONTROL BOX | 1 | |
| 20 | 14377 | SWITCH, ON/OFF, SPST, BLUE | 1 | |
| 21 | 13953 | IGNITION SWITCH | 1 | |
| 22 | 16061 | DUAL USB CHARGER | 1 | |
| 23 | 14379 | CONTROL LAMP, RED, 12 VDC | 1 | |
| 24 | 14378 | CONTROL LAMP, AMBER, 12 VDC | 1 | |
| 25 | 16146 | PLUG, HOLE, 1/2" | 1 | |
| 26 | 16140 | TACH/HOUR METER | 1 | |

TITAN, SEAT FRAME: 16801

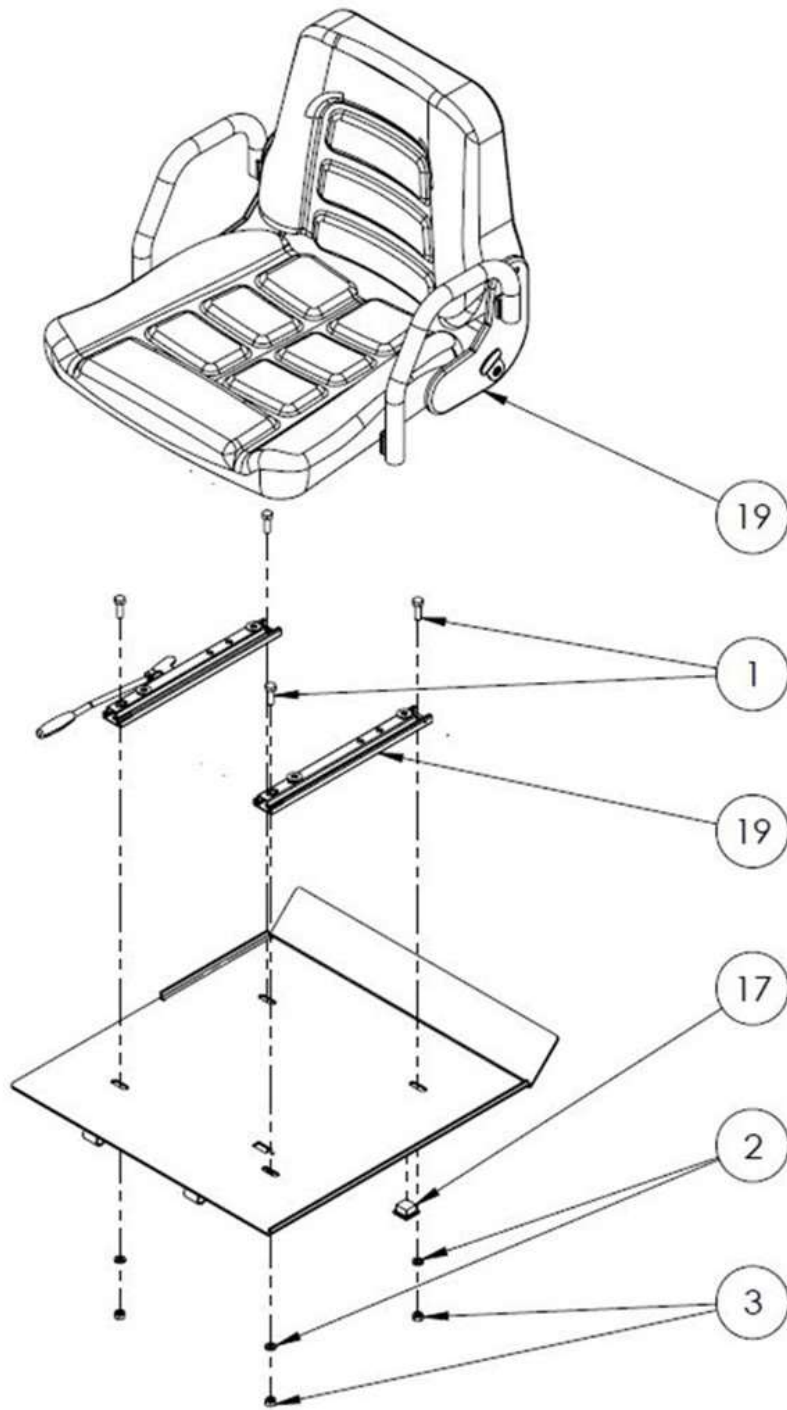


Figure 7: Seat Frame Assembly

TITAN, SEAT FRAME: 16801 – PARTS LIST 2

| Item # | Part # | Description | QTY | Remarks |
|--------|--------|---------------------------------|-----|---------|
| 1 | 11619 | HHCS, M8-1.25 X 25MM LG, ZP | 4 | |
| 2 | 11614 | LOCK WASHER, M8, ZP | 5 | |
| 3 | 11615 | NUT, HEX, M8-1.25, ZP | 6 | |
| 17 | 10573 | CAP PLUG | 2 | |
| 18 | 16142 | TITAN RIDER HEAT SHIELD | 1 | |
| 19 | 16166 | OPERATOR'S SEAT, BLACK | 1 | |
| | 16233 | SAFETY SWITCH (OPERATOR'S SEAT) | 1 | |

Intentionally Left Blank

PARTS LIST 3 – RIDE-ON TROWELS

TITAN, 78 PANELS: 16812

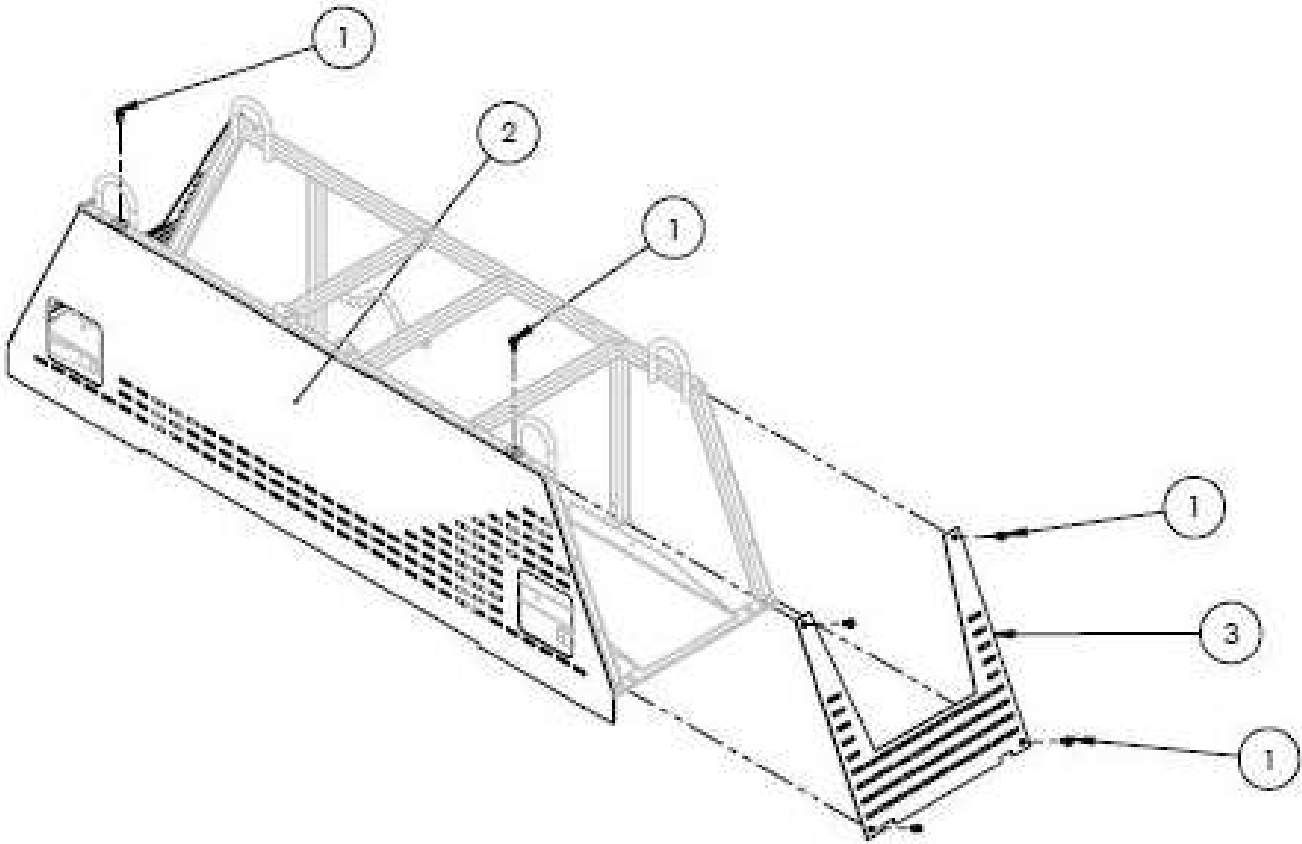


Figure 8: Panel Assembly

TITAN, 78 PANELS: 16812 – PARTS LIST 3

| Item # | Part # | Description | QTY | Remarks |
|--------|--------|-------------------------------------|-----|---------|
| 1 | 14596 | HWHS 1/4-20 x 1/2"LG THREAD CUTTING | 10 | |
| 2 | 16051 | FRONT PANEL | 1 | |
| 3 | 16050 | SIDE PANEL 78 | 2 | |

PARTS LIST 4 – RIDE-ON TROWELS

TITAN, 78 RINGS: 16811

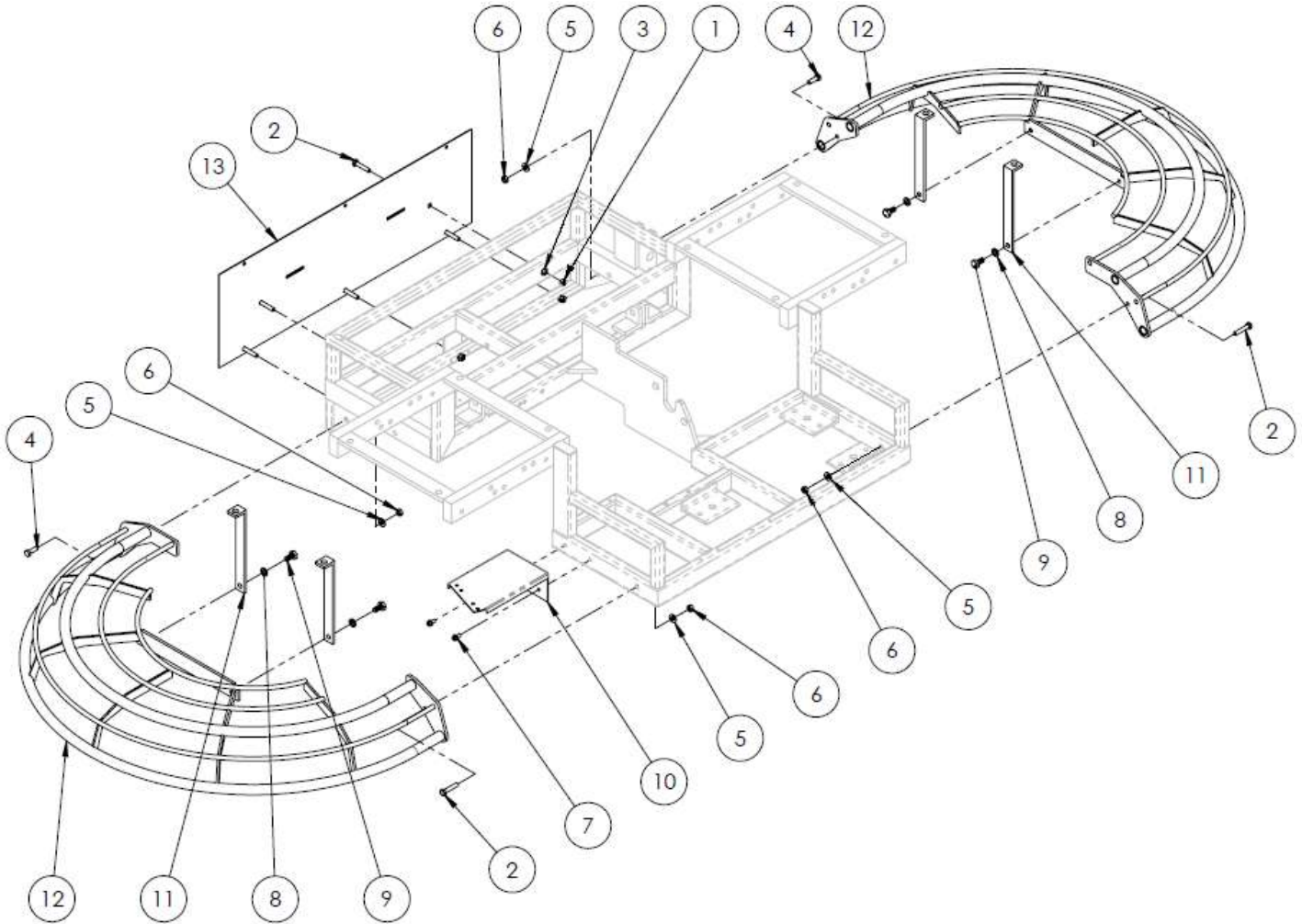


Figure 9: Ring Assembly

TITAN, 78 RINGS: 16811 - PARTS LIST 4

| Item # | Part # | Description | QTY | Remarks |
|--------|--------|-------------------------------------|-----|---------|
| 1 | 11617 | LOCK NUT, 5/16"-18UNC, NYLOCK, ZP | 5 | |
| 2 | 10452 | HHCS M8 X 40MM | 7 | |
| 3 | 11667 | WASHER, FLAT, 5/16, ZP | 5 | |
| 4 | 11619 | HHCS, M8-1.25 X 25MM LG, ZP | 2 | |
| 5 | 11614 | LOCK WASHER, M8, ZP | 4 | |
| 6 | 11615 | NUT, HEX, M8-1.25, ZP | 4 | |
| 7 | 14596 | HWHS 1/4-20 X 1/2"LG THREAD CUTTING | 2 | |
| 8 | 11621 | LOCKWASHER, M10 | 4 | |
| 9 | 31008 | HHCS, M10-1.5 X 20MM LG, ZP | 4 | |
| 10 | 16134 | TITAN RING COVER PLATE | 1 | |
| 11 | 16126 | 78 GUARD RING BRACKET | 4 | |
| 12 | 16072 | GUARD RING | 2 | |
| 13 | 16055 | FRONT PANEL | 1 | |

PARTS LIST 5 – RIDE-ON TROWELS

POWERPLANT ASSEMBLY

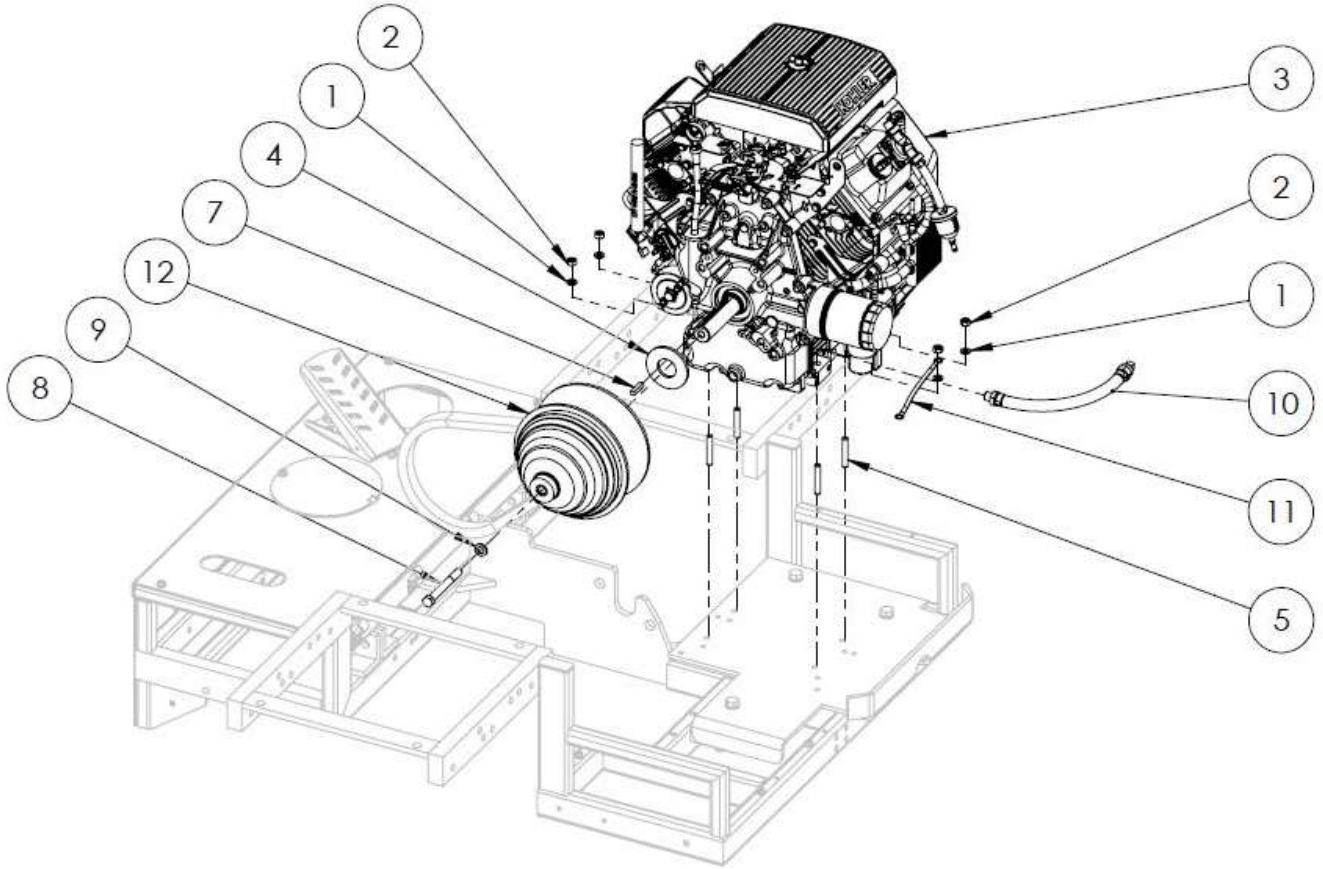


Figure 10: Power Plant Assembly

POWERPLANT ASSEMBLY – PARTS LIST 5

| Item # | Part # | Description | QTY | Remarks |
|--------|--------|--------------------------------|-----|---------|
| 1 | 11614 | LOCK WASHER, M8, ZP | 4 | |
| 2 | 11615 | NUT, HEX, M8-1.25, ZP | 4 | |
| 3 | --- | ENGINE | 1 | |
| 4 | 12708 | CLUTCH SPACER, 1-1/8" | 1 | |
| 5 | 11867 | STUD, M8-1.25 X 50MM | 4 | |
| 6 | --- | WIRE HARNESS, TITAN | 1 | |
| 7 | 10608 | KEY, 1/4" SQUARE X 1-5/32" LG. | 1 | |
| 8 | 13487 | HHCS 7/16-20 X 3-1/2"LG | 1 | |
| 9 | 13491 | LOCKWASHER 7/16"DIA | 1 | |
| 10 | --- | OIL DRAIN | 1 | |
| 11 | 13098 | GROUND STRAP | 1 | |
| 12 | 16184 | CVT DRIVE CLUTCH | 1 | |

TITAN, COMMON STEERING: 16805 LEFT HAND SIDE - PARTS LIST 6

| Item # | Part # | Description | QTY | Remarks |
|--------|--------|------------------------------------|-----|---------|
| 1 | 16006 | PIVOT ARM | 1 | |
| 2 | 13570 | FLANGE BEARING | 2 | |
| 3 | 16013 | STEERING SHAFT - LH | 1 | |
| 8 | 16049 | TITAN HANDLE | 2 | |
| 9 | 11621 | LOCKWASHER, M10 | 2 | |
| 10 | 13348 | HHCS, M10-1.5 X 25MM LG, ZP | 2 | |
| 12 | 13350 | HHCS, M10-1.5 X 60MM LG, ZP | 2 | |
| 13 | 12930 | WASHER, FLAT, 7/16" DIAMETER, ZP | 2 | |
| 14 | 981260 | HEX BOLT, 1/2-13 UNC X 2 LG | 1 | |
| 15 | 12517 | NYLOCK NUT, 1/2-20UNF | 2 | |
| 18 | 10999 | HHCS M8 X 20MM | 4 | |
| 19 | 11615 | NUT, HEX, M8-1.25, ZP | 4 | |
| 20 | 12985 | SHSB 1/2"SHLDR X 3/8-16 X 1-1/4"LG | 1 | |
| 21 | 50026 | 1/2" FLATWASHER | 2 | |
| 22 | 10317 | 3/8-16UNC LOCKNUT, NYLON | 1 | |
| 24 | 12420 | ROD END PIVOT ASS'Y - FEMALE | 1 | |
| 25 | 13932 | ROD END - MALE/MALE | 1 | |
| 27 | 13065 | HANDLE GRIP 1" | 4 | |

TITAN, COMMON STEERING: 16805 RIGHT HAND SIDE

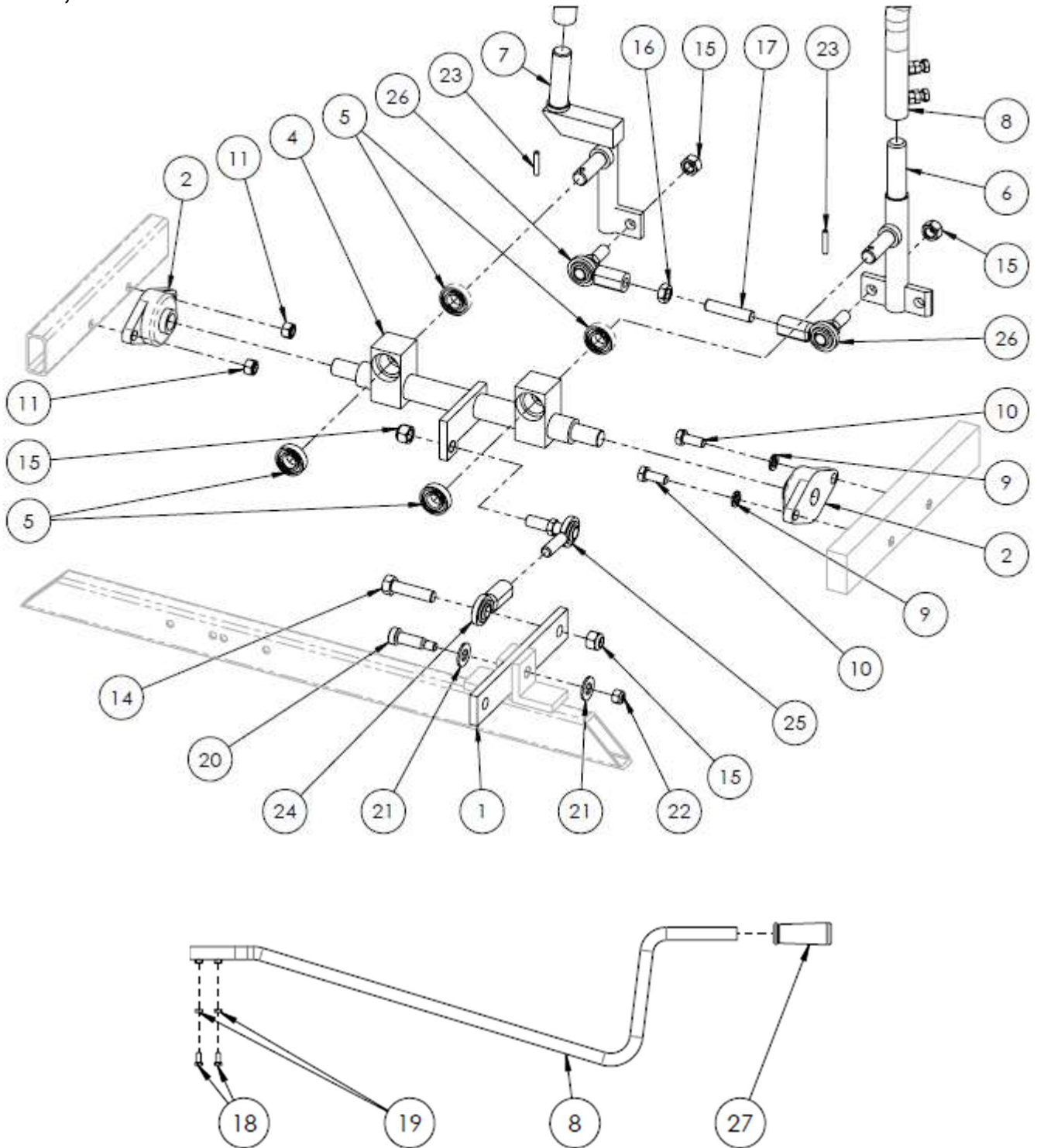


Figure 12: Right Hand Steering Assembly

TITAN, COMMON STEERING: 16805 RIGHT HAND SIDE – PARTS LIST 6

| Item # | Part # | Description | QTY | Remarks |
|--------|--------|------------------------------------|-----|---------|
| 1 | 16006 | PIVOT ARM | 1 | |
| 2 | 13570 | FLANGE BEARING | 2 | |
| 4 | 16014 | STEERING SHAFT, RH, | 1 | |
| 5 | 13883 | BEARING | 4 | |
| 6 | 16010 | OUTSIDE STEERING LINK-RH | 1 | |
| 7 | 16011 | INSIDE STEERING LINK-RH | 1 | |
| 8 | 16049 | TITAN HANDLE | 2 | |
| 9 | 11621 | LOCKWASHER, M10 | 2 | |
| 10 | 13348 | HHCS, M10-1.5 X 25MM LG, ZP | 2 | |
| 11 | 11802 | LOCK NUT, M10-1.5, NYLOCK, ZP | 2 | |
| 14 | 981260 | HEX BOLT, 1/2-13 UNC X 2 LG | 1 | |
| 15 | 12517 | NYLOCK NUT, 1/2-20UNF | 2 | |
| 16 | 12592 | HEX JAM NUT 1/2-20UNF | 1 | |
| 17 | 12969 | THREADED ROD 1/2-20 X 2-1/4"LG | 1 | |
| 18 | 10999 | HHCS M8 X 20MM | 8 | |
| 19 | 11615 | NUT, HEX, M8-1.25, ZP | 8 | |
| 20 | 12985 | SHSB 1/2"SHLDR X 3/8-16 X 1-1/4"LG | 1 | |
| 21 | 50026 | 1/2" FLATWASHER | 2 | |
| 22 | 10317 | 3/8-16UNC LOCKNUT, NYLON | 1 | |
| 23 | 10696 | SPRING PIN, 5MM X 30 | 2 | |
| 24 | 12420 | ROD END PIVOT ASS'Y - FEMALE | 1 | |
| 25 | 13932 | ROD END - MALE/MALE | 1 | |
| 26 | 12412 | ROD END PIVOT ASS'Y - FEMALE/MALE | 2 | |
| 27 | 13065 | HANDLE GRIP 1" | 4 | |

Intentionally Left Blank

PARTS LIST 7 – RIDE-ON TROWELS

TITAN, 78 STEERING: 16809 LEFT HAND SIDE

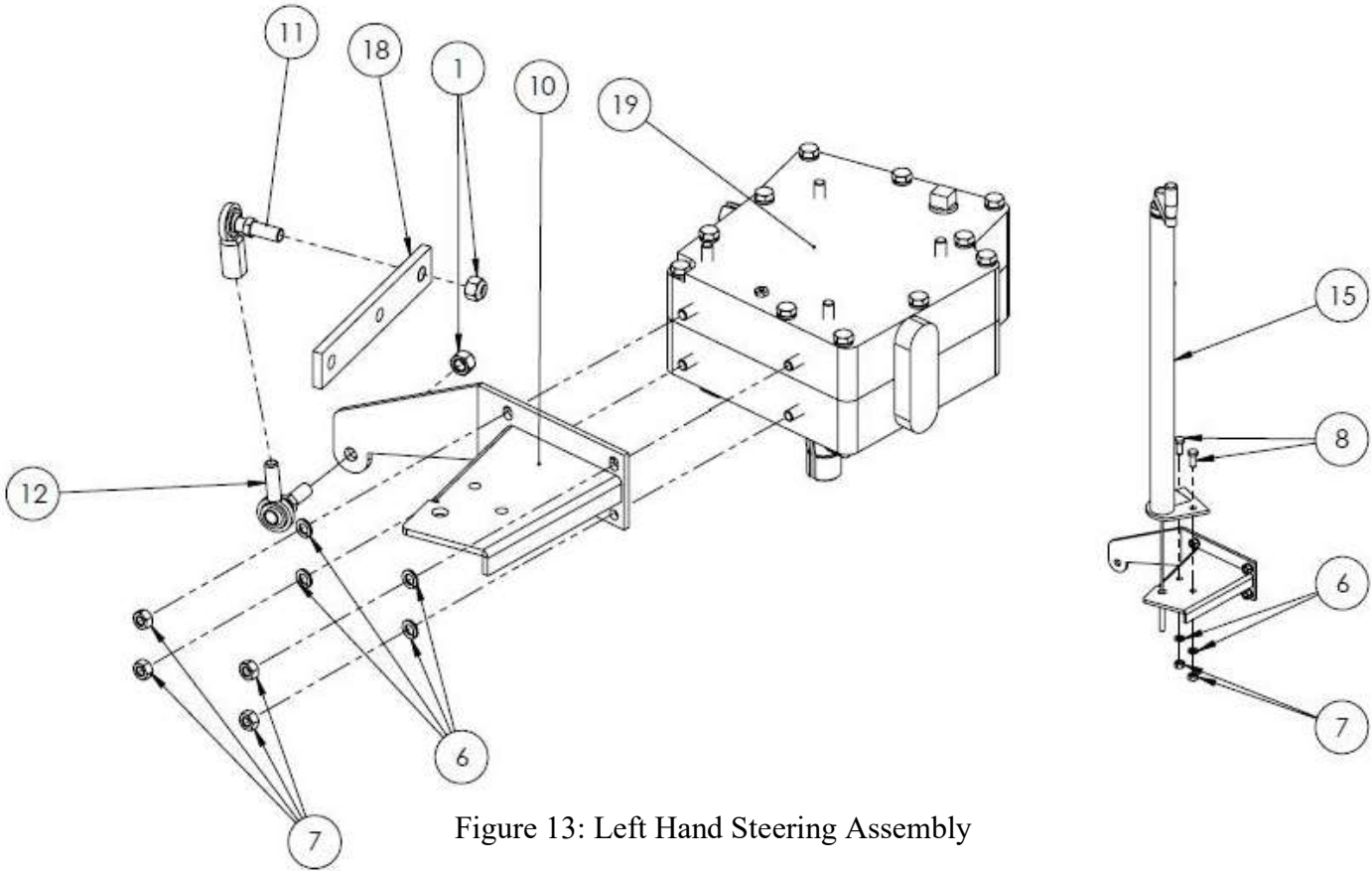


Figure 13: Left Hand Steering Assembly

TITAN, 78 STEERING: 16809 LEFT HAND SIDE – PARTS LIST 7

| Item # | Part # | Description | QTY | Remarks |
|--------|--------|-----------------------------------|-----|---------|
| 1 | 12517 | NYLOCK NUT, 1/2-20UNF | 2 | |
| 6 | 11621 | LOCKWASHER, M10 | 6 | |
| 7 | 11622 | HEX NUT, M10-1.5 | 6 | |
| 8 | 13348 | HHCS, M10-1.5 X 25MM LG, ZP | 2 | |
| 10 | 16037 | CONTROL ARM, LH | 1 | |
| 11 | 12412 | ROD END PIVOT ASS'Y - FEMALE/MALE | 1 | |
| 12 | 13932 | ROD END - MALE/MALE | 1 | |
| 18 | 16006 | PIVOT ARM | 1 | |
| 19 | 16021 | LH GEARBOX ASSEMBLY | 1 | |

TITAN, 78 STEERING: 16809 RIGHT HAND SIDE

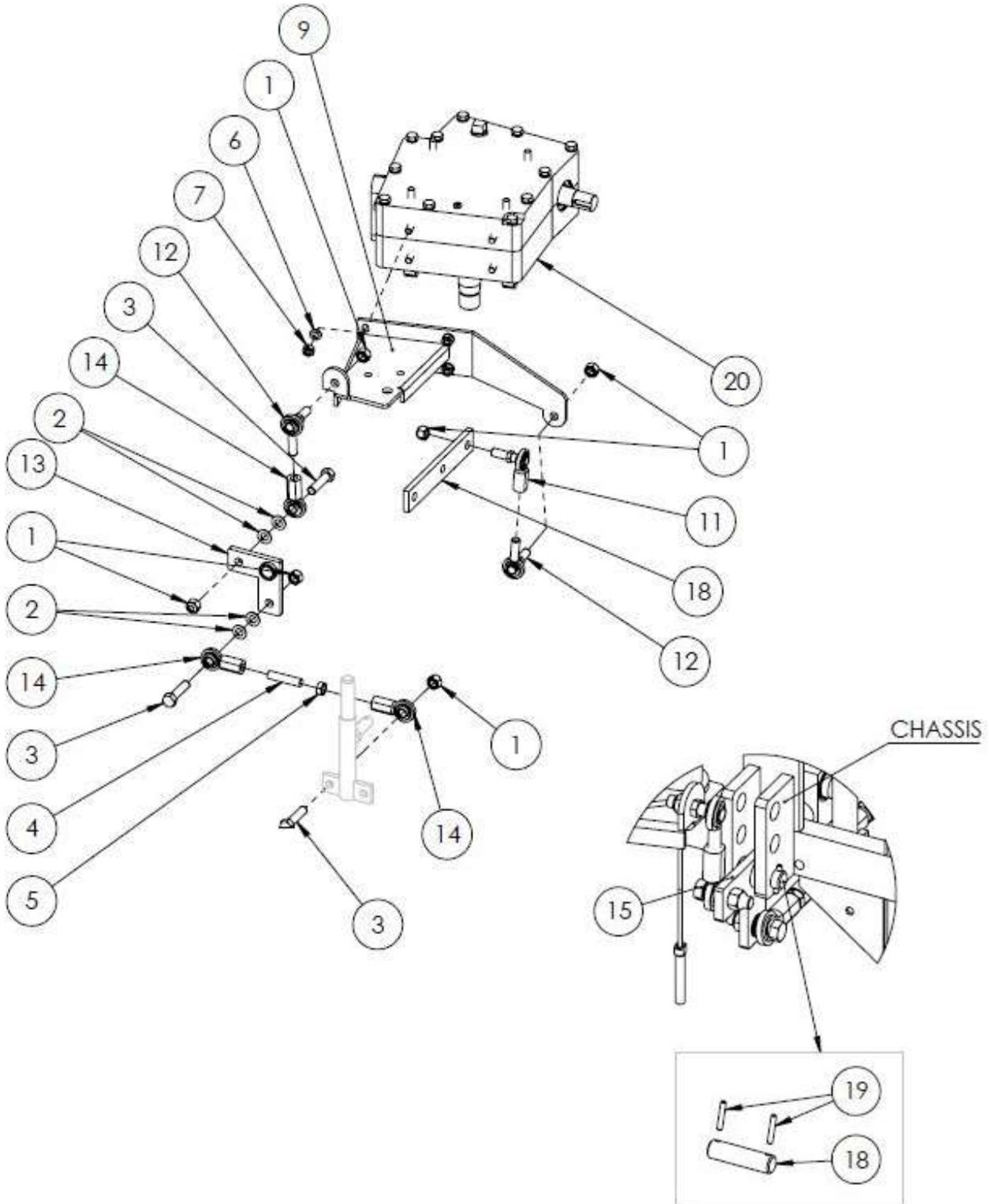


Figure 14: Right Hand Steering Assembly

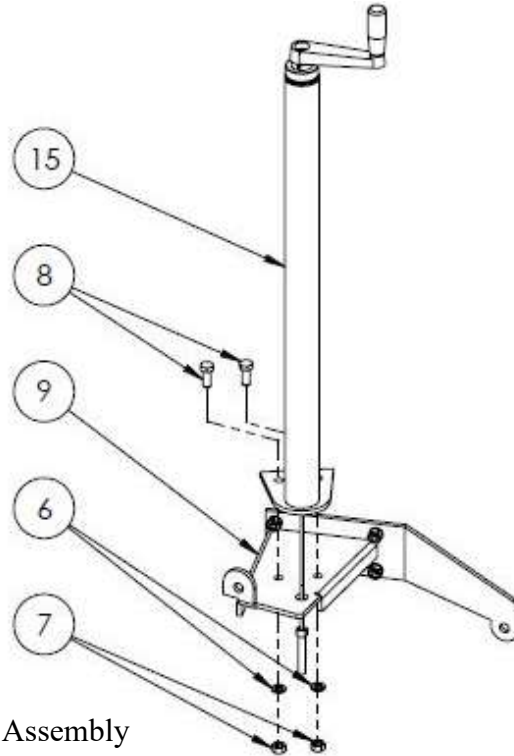


Figure 15: Right Hand Steering Assembly

TITAN, 78 STEERING: 16809 RIGHT HAND SIDE – PARTS LIST 7

| Item # | Part # | Description | QTY | Remarks |
|--------|--------|-----------------------------------|-----|---------|
| 1 | 12517 | NYLOCK NUT, 1/2-20UNF | 2 | |
| 2 | 12930 | WASHER, FLAT, 7/16" DIA, ZP | 4 | |
| 3 | 981260 | HEX BOLT, 1/2-13 UNC x 2 LG | 3 | |
| 4 | 12969 | THREADED ROD 1/2-20 x 2-1/4"LG | 1 | |
| 5 | 12592 | HEX JAM NUT 1/2-20UNF | 1 | |
| 6 | 11621 | LOCKWASHER, M10 | 6 | |
| 7 | 11622 | HEX NUT, M10-1.5 | 6 | |
| 8 | 13348 | HHCS, M10-1.5 X 25MM LG, ZP | 2 | |
| 9 | 16038 | CONTROL ARM, RH | 1 | |
| 11 | 12412 | ROD END PIVOT ASS'Y - FEMALE/MALE | 1 | |
| 12 | 13932 | ROD END - MALE/MALE | 1 | |
| 13 | 16041 | STEERING PIVOT, R/L | 1 | |
| 14 | 12420 | ROD END PIVOT ASS'Y - FEMALE | 3 | |
| 15 | 16114 | TITAN PITCH CONTROL ASSEMBLY | 1 | |
| 18 | 16006 | PIVOT ARM | 1 | |
| 20 | 16020 | RH GEARBOX ASSEMBLY | 1 | |

PARTS LIST 8 – RIDE-ON TROWELS

PITCH CONTROL ASSEMBLY: 16114

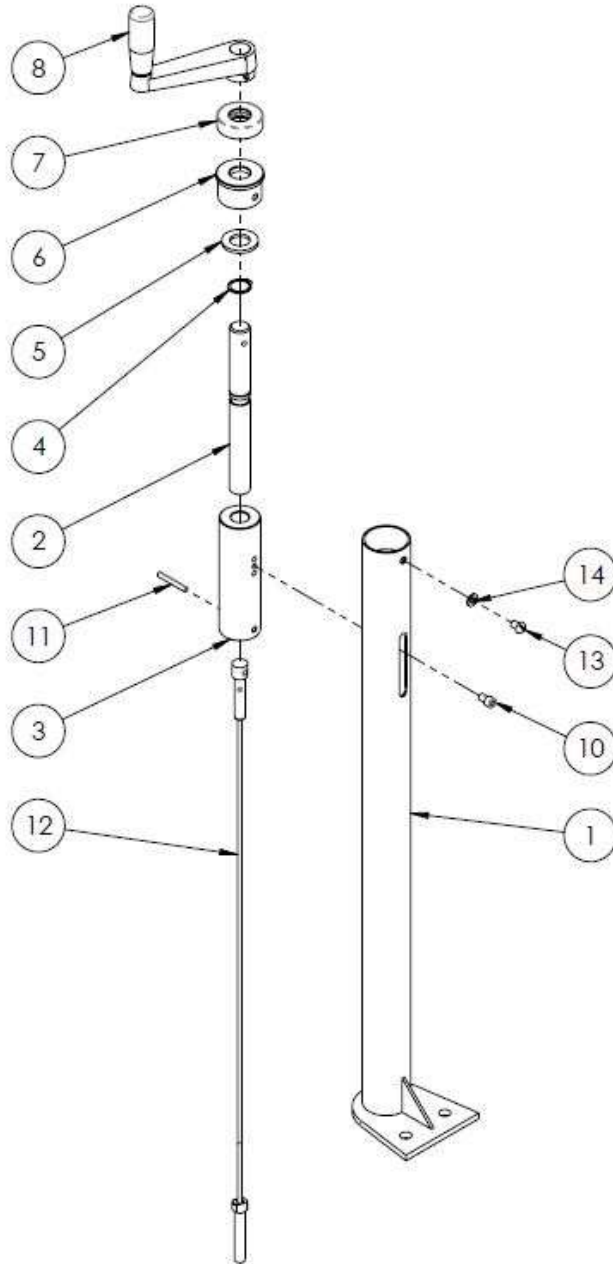


Figure 16: Complete Pitch Control

PITCH CONTROL ASSEMBLY: 16114 – PARTS LIST 8

| Item # | Part # | Description | QTY | Remarks |
|--------|--------|--------------------------------|-----|---------|
| 1 | 14333 | PITCH CONTROL TUBE | 1 | |
| 2 | 10303 | SCREW SHAFT | 1 | |
| 3 | 10308 | THREADED SLIDE BUSHING | 1 | |
| 4 | 10307 | RETAINER | 1 | |
| 5 | 10306 | WASHER 3/4"DIA | 1 | |
| 6 | 10305 | SCREW SHAFT | 1 | |
| 7 | 10304 | BEARING | 1 | |
| 8 | 12893 | CRANK HANDLE ASS'M | 1 | |
| 9 | 10315 | PIN 3/16"DIA x 1-1/4"LG | 1 | |
| 10 | 10510 | SHCS, 1/4"-20UNCx3/8"LG | 1 | |
| 11 | 10309 | SPRING PIN 3/16"DIA x 1-1/2"LG | 1 | |
| 12 | 22539 | PITCH CONTROL CABLE | 1 | |
| 13 | 10511 | RHMS 1/4-20 x 3/8"LG SLOTTED | 1 | |
| 14 | 10521 | LOCKWASHER, 1/4" | 1 | |

PARTS LIST 9 – RIDE-ON TROWELS

TITAN 78, DRIVETRAIN: 16810

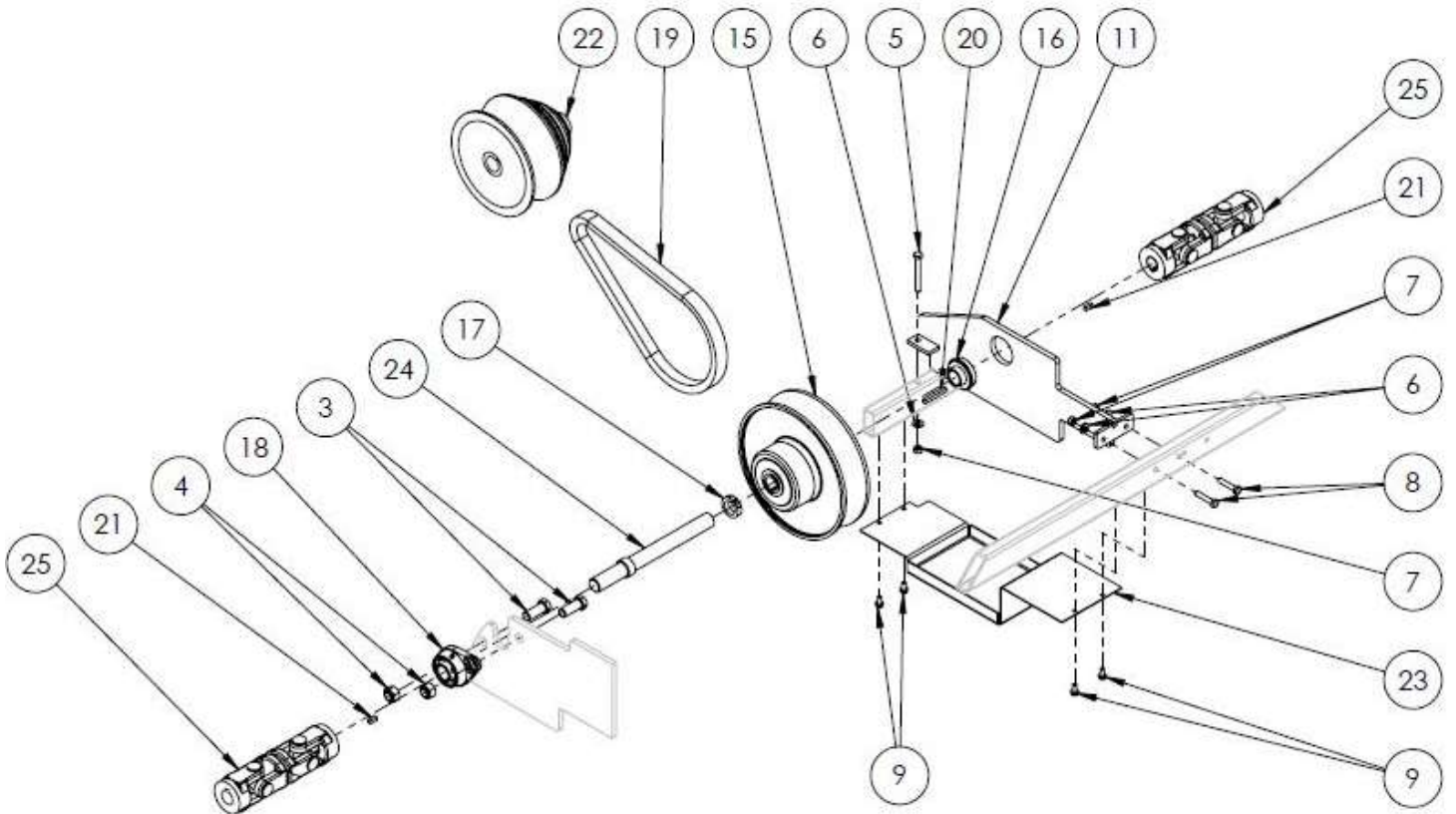


Figure 17: Drivetrain Assembly

TITAN 78, DRIVETRAIN: 16810 – PARTS LIST 9

| Item # | Part # | Description | QTY | Remarks |
|--------|--------|-------------------------------------|-----|---------|
| 3 | 16148 | HHCS, M16-1.5 X 40MM LG | 2 | |
| 4 | 16147 | LOCK NUT, M16-1.5, ZP | 2 | |
| 5 | 11745 | HHCS, M8-1.25 X 55MM LG, ZP | 1 | |
| 6 | 11614 | LOCK WASHER, M8, ZP | 3 | |
| 7 | 11615 | NUT, HEX, M8-1.25, ZP | 3 | |
| 8 | 10452 | HHCS M8 X 40MM | 2 | |
| 9 | 14596 | HWHS 1/4-20 X 1/2"LG THREAD CUTTING | 4 | |
| 11 | 16106 | TITAN BEARING SUPPORT | 1 | |
| 14 | 16064 | U-JOINT DRIVE FLANGE 1" | 2 | |
| 15 | 16185 | DRIVEN PULLEY | 1 | |
| 16 | 16105 | BEARING | 1 | |
| 17 | 16111 | SHAFT COLLAR | 1 | |
| 18 | 12453 | FLANGE BEARING | 1 | |
| 19 | 14879 | V-BELT BX36 | 1 | |
| 20 | 11003 | KEY 1/4" SQ X 2"LG | 1 | |
| 21 | 16149 | KEY 1/4" SQ X 5/8"LG | 2 | |
| 22 | 16184 | CVT DRIVE CLUTCH | 1 | |
| 23 | 16141 | CVT SPLASH GUARD SMALL | 1 | |
| 24 | 16066 | TITAN 78 SHAFT | 1 | |
| 25 | 13767 | U-JOINT DRIVE COUPLING | 2 | |

PARTS LIST 10 – RIDE-ON TROWELS

DRIVETRAIN ASSEMBLY DRAWING: 16800

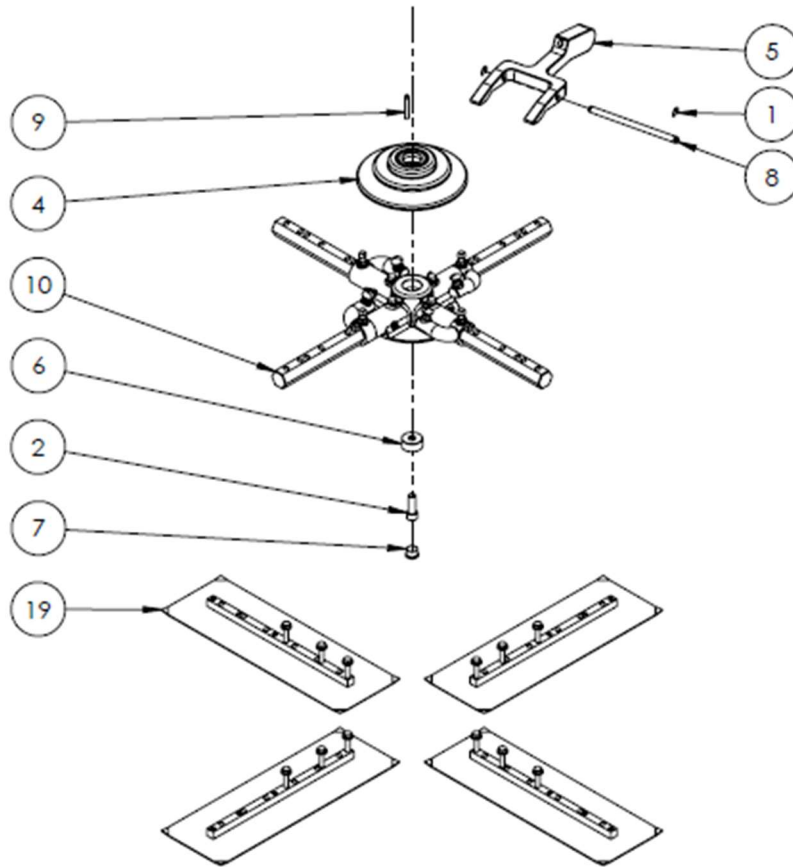
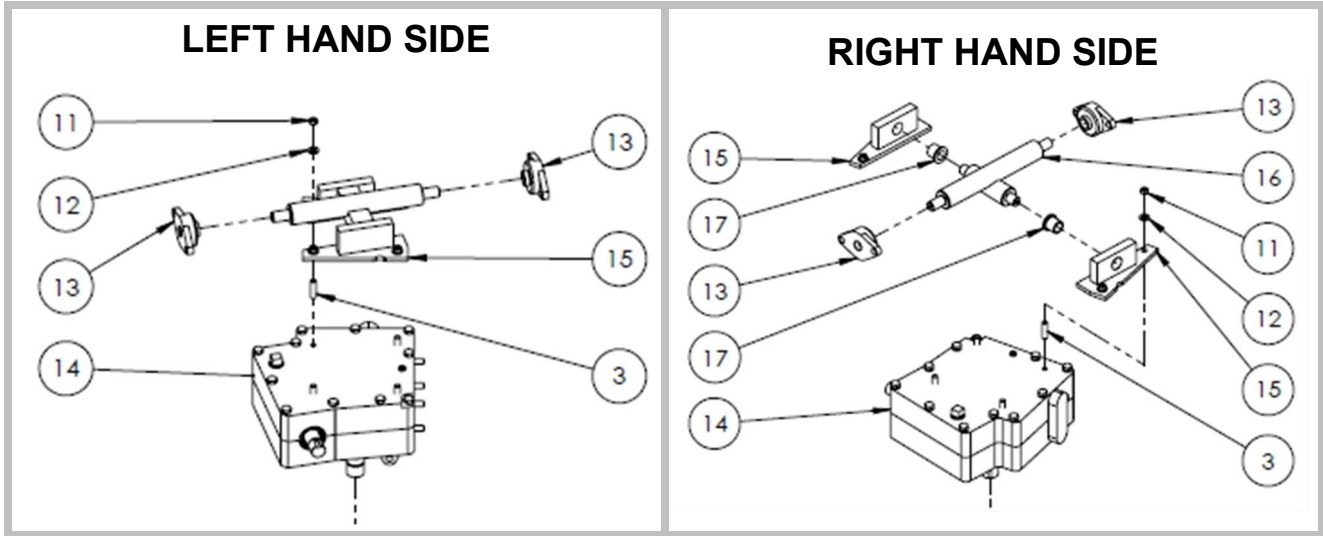


Figure 18: Drivetrain Assembly

DRIVETRAIN ASSEMBLY: 16800 – PARTS LIST 10

| Item # | Part # | Description | QTY | Remarks |
|--------|--------|---------------------------------------|-----|---------|
| 1 | 10913 | RETAINING RING 7/16"DIA SHAFT | 2 | |
| 2 | 10802 | SHCS 1/2"-13, 1.5" LG | 1 | |
| 3 | 11389 | M10X1.5X37MM STUD | 8 | |
| 4 | 20626 | PRESSURE PLATE ASSEMBLY LG | 1 | |
| 5 | 10311 | YOKE ARM LARGE | 1 | |
| 6 | 10804 | SPIDER PLATE RETAINING WASHER (LARGE) | 1 | |
| 7 | 10823 | CAP PLUG | 1 | |
| 8 | 10914 | YOKE ARM PIN | 1 | |
| 9 | 22800 | SPIDER ROUND END KEY | 1 | |
| 10 | 16017 | 4-BLADE SPIDER PLATE ASSEMBLY (CCW) | 1 | |
| | 16016 | 4-BLADE SPIDER ASSEMBLY (CW) | 1 | |
| 11 | 11622 | NUT, HEX, M10-1.25, ZP | 4 | |
| 12 | 11621 | LOCK WASHER, M10, ZP | 4 | |
| 13 | 13570 | FLANGE BEARING | 2 | |
| 14 | 16021 | LH TITAN GEARBOX ASS'M | 1 | |
| | 16020 | RH TITAN GEARBOX ASS'M | 1 | |
| 15 | 16009 | LH GEARBOX MOUNTING BRACKET | 1 | |
| | 16007 | RH GEARBOX MOUNTING BRACKET | 2 | |
| 16 | 16008 | RIGHT MOUNTING BRKT ASSY | 1 | |
| 17 | 12593 | FLANGED BUSHING | 2 | |
| 19 | 20660 | BLADE KIT, FINISH | 1 | |
| | 20661 | BLADE KIT, COMBO | 1 | |

PARTS LIST 11 – RIDE-ON TROWELS

GEARBOX ASSEMBLY: 16020 AND 16021 16021 Shown

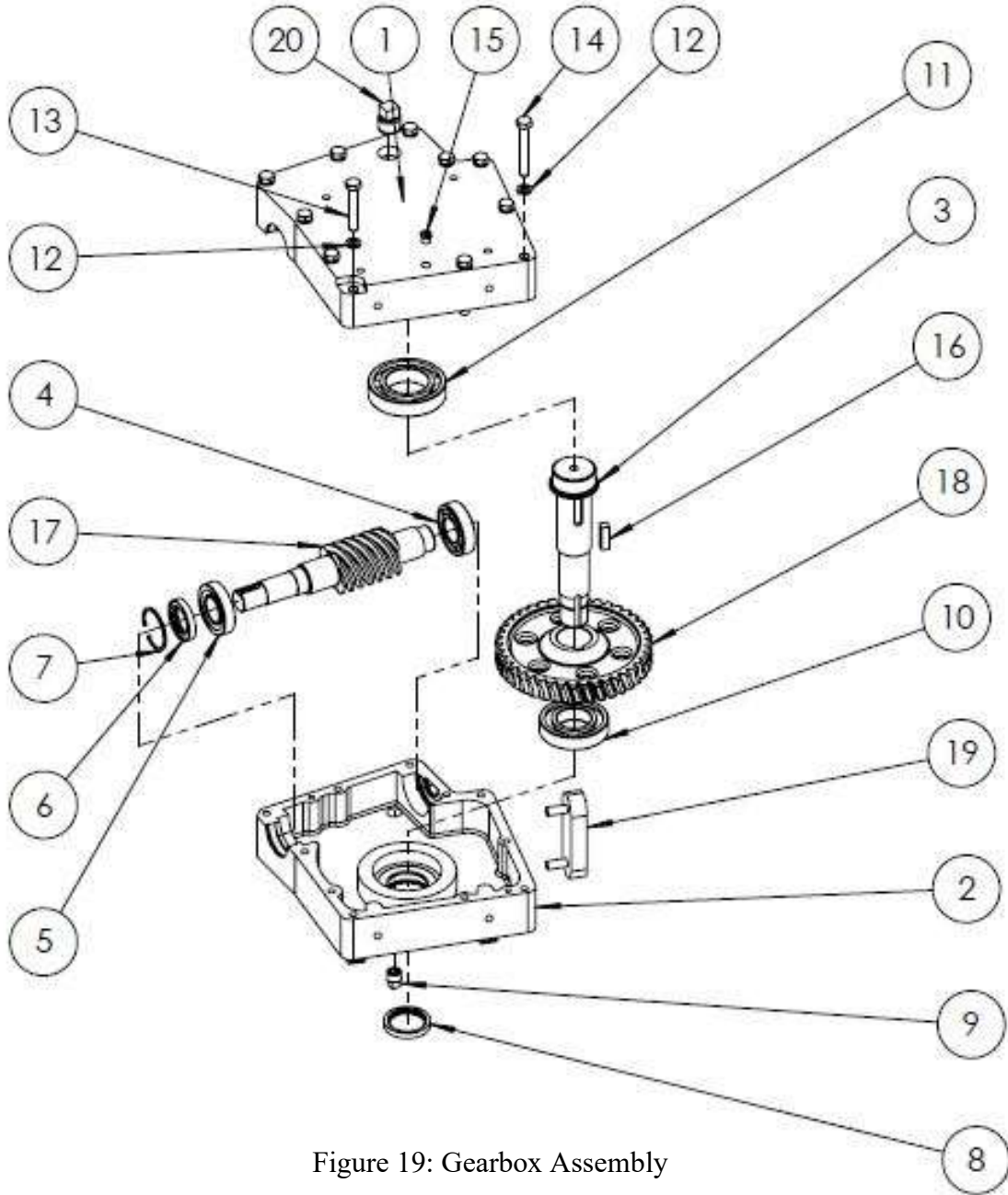


Figure 19: Gearbox Assembly

GEARBOX ASSEMBLY: BRT78 – PARTS LIST 11

| Item # | Left Side 16021 | Right Side 16020 | Description | QTY | Remarks |
|--------|--------------------|---------------------|-----------------------------|-----|---------|
| 1 | 16022 | 16024 | GEARBOX - TOP | 1 | |
| 2 | 16023 | 16025 | GEARBOX - BOTTOM | 1 | |
| 3 | 16026 | | MAIN SHAFT | 1 | |
| 4 | 13911 | | WORMSHAFT BEARING | 1 | |
| 5 | 13509 | | TAPER ROLLER BEARING | 1 | |
| 6 | 13912 | | OIL SEAL | 1 | |
| 7 | 13913 | | INTERNAL RETAINING CLIP | 1 | |
| 8 | 13967 | | MAIN SEAL - GEARBOX | 1 | |
| 9 | 10911 | | PLUG 3/8 NPT | 1 | |
| 10 | 13910 | | MAINSHAFT BEARING - BOTTOM | 1 | |
| 11 | 13909 | | MAINSHAFT BEARING - TOP | 1 | |
| 12 | 11621 | | LOCKWASHER 10MM | 11 | |
| 13 | 13350 | | HHCS, M10-1.5 X 60MM LG, ZP | 1 | |
| 14 | 13349 | | HHCS, M10-1.5 X 70MM LG, ZP | 10 | |
| 15 | 10909 | | RELIEF VALVE | 1 | |
| 16 | 13919 | | 3/8" SQ, KEY 1.25" LG | 1 | |
| 17 | 16028 | 16030 | WORM SCREW | 1 | |
| 18 | 16027 | 16029 | WORM WHEEL | 1 | |
| 19 | 16144 | | LEVEL INDICATOR | 1 | |
| 20 | 16143 | | 3/4" NPT PLUG | 1 | |

PARTS LIST 12 – RIDE-ON TROWELS

SPIDER PLATE ASSEMBLY: 16017

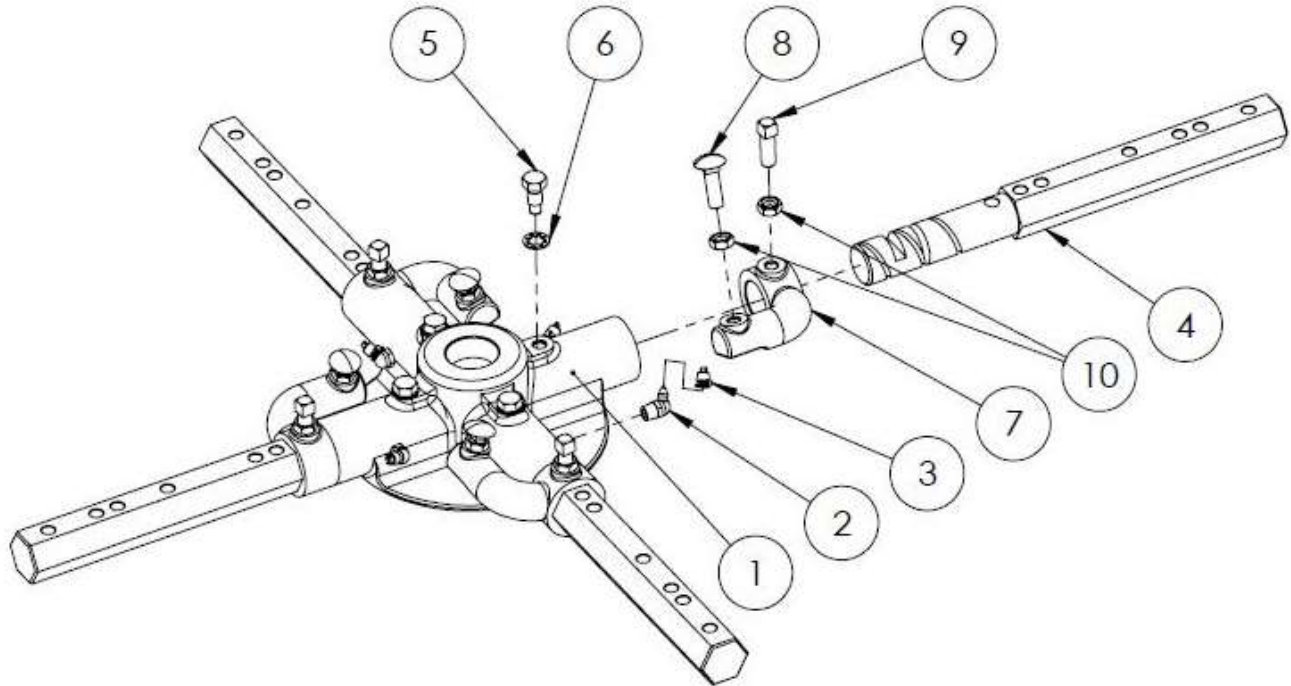


Figure 20: Complete Spider Plate

SPIDER PLATE ASSEMBLY (GREASE): 16017 – PARTS LIST 12

| Item # | Left Side, CW 16016 | Right Side, CCW 16017 | Description | QTY | Remarks |
|--------|------------------------|--------------------------|----------------------------------|-----|---------|
| 1 | 14159 | 14160 | 4 SPOKE SPIDER PLATE | 1 | |
| 2 | 10801 | | GREASE FITTING, 65 DEG, 1/8 NPT | 4 | |
| 3 | 10822 | | CAP GREASE, NIPPLE, 1/8 ALEMITE | 4 | |
| 4 | 16015 | | TITAN SPIDER ARM | 4 | |
| 5 | 10806 | | 3/8-UNC DOG POINT BOLT | 4 | |
| 6 | 10805 | | LOCKWASHER, INT. STAR 3/8 STEEL | 4 | |
| 7 | 14162 | 14163 | LIFT LEVER | 4 | |
| 8 | 10807 | | CARRIAGE BOLT, 3/8-16 X 1-1/4"LG | 4 | |
| 9 | 10809 | | SHSS, 3/8-16 X 1" LG. STEEL | 4 | |
| 10 | 10808 | | HEX JAM NUT 3/8-16 UNC | 8 | |

PARTS LIST 13 – RIDE-ON TROWELS

PRESSURE PLATE ASSEMBLY: 20626

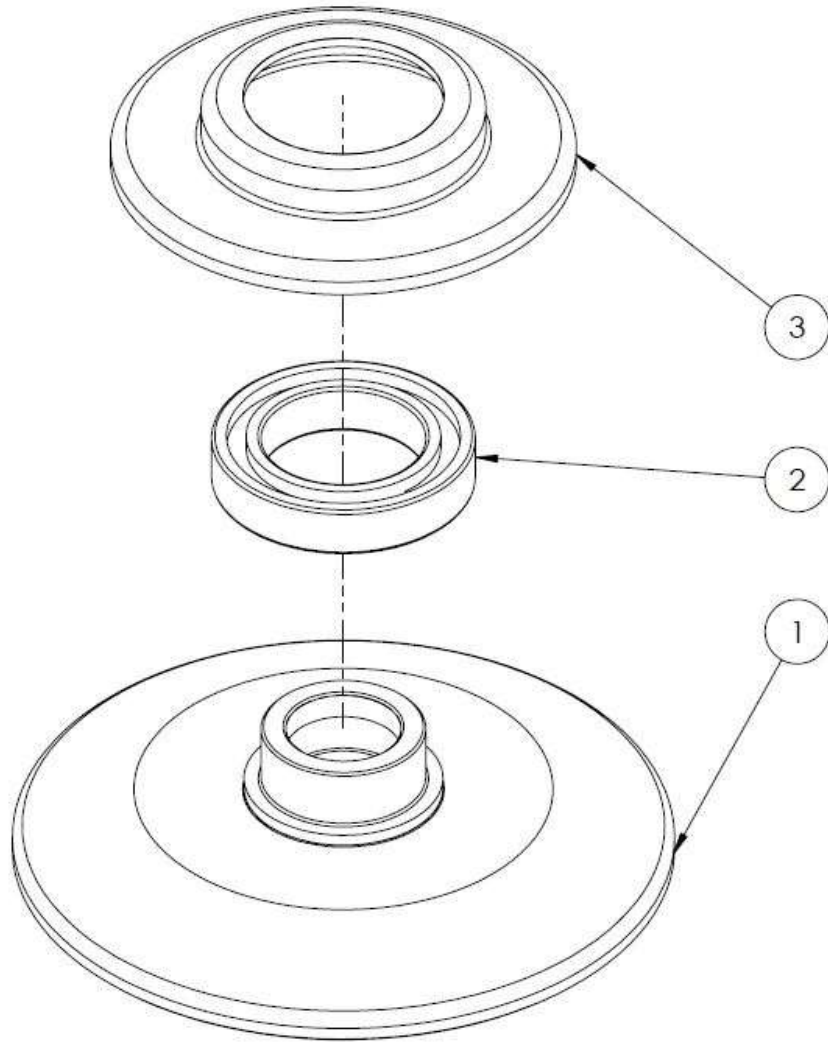


Figure 21: Pressure Plate Assembly

PRESSURE PLATE ASSEMBLY: 20626 – PARTS LIST 13

| Item # | Part # | Description | QTY | Remarks |
|--------|--------|--------------------------|-----|---------|
| 1 | 10659 | LARGE PRESSURE PLATE | 1 | |
| 2 | 10663 | LARGE THRUST BEARING | 1 | |
| 3 | 10667 | LARGE PRESSURE PLATE CAP | 1 | |

PARTS LIST 14 – RIDE-ON TROWELS

TROWEL BLADE ASSEMBLY: BRT78
Finish Blades Shown

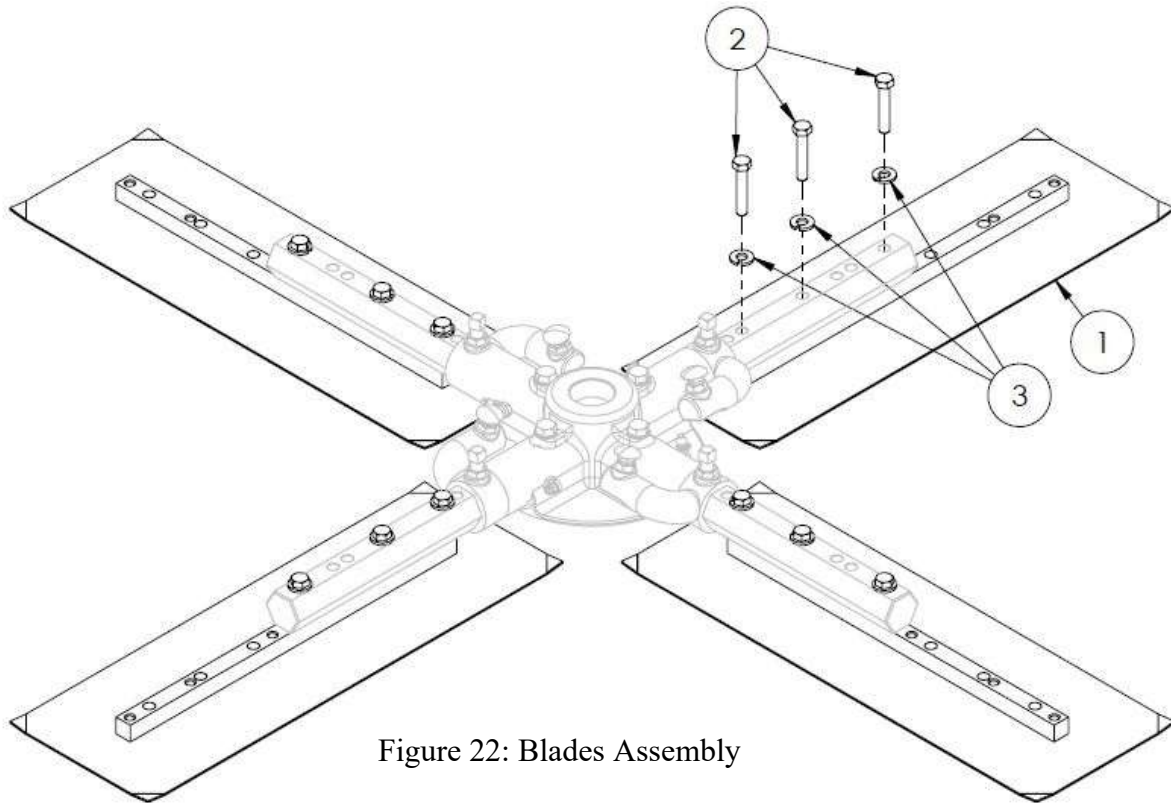


Figure 22: Blades Assembly

TROWEL BLADE ASSEMBLY: BRT78 (6x14 Finish – 4 Blades) METRIC – PARTS LIST 14

| Item # | Part # | Description | QTY | Remarks |
|--------|--------|--------------------------|-----|---------|
| 1 | 20660 | 6X14 METRIC TROWEL BLADE | 4 | |
| 2 | 10453 | HHCS M8-1.25 X 50MM | 8 | |
| 3 | 11614 | LOCK WASHER 8MM | 8 | |

TROWEL BLADE ASSEMBLY: BRT78 (8x14 Combo – 4 Blades) – PARTS LIST 14

| Item # | Part # | Description | QTY | Remarks |
|--------|--------|-----------------------------------|-----|---------|
| 1 | 20661 | 6X14 METRIC COMBO BLADE | 4 | |
| 2 | 10401 | HHCS 5/16-18 X 1-1/2" LG, GRADE 5 | 8 | |
| 3 | 10402 | LOCK WASHER Ø5/16" | 8 | |

PARTS LIST 15 – RIDE-ON TROWELS

WEIGHT PACKAGE (OPTION): 16091

*Can hold up to 12 weights

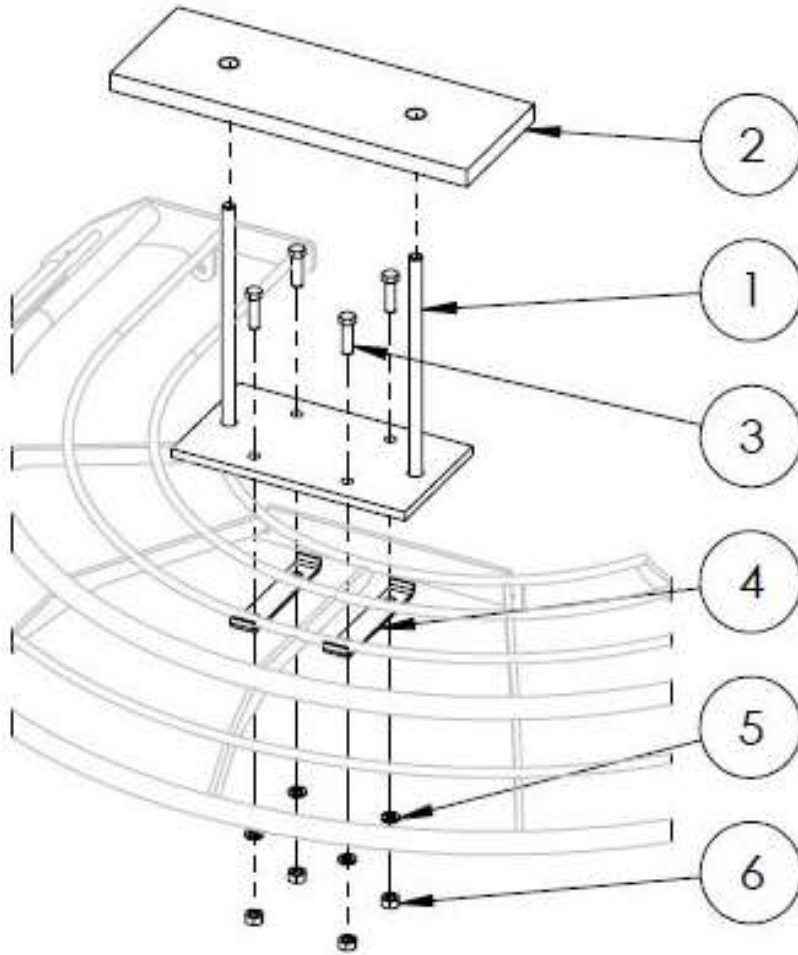


Figure 23: Weight Package Assembly

WEIGHT PACKAGE (OPTION): 16091 – PARTS LIST 15

| Item # | Part # | Description | QTY | Remarks |
|--------|--------|--------------------------|-----|---------|
| 1 | 16077 | WEIGHT HOLDER | 1 | |
| 2 | 16078 | WEIGHT 18LB EACH | 12 | |
| 3 | 10889 | HHCS, M10-1.5 X 30MM LG. | 4 | |
| 4 | 16138 | BRACKET | 2 | |
| 5 | 11621 | LOCKWASHER 10MM | 4 | |
| 6 | 11622 | HEX NUT, M10-1.5 | 4 | |

PARTS LIST 16 – RIDE-ON TROWELS

RETARDANT SPRAYER (OPTION): 16099

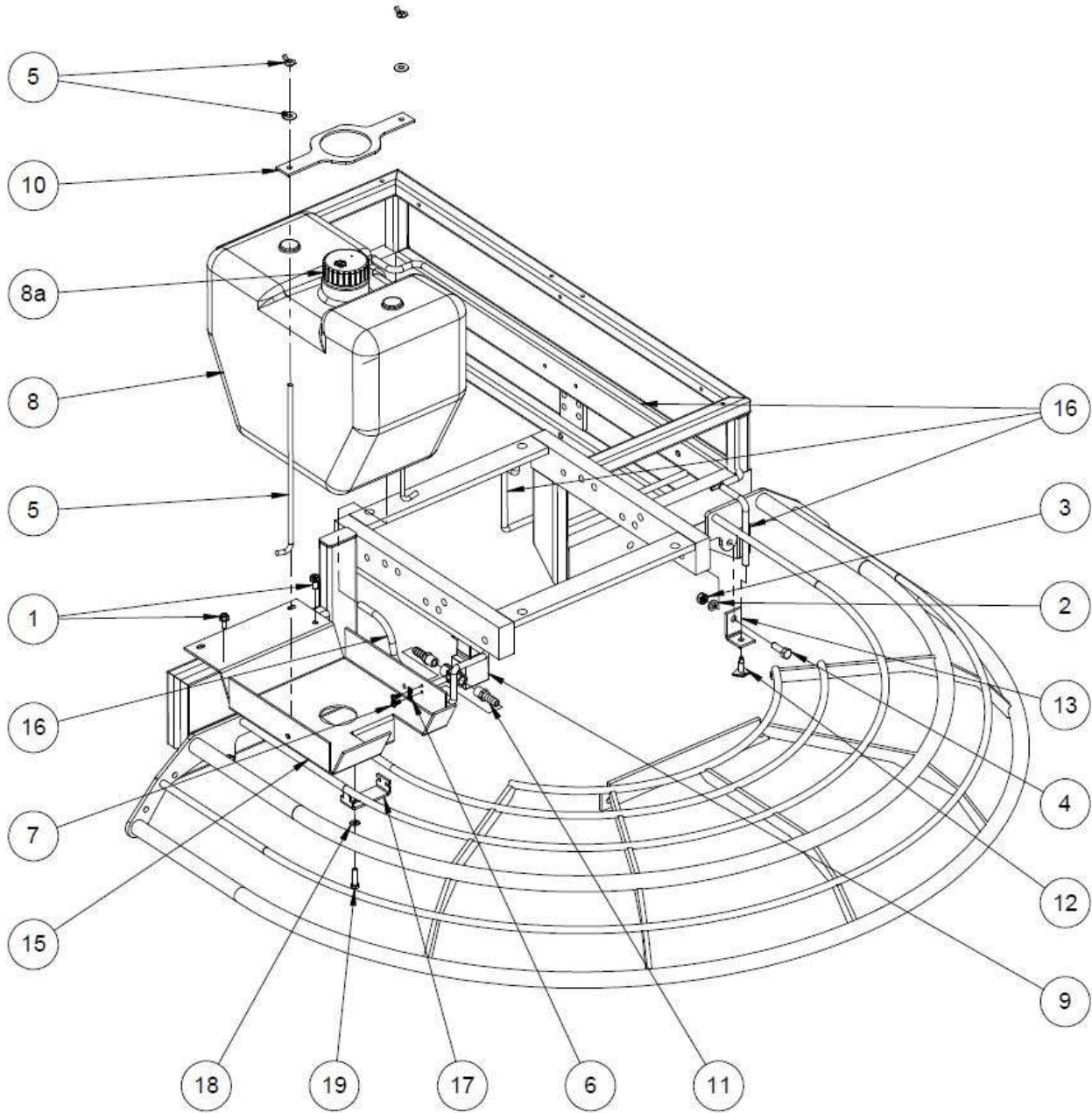


Figure 24: Retardant Sprayer Assembly

RETARDANT SPRAYER(OPTION): 16099 – PARTS LIST 16

| Item # | Part # | Description | QTY | Remarks |
|--------|---------|-------------------------------------|-----|---------|
| 1 | 14596 | HWHS 1/4-20 x 1/2"LG THREAD CUTTING | 2 | |
| 2 | 11614 | LOCK WASHER, M8, ZP | 1 | |
| 3 | 11615 | NUT, HEX, M8-1.25 | 1 | |
| 4 | 11619 | HHCS, M8-1.25 X 25MM LG | 1 | |
| 5 | 13839 | HOLD DOWN BOLT w/ WING NUT, WASHER | 1 | |
| 6 | 10703 | LOCK WASHER, INTERNAL TOOTH, #10 | 2 | |
| 7 | 11035 | PHMS M4-0.7 X 8MM LG | 2 | |
| 8 | 18133 | SPRAY SYS TANK, ASSEMBLY | 1 | |
| 8a | 18140 | SPRAY SYS TANK CAP | 1 | |
| 9 | 14234 | SOLENOID w/VALVE, 12VDC | 1 | |
| 10 | 16155 | WATER TANK HOLD DOWN BAR | 1 | |
| 11 | 14696 | BRASS FITTING - HOSE BARB | 2 | |
| 12 | 14179 | SPRAY NOZZLE | 2 | |
| 13 | 16137 | SPRAY NOZZLE BRACKET | 2 | |
| 14 | 18143 | TEE, 3/16" | 1 | |
| 15 | 16124 | RETARDANT TANK HOLDER | 1 | |
| 16 | | RETARDANT HOSES | | |
| 17 | 16124-3 | WATER TANK HOLDER BRACKET | 1 | |
| 18 | 11620 | LOCKWASHER, M6 | 1 | |
| 19 | 30281 | HHCS, M6-1.0x25MM, ZP | 1 | |

PARTS LIST 17 – RIDE-ON TROWELS

TRANSPORTER (OPTION): 16095

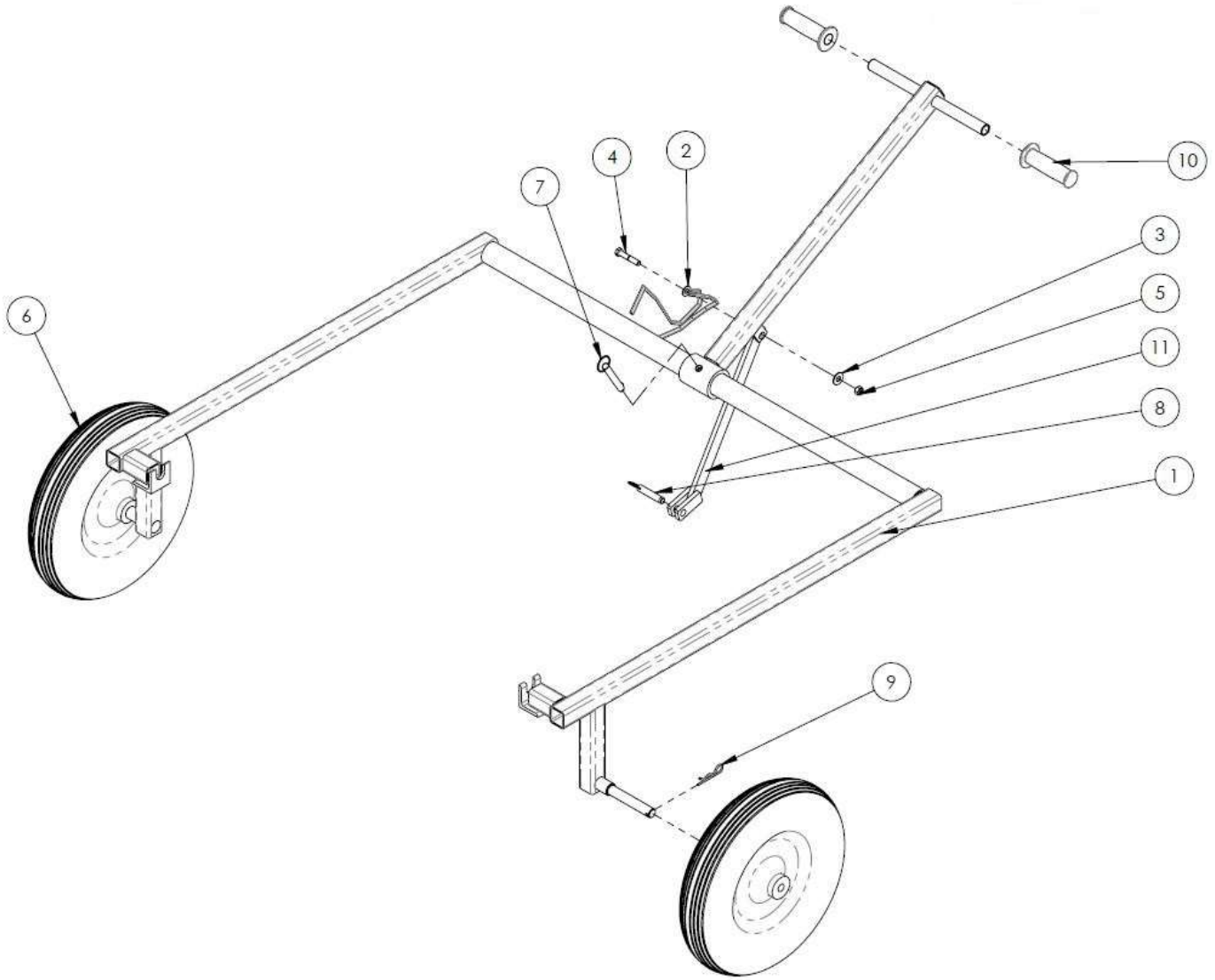


Figure 24: Retardant Sprayer Assembly

TRANSPORTER: 16083 (OPTION) – PARTS LIST 17

| Item # | Part # | Description | QTY | Remarks |
|--------|--------|-----------------------------|-----|---------|
| 1 | 16107 | TRANSPORTER FRAME ASSEMBLY | 1 | |
| 2 | 12860 | CHAIN LINK WITH 3/8" WASHER | 1 | |
| 3 | 10905 | FLAT WASHER, 3/8" | 1 | |
| 4 | 12859 | HHCS 3/8-16 UNC x 2" LG | 1 | |
| 5 | 10317 | 3/8-16 UNC LOCKNUT, NYLON | 1 | |
| 6 | 13198 | WHEEL, 16" DIA x 4" HUB | 2 | |
| 7 | 12487 | HITCH PIN LARGE 3-1/2" LG | 1 | |
| 8 | 12488 | HITCH PIN LARGE 2-1/2" LG | 1 | |
| 9 | 50265 | COTTER PIN 1/8" DIA | 2 | |
| 10 | 10509 | HANDLE GRIP | 2 | |
| 11 | 16093 | TRANSPORTER PICKUP BAR | 1 | |

Intentionally Left Blank

Intentionally Left Blank

CONTRACTOR PROVEN EQUIPMENT SINCE 1946



170 Traders Blvd E
Mississauga, ON L4Z 1W7
Canada

4701 Allmond Avenue
Louisville, KY 40209
United States

200 Commerce Drive
Freehold, NJ 07728
United States

Honeyholes Lane
Dunholme, Lincoln LN2 3SU
United Kingdom



BartellGlobal.com