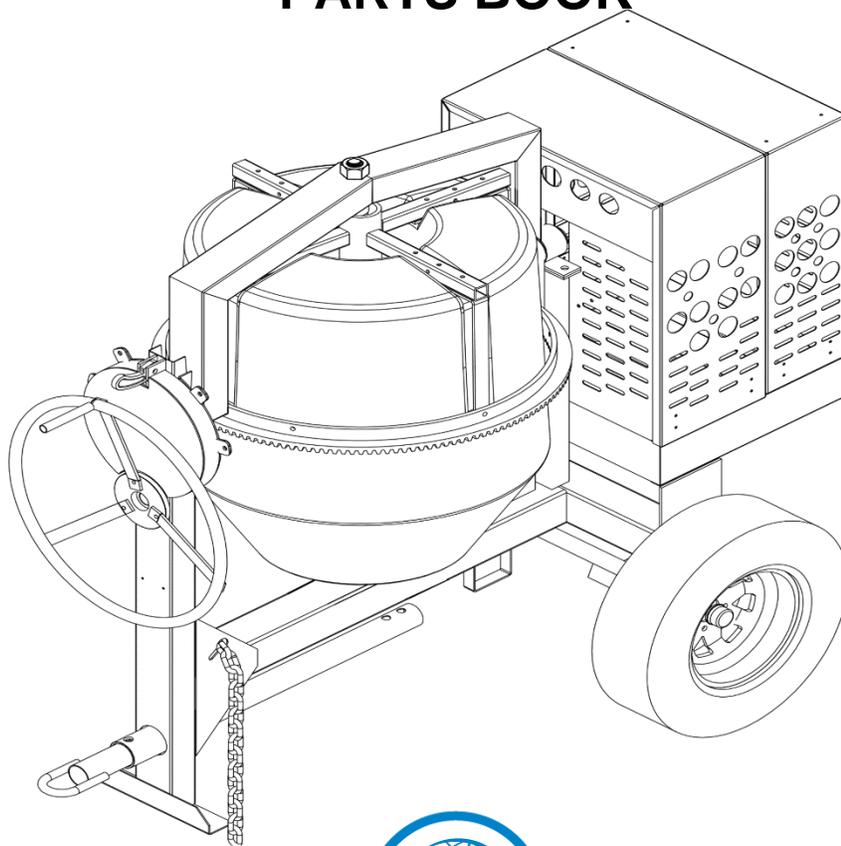




CONCRETE MIXER

MC75SH160, MC75SE200, MC95PH240,
MC95PE200, MC95SH240, MC95SE200, MC12SH390

PARTS BOOK



www.BARTELLGLOBAL.com



www.BARTELLGLOBAL.com

Bartell Morrison Inc.
170 Blvd E
Mississauga, Ontario, Canada
L4Z 1W7
Tel: (647) 953-4100
Fax: (647) 953-4101

Bartell Morrison USA LLC
200 Commerce Drive, Unit A
Freehold, NJ, USA
07728
Tel: (848) 225-8100
Fax: (848) 225-8101

SPE International Ltd
Honeyholes Lane
Dunholme, Lincoln, England
LN2 3SU
Tel: 01673 860709
Fax: 01673 861119

Innovatech
4701 Allmond Ave
Louisville, Kentucky, USA
40209
Tel: (425) 405-9100
Fax: (425) 405-9101

ORIGINAL LANGUAGE

© 2019 Bartell Morrison Inc.

No part of this work may be reproduced or transmitted in any form or by any means, electronic or mechanical, including photocopying and recording, or by any information storage or retrieval system without the prior written permission of Bartell Morrison Inc. unless such copying is permitted by federal copyright laws.

Address inquiries or reference permissions care of:
Bartell Morrison Inc., 170 Traders Blvd E., Mississauga, Ontario, Canada, L4Z 1W7

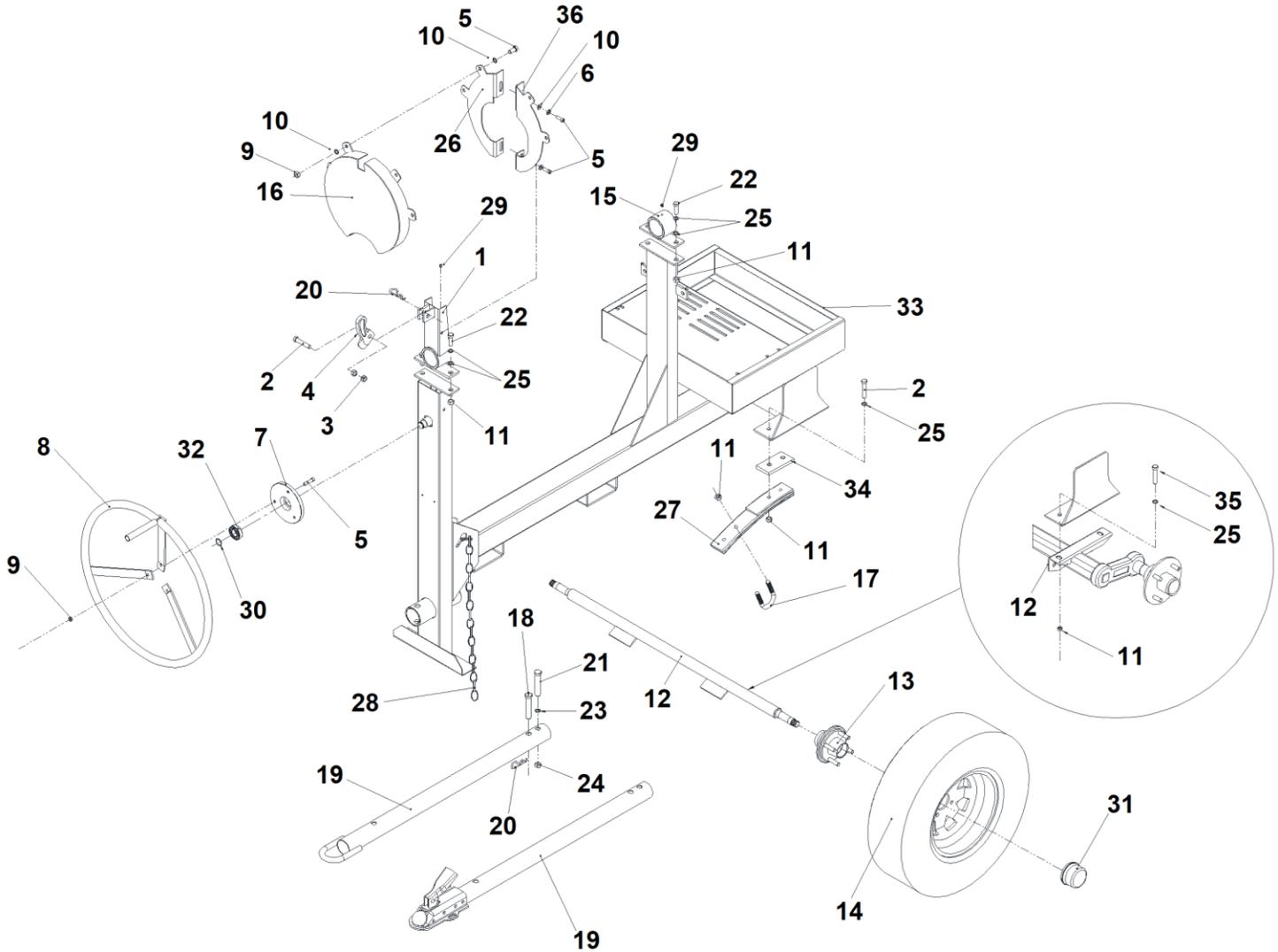
REV.	DATE	DESCRIPTION	APPROVED BY:
00	04/18	Release of new format	B.M
01	12/20	Updated Parts Diagram	A.N

TABLE OF CONTENTS

PARTS LIST 1: CONCRETE MIXER	3
FRAME ASSEMBLY DIAGRAM	3
FRAME ASSEMBLY PARTS LIST 1	4
PARTS LIST 2: CONCRETE MIXER	5
DRUM ASSEMBLY DIAGRAM	5
DRUM ASSEMBLY PARTS LIST 2	6
PARTS LIST 3: CONCRETE MIXER	7
POLY DRUM ASSEMBLY DIAGRAM	7
POLY DRUM ASSEMBLY PARTS LIST 3	8
PARTS LIST 4: CONCRETE MIXER	9
TRANSMISSION ASSEMBLY DIAGRAM	9
TRANSMISSION ASSEMBLY PARTS LIST 4	9
PARTS LIST 5: CONCRETE MIXER	10
HOOD ASSEMBLY DIAGRAM	10
HOOD ASSEMBLY PARTS LIST 5	10

PARTS LIST 1: CONCRETE MIXER

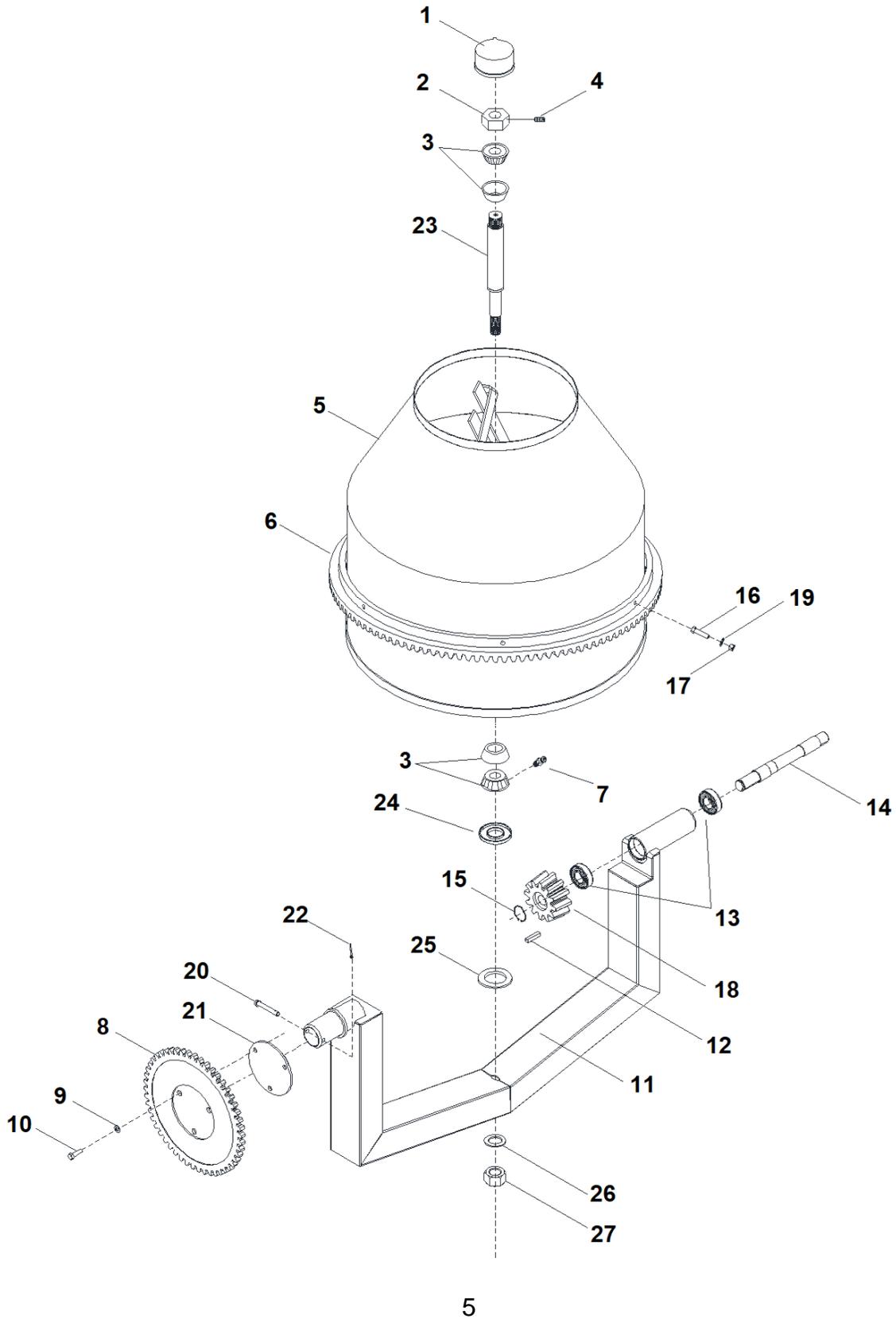
FRAME ASSEMBLY DIAGRAM



FRAME ASSEMBLY PARTS LIST 1					
ITEM #	PART #	DESCRIPTION	MC75	MC95	MC12
1	C103-T	STEERING WHEEL BRAKE (T-FRAME)	1	1	1
2	C146	HEX BOLT HD 1/2" X 2-1/2"	5	5	5
3	T190	HEX LOCK NUT 1/2"	2	2	2
4	C104	STEERING WHEEL LOCK PIN BREAK	1	1	1
5	T176	HEX BOLT 3/8" X 1-1/2"	3	3	3
6	T113	LOCK WASHER 3/8"	4	4	4
7	C536	CONTROL HANDLE BLOCK 5-15/16" E.D. X 1-1/4" W/6205 (NEW)	1	1	1
8	C110	STEERING WHEEL HANDLE W/ GRIP	1	1	1
9	T114	HEX LOCK NUT 3/8"	3	3	3
10	T112	PLAIN WASHER 3/8"	12	12	12
11	T106	HEX LOCK NUT 1/2"	12	12	12
12	C134	STANDARD CM AXLE, ASSY INCLUDES HUBS	1	1	1
12	702205	TORSION AXLE (UPGRADE) FOR CM (NEW)	1 OP	1 OP	1 OP
13	T129-1	WHEEL HUB W/ 1" BRG L44643 & DUST CAP (NEW)	2	2	2
14	T137-12	WHEEL & TIRE ASSY 4.8 X 12"	2		
14	T137	WHEEL & TIRE ASSY 165-80 R13"	2	2	2
15	C537	DRUM YOKE PILLOW BLOCK	1	1	1
16	C538	CONTROL HANDLE SAFETY GEAR GUARD FRONT	1	1	1
17	C166	CM/HM AXLE U-CLAMP	2	2	2
18*	T121	TOWING HITCH, LOCK PIN 3/4"	1	1	1
18	C539	TOWING HITCH, LOCK PIN 5/8"	1	1	1
19	T119-V	2" BALL HITCH VERTICAL HOLE	1	1	1
19	T118-V	PINTLE HITCH VERTICAL HOLE	1	1	1
20	T110	3/6" COTTER PIN	2	2	2
21*	T122	TOWING HITCH, HEX HEAD SCREW 3/4" X 3-1/2"	1	1	1
21	C540	TOWING HITCH, HEX HEAD SCREW 5/8" X 3-1/2"	1	1	1
22	T595	HEX BOLT HD GR5 1/2" X 1-1/2"	4	4	4
23*	T123	TOWING HITCH, SPRING WASHER 3/4"	1	1	1
23	C541	TOWING HITCH, SPRING WASHER 5/8"	1	1	1
24*	T124	TOWING HITCH, HEX NUT, 3/4 NF (2018)	1	1	1
24	C542	TOWING HITCH, HEX NUT, 5/8 NF	1	1	1
25	T112	SPING WASHER 1/2"	12	12	12
26	C543	CONTROL HANDLE GEAR GUARD RIGHT (T-FRAME)	1	1	1
27	C165	CM AXLE LEIFS SPRINGS SET (2)	2	2	2
28	T501	5/16 SAFETY CHAIN W/ OVAL SNAPS	1	1	1
29	C155	FTG, GREASE ST 1/8 NPT	2	2	2
30	C151	RETAINING OMEGA RING - 1-15/16"	1	1	1
31	T136-1	DUST CAP FOR WHEEL HUBS 1.98" (NEW)	2	2	2
31		TORSION AXLE DUST CAP 2" (NEW)	2	2	2
32	C154	BALL BEARING, 6205	1	1	1
33	C545	CM T-FRAME ALL MODELS 2019	1	1	1
34	C556	SPRING LEIFS SPACER SET (2)	2	2	2
35	T189	HEX BOLT 1/2 X 1-3/4"	4	4	4
36	C544	CONTROL HANDLE GEAR GUARD RIGHT (T-FRAME)	1	1	1

PARTS LIST 2: CONCRETE MIXER

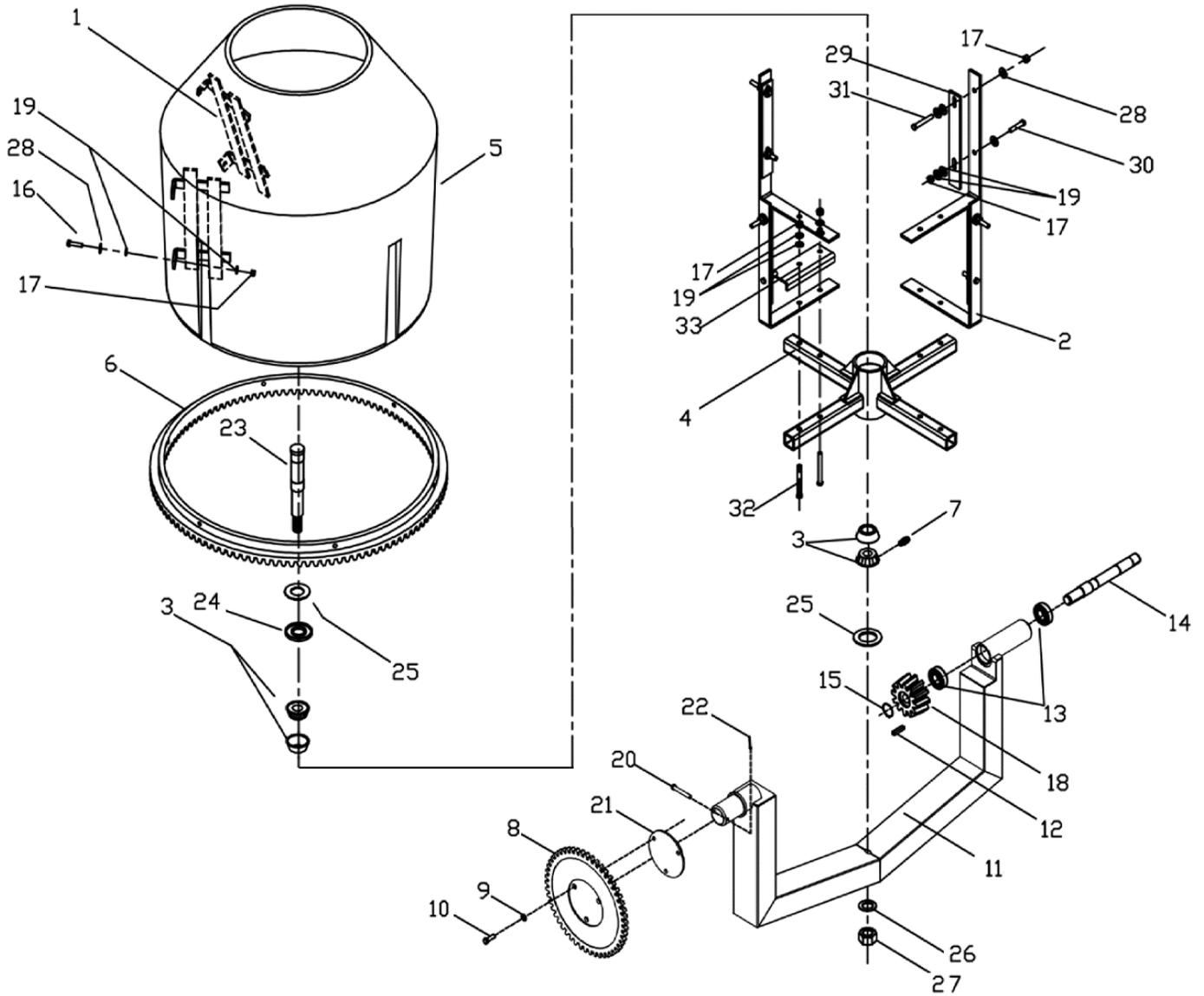
DRUM ASSEMBLY DIAGRAM



DRUM ASSEMBLY PARTS LIST 2					
ITEM #	PART #	DESCRIPTION	MC75	MC95	MC12
1	C118	INSIDE DRUM CAP	1	1	1
2	C117	HEX NUT, 1-3/8"	2	2	2
3	C150	BALL BEARING, TRB CO&SL 4T-LM67048L (W/ CUP BA2788/20)	2	2	1
3	C171	BALL BEARING, LM104949 (BEFORE 2012 CM12V & NEW CM12T)			1
4	C116	ALLEN SCREW 3/8 X 1/2	2	2	2
5	C119	BARE DRUM (WITH WELDED PADDLES)	1		
5	C119-T	DRUM ASSEY (YOKE, SHAFT, BRGS (2) & RING G.) T-FRAME	1		
5	C120	BARE DRUM (WITH WELDED PADDLES)		1	
5	C120-T	DRUM ASSEY (YOKE, SHAFT, BRGS (2) & RING G.) FRAME		1	
5	C121	BARE DRUM (WITH WELDED PADDLES)			1
5	C121-T	DRUM ASSEY (YOKE, SHAFT, BRGS (2) & RING G.) T-FRAME			1
6	C122	RING GEAR (115 TH 32-7/8" DIA)	1	1	1
7	C155	FTG, GREASE ST 1/8 NPT	1	1	1
8	C554	STEERING WHEEL GEAR 14" (DUCTILE CASTING)	3	3	3
9	T112	SPING WASHER 1/2"	3	3	3
10	C555	HEX BOLT HD, 1/2 X 1	3	3	3
11	C549	DRUM YOKE (T-FRAME)	1	1	
11	C550	DRUM YOKE (T-FRAME)			1
12	T483	KEY 1/4 X 1-1/4	1	1	1
13	C154	BALL BEARING, 6205 (JEL205-100W3)	2	2	2
14	C124	TRANS. SHAFT CM SHAFT 1 1/16 X 9 3/4"	1	1	1
15	C151	RETAINING OMEGA RING - 1-15/16"	1	1	1
16	C141	HEX BOLT 3/8" X 1-1/2"	6	6	6
17	C142	HEX LOCK NUT 3/8"	6	6	6
18	C123	PINION 12 TOOTH (FOR NEW CM)	1	1	1
19	T112	PLAIN WASHER 3/8"	6	6	6
19*	C168	NEOPRENE WASHER, 1/2" ID X 2 OD X 1/16"	OPT	OPT	OPT
20	C552	HEX HEAD CAP SCREW 1/2 X 4"	1	1	1
21	C553	YOKE HANDLE BLOCK/FLANGE (T-FRAME)	1	1	1
22	C570	COTTER PIN 1/8 X 1-1/2"	1	1	1
23*	C571	BOWL SHAFT (T-FRAME) X 14-1/8" (NUT 1" NF) - 2019	1	1	
23	C546	BOWL SHAFT (T-FRAME) X 14-1/8" (NUT 1-1/4" NF)	1	1	
23*	C572	BOWL SHAFT CM12 (T-FRAME) X 14" (NUT 1" NF) - 2019			1
23	C547	BOWL SHAFT CM12 (T-FRAME) X 14" (NUT 1-1/4" NF)			1
24	C532	BOWL SHAFT OIL SEAL TC38X80X8 - 2017	1	1	
24	C548	BOWL SHAFT OIL SEAL 855T (FOR 1X10494 BRG)			1
25	C557	DUST COVER 3-1/8"-18	1	1	
25	C558	DUST COVER 3-1/4"-10			1
26	C559	SPRING WASHER 1-1/4"	1	1	1
27*	C574	MAIN SHAFT HEX NUT 1" NF - 2019	1	1	1
27	C560	MAIN SHAFT HEX NUT 1-1/4 NF	1	1	1
*	N/A	BOWL SHAFT, CM-T 3/8" SPACER (FOR REPAIR ONLY)	N/A	N/A	N/A

PARTS LIST 3: CONCRETE MIXER

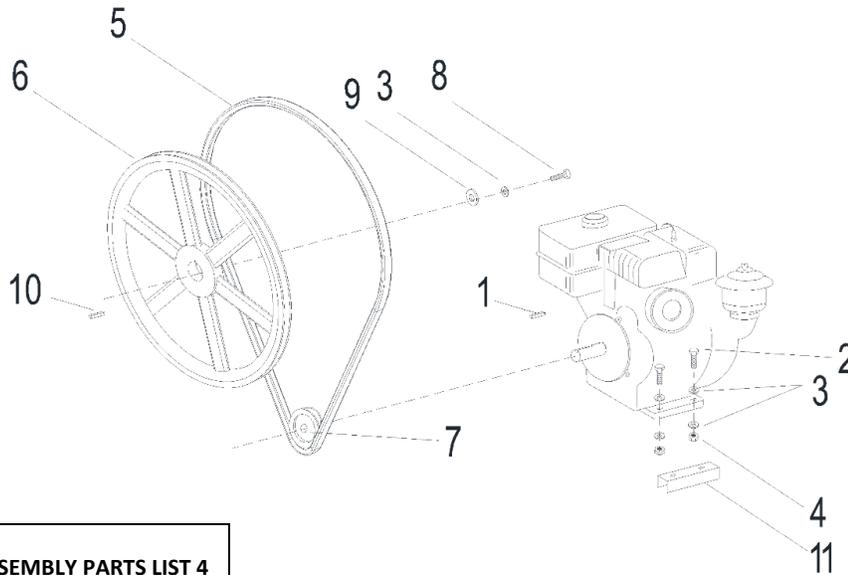
POLY DRUM ASSEMBLY DIAGRAM



POLY DRUM ASSEMBLY PARTS LIST 3			
ITEM #	PART #	DESCRIPTION	MC95P
1	C505	PADDLE	6
2	C529	BRACKET SUPPORT ARM	4
3	C150	BALL BEARING, TRB CO&SL 4T-LM67048L (W/ CUP BA2788/20)	2
4	C508	DRUM SUPPORT REINFORCED	1
5	C504	DRUM, INCLUDES PADDLES	1
5		C9P/CM9P DRUM KIT ASSEY (DRUM, PADDLES, YOKE, RING) T-FRAME	1
6	C122	RING GEAR (115 TH 32-7/8" DIA)	1
7	C155	FITTING, GREASE ST 1/8 NPT	1
8	C554	STEERING WHEEL GEAR 14" (DUCTILE CASTING)	1
9	T568	SPRING WASHER 1/2"	3
10	C555	HEX BOLT HD, 1/2 X 1	3
11	C576	YOKE (T-FRAME)	1
12	T483	KEY 1/4 X 1-1/4	1
13	C154	BALL BEARING, 6205 (JEL205-100W3)	2
14	C124	TRANS. SHAFT CM SHAFT 1 1/16 X 9 3/4"	1
15	C151	RETAINING OMEGA RING - 1-15/16"	1
16	C141	HEX BOLT 3/8" X 1-1/2"	12
17	C142	HEX LOCK NUT 3/8"	28
18	C123	PINION 12 TOOTH (FOR NEW CM)	1
19	T112	PLAIN WASHER 3/8"	56
20	C552	HEX HEAD CAP SCREW 1/2 X 4"	1
21	C553	YOKE HANDLE BLOCK/FLANGE (T-FRAME)	1
22	C570	COTTER PIN 1/8 X 1-1/2"	1
23	C517	SHAFT C9P 14" (HEX NUT 1-3/8 NC) ONLY FOR 2019	1
23	C569	SHAFT CM9PT 2020 15" - 1/16" (HEX NUT 1-1/4 NF)	1
24	C532	CM DRUM BOWL SEAL TC38X80X8 - C532 - 702126	1
25	C557	DRUM BOWL SEAL 3-1/8" _18 - C557 - 702220	2
26	C559	SPRING WASHER 1-1/4" - C559 - 701040	1
26	C577	SPRING WASHER 1-3/8" - C577 - 701045	1
27	C560	MAIN SHAFT HEX NUT 1-1/4 NF - C560 - 701041	1
27*	C574	MAIN SHAFT HEX NUT 1" NF - C574 - 227920	1
28	C147	PLAIN WASHER 1/2" - T105 - C172 - 174470	24
29	C531	BRACKET SUPPORT INNER CM6P/C6P - C531 - 702123 - 0110SO01AD	4
30	C527	HEX BOLT HD, 3/8 X 1-3/4 - 226240	4
31	C526	HEX BOLT HD, 3/8" X 2-1/2 - T590 - 226270	4
32	C528	HEX BOLT HD, 3/8" X 3-1/2" - C528 - 226275	8
33	C525	CLAMP DRUM SUPPORT CM6P/CM9P - C525 - 702121	4

PARTS LIST 4: CONCRETE MIXER

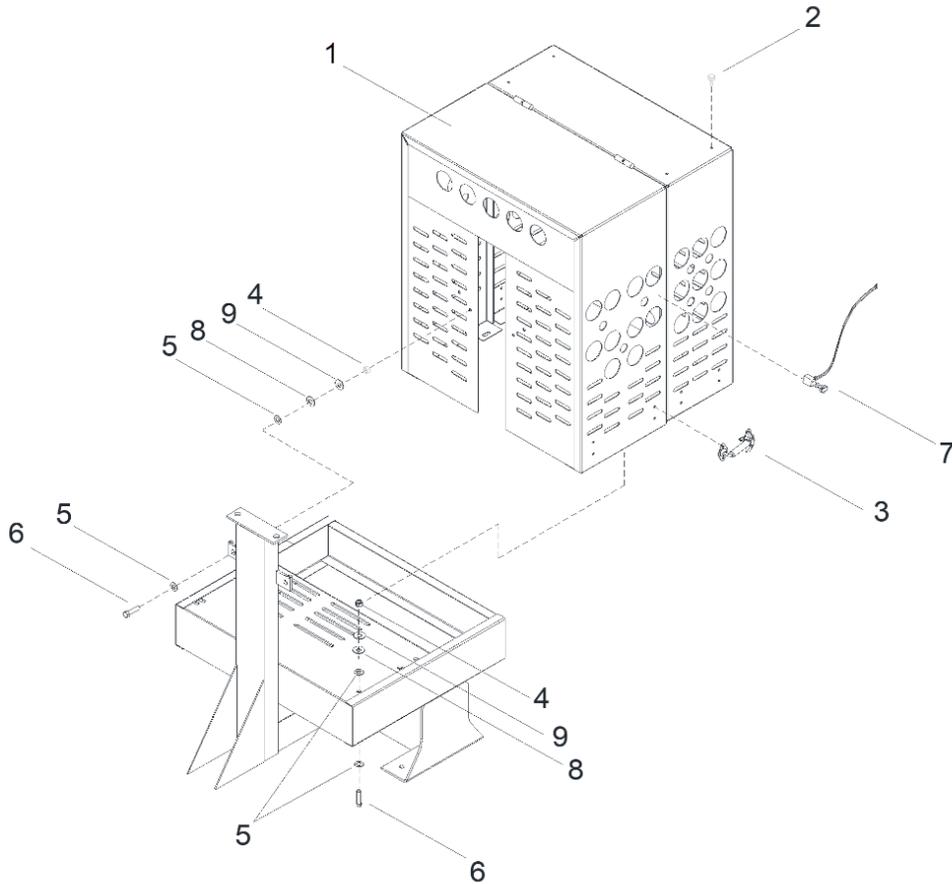
TRANSMISSION ASSEMBLY DIAGRAM



TRANSMISSION ASSEMBLY PARTS LIST 4					
ITEM #	PART #	DESCRIPTION	MC75	MC95	MC12
*	202002M	HONDA ENGINE GX160	1	1	
*	202008M	HONDA ENGINE GX240	1	1	
*	202012M	HONDA ENGINE GX390			1
*	N/A	ELECTRIC MOTOR VARIOUS OPTIONS	1	1	1
1	T147-1	KEY 1/4 X 1-1/4	1		
1	C581	KEY, 3/16 X 1-5/8 FOR BALDOR 0.5 HP – 2.0 HP	1	1	1
1	T147	KEY, 3/16" X 1-1/2" FOR 8-13HP ENGINE	1	1	1
2	C563	BOLT HEXHD, 5/16" X 3-1/2" FOR 5.5 HP GAS ENGINE	4		
2	T145	HEX BOLT HD, GR5 3/8" X 2"	4	4	4
2	C138	HEX BOLT 3/8 X 1 (ELECTRIC MOTORS)	4	4	4
3	T112	PLAIN WASHER 3/8"	9	9	9
4	T148	HEX HEAD LOCK NUT 5/16" FOR 5.5 HP GAS ENGINE	4		
4	T114	HEX LOCK NUT 3/8"	4	4	4
5	C568	BELT-V B63 GAS ENGINE UNITS (T-FRAME)	1	1	1
6	C125	PULLEY 19" X 1 GROOVE	1	1	1
7	C126	PULLEY 2-1/2" X CAL 3/4" (AK2534) FOR 5.5 HP GAS ENGINE	1		
7	C127	PULLEY 2-1/2" X CAL. 1" (8 HP -13 HP ENGINE)	1	1	1
7	C185	PULLEY 2-1/2" X 5/8" (AK2558) (.5 HP - 1.5 HP MOTOR)	1		
7	C186	PULLEY 2-1/2" X CAL 7/8" 1 GROOVE (AK2578) (2 HP MOTOR)	1	1	1
7	C187	PULLEY 2-1/2" X CAL 1 1/8" (3 HP - 5HP MOTOR)		1	1
8	T116	HEX BOLT HD, GR5 3/8 X 1 NF	1	1	1
9	C140	SPRING WASHER 3/8"	1	1	1
10	C152	KEY 1/4 X 1-1/4 - 701027 - C152 - T483 - 0000CU01TR	1	1	1
11	T165	RISER FOR 5.5HP ENGINE & ELECTRIC MOTOR	1		

PARTS LIST 5: CONCRETE MIXER

HOOD ASSEMBLY DIAGRAM



HOOD ASSEMBLY PARTS LIST 5					
ITEM #	PART #	DESCRIPTION	MC75	MC95	MC12
1	C131	HOOD, HINGED ASSY	1	1	1
2	T158	RUBBER SCREW 1/4" FOR SHROUD	2	2	2
3	T160	SHROUD HOOK ASSEMBLY	2	2	2
4	T114	HEX LOCK NUT 3/8"	4	4	4
5	T112	PLAIN WASHER 3/8"	8	8	8
6	T176	HEX BOLT 3/8" X 1-1/2"	4	4	4
7	T193	ENGINE KILL SWITCH ASSEY RED (WITH HARNESS)	1	1	1
7	T195-1	ENGINE N.O KILL SWITCH RED (NO HARNESS)	1	1	1
8	T105	PLAIN WASHER 1/2"	4	4	4
9	C168	NEOPRENE WASHER 2" X 1/2" X 1/16"	4	4	4

morrison

BARTELL  GLOBAL



Bartell Morrison Inc.
170 Traders Blvd E
Mississauga, Ontario, Canada
L4Z 1W7
Tel: 1-647-953-4100
Fax: 1-647-953-4101



Bartell Morrison (USA) LLC
200 Commerce Drive, Unit A
Freehold, New Jersey, USA
07728
Tel: 1-848-225-8100
Fax: 1-848-225-8101



Innovatech
4701 Allmond Ave
Louisville, Kentucky, USA
40209
Tel: (425) 405-9100
Fax: (425) 405-9101



SPE International
Honeyholes Lane
Dunholme, Lincoln, UK
LN2 3SU
Tel: +44 (0)1673 860709
Fax: +44 (0)1673 861119



**BARTELL
GLOBAL**

5 BRANDS - 1 SOURCE FOR
GREAT EQUIPMENT
BARTELL morrison   

BARTELLGLOBAL.COM