



ELECTRIC GENERATORS

**BG2800, BG5000, BG7000E
OWNER'S MANUAL**



www.BARTELLGLOBAL.com

Doc. # OI-B09052
Orig. Rel. – 12/2013
Curr Rev. 09



www.BARTELLGLOBAL.com

Bartell Morrison Inc.
170 Traders Blvd
Mississauga, Ontario, Canada
L4Z 1W7
Tel: (647) 953-4100
Fax: (647) 953-4101

Bartell Morrison USA LLC
200 Commerce Drive, Unit A
Freehold, NJ, USA
07728
Tel: (848) 225-8100
Fax: (848) 225-8101

SPE International Ltd
Honeyholes Lane
Dunholme, Lincoln, England
LN2 3SU
Tel: 01673 860709
Fax: 01673 861119

Innovatech
4701 Allmond Ave
Louisville, Kentucky, USA
40209
Tel: (425) 405-9100
Fax: (425) 405-9101

**ORIGINAL LANGUAGE OPERATING MANUAL FOR
BARTELL ELECTRIC GENERATORS BG2800, BG5000, BG7000E**

© 2019 Bartell Morrison Inc.

No part of this work may be reproduced or transmitted in any form or by any means, electronic or mechanical, including photocopying and recording, or by any information storage or retrieval system without the prior written permission of Bartell Morrison Inc. unless such copying is permitted by federal copyright laws.

Address inquiries or reference permissions care of:
Bartell Morrison Inc., 170 Traders Blvd E., Mississauga, Ontario, Canada, L4Z 1W7

REV.	DATE	DESCRIPTION	APPROVED BY:
00	12/2013	Initial Release	AL
01	05/2014	Parts list, and electrical and parts diagrams update	AL
02	06/2014	Address update	AL
03	07/2014	Specifications edit	AL
04	01/2016	2016 models - specifications edit, Combined Parts book and Owners Manuel	AL
05	01/2017	Contact info and parts list update	AL
06	06/2017	Parts list, and electrical and parts diagrams update	AN
07	08/2017	Updated part numbers for the air filter assembly for 2015 and Newer units	AN
08	09/2017	Added parts 49-8a, 49-8b	AN
09	10/2017	Individual drawings and parts for models	AN

SAFETY PRECAUTIONS



DANGER **EXPLOSION HAZARD**

Never operate the machine in an explosive atmosphere, near combustible materials, or where ventilation does not clear exhaust fumes.

WARNING **BURN HAZARD**

Never come into contact with the engine or muffler when engine is operating or shortly after it is turned off. Serious burns may occur.

CAUTION **ROTATING HAZARD**

Never place hands or feet inside safety guard rings. Serious injury will result from contact with rotating blades.

CAUTION **MOVING PARTS**

Before starting the machine, ensure that all guards and safety devices are in place and functioning properly.

ATTENTION **READ OWNER'S MANUAL**

Read and understand owner's manual before using this machine. Failure to follow operating instructions could result in serious injury or death.



TABLE OF CONTENTS

<u>WARRANTY INFORMATION - GENERATORS</u>	5
<u>INTRODUCTION - BG2800, BG5000, BG7000E</u>	6
YOUR NEW BARTELL ELECTRIC GENERATOR	6
EQUIPMENT USE AND CARE	6
SAFETY FEATURES	6
<u>SPECIFICATIONS - BG2800, BG5000, BG7000E</u>	7
<u>SAFETY - BG2800, BG5000, BG7000E</u>	9
SAFETY	10
<u>PARTS AND COMPONENTS INTRODUCTION - BG2800, BG5000, BG7000E</u>	11
<u>INSPECTION - BG2800, BG5000, BG7000E</u>	12
ENGINE OIL	12
FUEL	12
AIR CLEANER	12
<u>STARTING THE GENERATOR - BG2800, BG5000, BG7000E</u>	13
<u>STOPPING THE GENERATOR - BG2800, BG5000, BG7000E</u>	13
<u>ELECTRICAL CONNECTIONS - BG2800, BG5000, BG7000E</u>	14
GENERATOR GROUNDING	14
TYPICAL ELECTRICAL CONSUMPTION	14
APPLIANCE START UP	14
AC APPLICATION	15
DC APPLICATION	15
<u>REGULAR INSPECTION AND MAINTENANCE - BG2800, BG5000, BG7000E</u>	16
ENGINE OIL REPLACEMENT	16
SPARK PLUG CLEANING	16
<u>STORAGE - BG2800, BG5000, BG7000E</u>	17
STORAGE PREPARATION	17
CLEANING	17
FUEL	17
DRAINING THE FUEL TANK AND CARBURETOR	18
ENGINE OIL	18
STORAGE PRECAUTIONS	18
REMOVAL FROM STORAGE	18
<u>TROUBLESHOOTING BG2800, BG5000, BG7000E</u>	19
STARTING FAILURE	19

APPLIANCE DOES NOT WORK	19
<u>ELECTRICAL DIAGRAMS</u>	20
BG2800	20
BG5000	21
BG7000E	22
<u>ASSEMBLY DRAWINGS AND PARTS LIST</u>	23
<u>PARTS LIST 1 – GENERATORS</u>	24
ENGINE AND ALTERNATOR: BG2800, BG5000, BG7000E	24
ENGINE AND ALTERNATOR: BG2800, BG5000, BG7000E – PARTS LIST 1	24
<u>PARTS LIST 2 – GENERATORS</u>	29
FRAME, CONTROL PANEL, MUFFLER, FUEL TANK AND AIR CLEANER: BG2800	29
FRAME, CONTROL PANEL, MUFFLER, FUEL TANK AND AIR CLEANER: BG2800 – PARTS LIST 2	30
<u>PARTS LIST 3 – GENERATORS</u>	32
FRAME, CONTROL PANEL, MUFFLER, FUEL TANK AND AIR CLEANER: BG5000	32
FRAME, CONTROL PANEL, MUFFLER, FUEL TANK AND AIR CLEANER: BG5000 – PARTS LIST 3	33
<u>PARTS LIST 4 – GENERATORS</u>	35
FRAME, CONTROL PANEL, MUFFLER, FUEL TANK AND AIR CLEANER: BG7500E	35
FRAME, CONTROL PANEL, MUFFLER, FUEL TANK AND AIR CLEANER: BG7500E – PARTS LIST 4	36
<u>DECLARATION OF CONFORMITY</u>	38

WARRANTY INFORMATION - GENERATORS

All products sold by Bartell Morrison Inc. and Bartell Morrison (USA) LLC (the "Company") are warranted against defects in materials and/or workmanship; excluding normal wear on wearing components and components covered by a separate original manufacturer's warranty, for a period of 12 months (from the date of sale to the original end user purchaser provided that certain conditions have been met.

Conditions

1. The equipment serial number has been registered with the Company or its approved dealers, distributors, representatives or agents.
2. The equipment has been operated in an appropriate manner by qualified individuals.
3. The equipment has been properly maintained as per the instructions included in the Owner's Manual.
4. All claims for warranty must be filed on proper forms and include the serial number of the equipment along with proof of purchase.

Any evidence of failure to meet these conditions may result in a denial of the warranty claim.

Consideration of warranty claims will be at the sole discretion of the Company, or its authorized dealers, distributors, representatives or agents.

The Company may, at its discretion, request that the equipment to be considered for warranty be returned at the owner's expense to an authorized repair facility for inspection.

Under this warranty we may, at our discretion, repair or replace a part or the whole of the defective component or equipment.

Our Warranty coverage is limited to the cost to repair or replace the defective portion of the equipment and a reasonable (as determined by the Company) amount of labor to conduct the repair or replacement. Under no circumstances shall the Company be liable for any additional or exceptional costs beyond the cost to repair or replace the defective portion of the equipment. The Company shall not be held accountable for; costs associated with travel to inspect or repair defective equipment, costs for transporting defective equipment to or from an authorized repair facility, costs incurred to repair or replace the defective equipment at any facility other than one authorized by the Company or ancillary damage caused by or as a result of the defective equipment.

Under no circumstances shall equipment be returned to the Company or its authorized dealers, distributors, representatives or agents without the approval of the Company as evidenced by a Returned Goods Number. To obtain a Returned Goods Number contact the factory or your authorized dealer, distributor, representative or agent.

This warranty is for the sole benefit of the original end user purchaser and is not transferable to any other company or person.



Introduction - BG2800, BG5000, BG7000E

Your New Bartell Electric Generator

The machines are portable Bartell Electric Generators powered by a four-stroke gasoline engine with 120V, 120/240VAC (except BG2800), 60Hz and 12VDC output. The Bartell Electric generators are suitable as temporary power supply. They have been designed to meet ETL safety standards and current EPA air quality regulations.

Equipment Use and Care

Bartell Electric Generator is designed for use as a portable temporary power supply. It should be operated at all times in accordance with the instructions detailed in this manual: Use of this equipment for any purpose other than that stated within creates the risk of personal injury and/or property damage.

Any modifications to the equipment must be performed by the manufacturer or an authorized dealer and must be authorized in advance by the manufacturer.

The equipment should be serviced, cleaned and stored as detailed by this manual. Failure to follow these guidelines may result in the warranty being void. The manufacturer of this equipment cannot be held responsible for any damages resulting from misuse, abuse, or neglect.

Safety Features

Bartell Electric Generators are equipped with safety guards and electrical protection in accordance with North American and International standards.

Never attempt to disable or circumvent these safety devices. They are present for the operator's protection and any tampering will result in substantial risk to the operator and all present in the vicinity. If the generator's safety devices have been tampered with, do not use the equipment. Immediately contact your sales representative to obtain replacement parts or return the generator to your dealer for repairs.



Specifications - BG2800, BG5000, BG7000E

Generators			
	BG2800	BG5000	BG7000E
Frequency (Hz)	60	60	60
Rated Output (W)	2500	4500	6500
Max Output (W)	2800	5000	7000
Rated Current (A)	20.8	37.5/18.8	54.2/27.1
Voltage (V)	120	120/240	120/240
Engine			
DC Output(V)	12	12	12
Engine Model	LT210	LT420	LT420
Displacement cu. in. (cc)	12.7 (208)	25.6 (420)	25.6 (420)
Engine Speed (rpm)	3600	3600	3600
Continuous Output hp (kW)	7 (5.2)	16 (11.8)	16 (11.8)
Starting System	Recoil	Recoil	Recoil/Electric
Unit			
Oil Capacity gal. (L)	0.16 (0.6)	0.37 (1.4)	0.37 (1.4)
Fuel Tank Capacity gal. (L)	3.96 (15)	6.6 (25)	6.6 (25)
Dimension L x W x H in. (mm)	25.6x18x18.9 (650x458x480)	29.3x21x23.2 (745x535x590)	29.3x21x23.2 (745x535x590)
Net Weight	99 (45)	172 (78)	194 (88)



PAGE INTENTIONALLY LEFT BLANK

Safety - BG2800, BG5000, BG7000E

The instructions provided in this manual are done so to ensure the operator's safety as well as that of others, the equipment, and the job site. Failure to abide by these guidelines can lead to serious personal injury and even death. The operator and any service personnel should read and understand the entire manual before working with or servicing any Bartell Electric Generator.

The Electric Generator manual should be kept at all times in a place that is accessible to any persons working with the machine. Replacement manuals are available from Bartell or from your local dealer.

Only use parts and attachments supplied or approved by your Bartell equipment manufacturer. The consequences of modifying the design of this equipment can include personal injury, equipment failure, and voiding your warranty. If you are unsure about a repair or an apparent malfunction, contact your Bartell dealer or the phone contacts at the bottom of each page of this manual.

Technical service bulletins, user's manual updates, and other information are posted on the Bartell website: <http://www.bartellglobal.com>. Check this website periodically for updates or other potentially useful information about your equipment.

Never use a Bartell Electric Generator in an enclosed space with poor air flow, such as a basement or small room. The gasoline engine produces, among other things, toxic carbon monoxide gas. Without proper ventilation, this gas will build up and cause health effects such as organ damage and death to anyone in the vicinity.

Never operate the Bartell Electric Generator in a wet environment.

Never connect the Bartell Electric Generator to a power circuit if the commercial power supply is not disconnected.

Always keep 3 ft. (1m) away from flammable materials. The Generator operator should always be lucid and aware of his/her surroundings.

Never operate the Generator while under the influence of drugs, alcohol, fatigue, sickness, hangover, extreme depression, emotional distraction, or medications/substances that may affect motor skills or judgment.

Always wear the appropriate personal protective equipment (PPE) while operating a Bartell Electric Generator. This includes (but is not limited to) proper clothing, hearing protection and protective footwear. Other safety gear may be job-site appropriate. Never leave the equipment unattended while running.

Safety

Always ensure that the operators have been properly trained prior to using the equipment. Children and small animals should never be present in the work area during operation of a Bartell Electric Generator.

Always check your Bartell Electric Generator for loose or missing nuts and bolts before starting. Tighten any loose fasteners and replace missing or broken parts.

Perform all routine maintenance as described within this manual. Failure to do so will void your warranty and will eventually result in premature equipment failure.

Never perform maintenance on a running piece of equipment. Shut down the engine and allow it to cool before servicing a Bartell Electric Generator, including mechanical work or lubrication.

Always replace missing, damaged or unclear safety labels to ensure operator awareness and safety.

Never operate a Bartell Electric Generator with missing or damaged safety guards. Replace immediately with appropriate Bartell parts.

Never wear loose fitting clothing or jewelry around rotating equipment as it may become entangled in the machinery, resulting in serious injury.

Never fuel a Bartell Electric Generator while the engine is running. Ensure the engine has cooled sufficiently before refueling to avoid igniting gasoline fumes.

Always refuel a Bartell Electric Generator in a well-ventilated area, away from ignition sources such as sparks, flames, and lit cigarettes. Smoking while fueling the equipment may result in explosion.

Never operate a Bartell Electric Generator in explosive environments such as those where paint fumes, methane, natural gas, fine particulate, aerosol propellant, or solvent fumes are present.

Never smoke near a Bartell Electric Generator as stray gasoline fumes may ignite. Operating a Bartell Electric Generator around an open flame may also result in explosion.

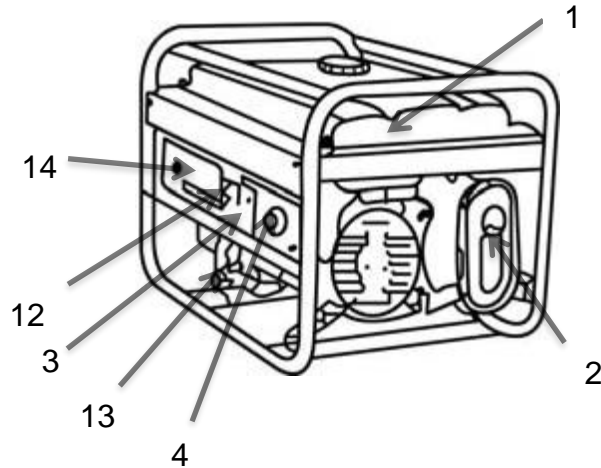
Always shut down the engine and allow it to cool before lifting or transporting a Bartell Electric Generator.

Always tie down a Bartell Electric Generator when being transported in a truck or on a flatbed.

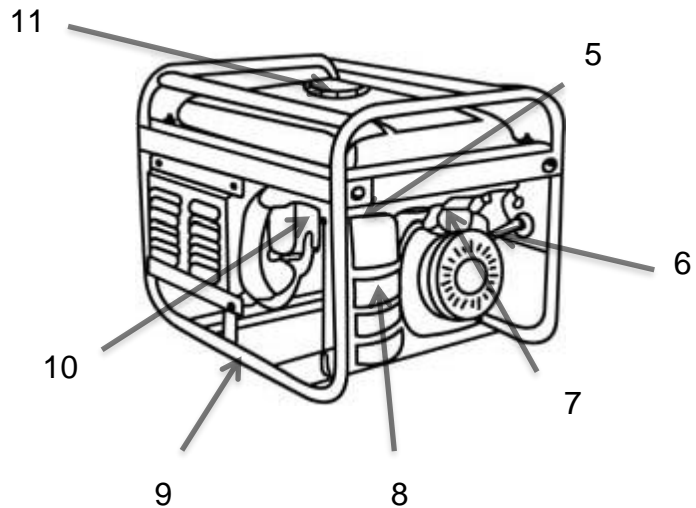
Empty the fuel tank if transporting over long distances.

Parts and Components Introduction - BG2800, BG5000, BG7000E

1. Fuel tank
2. Muffler
3. Earth terminal
4. AC socket/plug
5. Choke lever
6. Recoil Starter handle



7. Fuel valve
8. Air cleaner
9. Frame
10. Spark plug
11. Fuel tank cap
12. Breaker
13. Oil gauge Dipstick
14. Starter switch (BG7000E)
15. AC Protector (not shown)



Inspection - BG2800, BG5000, BG7000E

Engine Oil

1. Always check the oil level on a flat surface before starting.
2. Turn out the oil dipstick, and wipe it with a clean cloth.
3. Insert the dipstick back without screwing in, pull it out, and check the level.
4. In the case that the oil is low, refill it until the levels reach the upper mark on the dipstick.
5. Reinstall the dipstick when done.

Fuel

6. Open the fuel cap
7. Check the fuel levels and refill if necessary
8. Fill up to the shoulder of the fuel filter
9. Reinstall the fuel cap when complete

Air Cleaner

10. Loosen the clip and remove the air cleaner housing.
11. Separate the primary and secondary element.
12. Tap the elements or use compressed air to clear from air cleaner.
13. If required, squeeze excessive oil and wash air cleaner.
14. Reinstall elements, and attach to air cleaner housing.

Starting the Generator - BG2800, BG5000, BG7000E

1. Remove all loads from any power sockets and switch off the main breaker.
2. Set the fuel valve to the "On" position.
3. Push the choke lever to the "Close" (left) position.
4. Turn the engine or key switch to the "On" position.
5. The BG7000E is an electric start model. Continue to turn the key to "Start" and release when the generator starts. If the battery is too weak to start, the recoil start may be used. Pull out the recoil starter handle until resistance is felt, then pull it out swiftly from its original position.
6. Once the generator starts, gradually slide the choke lever to the right for "OPEN" position

Stopping the Generator - BG2800, BG5000, BG7000E

1. Turn off the breaker
2. Turn off the engine switch
3. Close the fuel valve
4. In case of emergency, turn the engine switch to "Off" to stop the generator.

**Never stop the generator at high speeds under a heavy load.
This can result in significant damage to the generator.**

Electrical Connections - BG2800, BG5000, BG7000E

Caution: To keep the generator in the best running condition and for electrical safety, please refer to the following:

Generator Grounding

Ground the generator to prevent electrical shock.

Typical Electrical Consumption

Type	Wattage		Appliance	Appliance	Sample	
	Starting	Rated			Starting	Rated
Electric Bulb or Heater	X1	X1	Electric Bulb TV	Electric Bulb 100w	100VA(W)	100VA(W)
Daylight Lamp	X2	X1.5	Daylight Lamp	Fluorescent Lamp 40w	80VA(W)	60VA(W)
Motor Drive	X3-5	X2	Refrigerator Electric Fan	Refrigerator 750w	450-750VA	300VAW

Appliance Start Up

If the generator is to supply power to more than two appliances, start them one by one with the highest current first.

Caution:

Never connect the generator to a home power circuit without a transfer switch. A transfer switch is required by the National Electric Code for any connection of power to a home.

A transfer switch prevents back-feed, which occurs when power goes back down the utility lines. Back-feed has the potential to cause a fire and can damage the generator. Even worse, back-feed can electrocute any technicians working on the lines, causing injury or even death.

AC Application

1. Start the generator
2. Connect the appliances
3. Turn on the main breaker

DC Application

15. The DC terminal may be used for charging 12V automotive-type batteries only.
16. When using automotive-type batteries with cables, be sure to disconnect the negative cable from the battery before charging.
17. Connect the charging cable to the battery terminals and the DC terminal of the generator.
18. Connect the positive battery terminal to the positive generator terminal.
19. Do not reverse the charging cables, or serious damage to the generator and/or battery may occur.
20. Do not allow the free ends of the cables to touch, as it can short circuit the battery.
21. When a large capacity battery is charged, excessive current flows (depending on the discharge condition), can cause the fuse for the DC current to burn out.
22. Batteries produce explosive gases. Keep sparks flames and cigarettes well away.
23. To prevent the possibility of creating a spark near the battery, always connecting charging cables to the battery first and then only to the generator. When disconnecting, remove the cables at the generator end first.
24. Charge the battery in a well-ventilated place.
25. Before charging, remove the cap from each cell of the battery. Discontinue charging if the electrolyte temperature exceeds 45C.

Regular Inspection and Maintenance - BG2800, BG5000, BG7000E

Daily and regular inspection is important to ensure safe, proper and long-term operation of the generator. Refer to the provided regular inspection table when conducting an inspection and maintenance.

Inspection and Maintenance Table	Daily Check	20 Hrs or First Month	50 Hrs or Every 3 Months	100 Hrs or every 6 Months	300 Hrs or every year	Refer Page
Engine Oil Check	Inspect	Replace		Replace		
Air Cleaner Check (1)	Inspect					
Air Cleaner Wash (1)			Clean			
Fuel Sediment Cup				Clean		
Fuel Filter	Inspect			Clean		
Spark Plug				Clean		
Valve Clearance (2)					Check-adjust	
Combustion Chamber (2)					Clean	
Fuel Tank Wash			Every 2 years or when necessary			

(1) Service more frequently in dusty areas

(2) These items should be serviced by your servicing dealer, unless you have the proper tools and are mechanically proficient.

Engine Oil Replacement

1. Loosen the oil drain plug.
2. Drain the oil and remove the dipstick.
3. Screw on and tighten the drain plug with seal washer.
4. Reinstall the dipstick.

Recommended Engine Oil: 4-stroke gasoline engine oil API Service Classification SAE 10W-30 equivalent to SJ or better.
In Frigid Temperature (below -15C): 4-stroke gasoline engine oil API Service Classification SAE 5W-30 equivalent to SJ or better.

Spark Plug Cleaning

1. Remove the spark plug cap.
2. Remove the spark plug.
3. Clean (e.g. wire brush) away the carbon build up
4. Measure and adjust the electrode clearance/gap (0.7-0.8mm).
5. Reinstall the spark plug and cap.

Storage - BG2800, BG5000, BG7000E

Storage Preparation

Proper storage preparation is essential for keeping your engine trouble-free and looking good. The following steps will help to keep rust and corrosion from impairing your engine's function and appearance, and will make the engine easier to start when you use it again.

Cleaning

If the engine has been running, allow it to cool for at least half an hour before cleaning. Clean all exterior surfaces, touch up any damaged paint, and coat other areas that may rust with a light film of oil.

Using a garden hose or pressure washing equipment can force water into the air cleaner or muffler opening. Water in the air cleaner will soak the air filter, and water that passes through the air filter or muffler can enter the cylinder, causing damage.

Fuel

Gasoline will oxidize and deteriorate in storage. Deteriorated gasoline will cause hard starting, and it leaves gum deposits that clog the fuel system. If the gasoline in your engine deteriorates during storage, you may need to have the carburetor and other fuel system components serviced or replaced.

The length of time that gasoline can be left in your fuel tank and carburetor without causing functional problems will vary with such factors as gasoline blend, your storage temperatures, and whether the fuel tank is partially or completely filled. The air in a partially filled fuel tank promotes fuel deterioration. Very warm storage temperatures accelerate fuel deterioration. Fuel deterioration problems may occur within a few months, or even less if the gasoline was not fresh when you filled the fuel tank.

Fuel system damage or engine performance problems resulting from neglected storage preparation are not covered under the Distributor's Limited Warranty.

Depending on the region where you operate your equipment, fuel formulations may deteriorate and oxidize rapidly. Fuel deterioration and oxidation can occur in as little as 30 days and may cause damage to the carburetor and/or fuel system. Please check with your servicing dealer for local storage recommendations.

Draining the Fuel Tank and Carburetor

1. Move the fuel valve lever to the OFF position.
2. Place an approved gasoline container below the carburetor, and use a funnel to avoid spilling. Remove the carburetor drain bolt and gasket.
3. Remove the sediment cup and O-ring, then move the fuel valve lever to the ON position.
4. After all the fuel has drained into the container, reinstall the drain bolt, gasket, sediment cup and O-ring. Tighten the drain bolt and sediment cup securely.

Engine Oil

1. Change the engine oil (see page 15)
2. Remove the spark plug (see page 15).
3. Pour one to two teaspoons (5-10 cc) of clean engine oil into the cylinder.
4. Pull the starter rope several times to distribute the oil in the cylinder.
5. Reinstall the spark plug.
6. Pull the starter rope slowly until resistance is felt and the notch on the start pulley aligns with the hole at the top of the recoil starter cover. This will close the valves so moisture cannot enter the engine cylinder. Return the starter rope gently.

Storage Precautions

If your engine will be stored with gasoline in the fuel tank and carburetor, it is important to reduce the hazard of gasoline vapor ignition. Select a well-ventilated storage area away from any appliance that operates with a flame, such as a furnace, water heater, or clothes dryer. Also avoid any area with a spark producing electric motor, or where power tools are operated.

If possible, avoid storage areas with high humidity, because that promotes rust and corrosion.

Keep the engine level in storage. Tilting can cause fuel or oil leakage.

With the engine and exhaust system cool, cover the engine to keep out dust. A hot engine and exhaust system can ignite or melt some materials. Do not use sheet plastic as a dust cover. A nonporous cover will trap moisture around the engine, promoting rust and corrosion.

If equipped with a battery for electric starter types, recharge the battery once a month while the engine is in storage. This will help to extend the service life of the battery.

Removal from Storage

Check your engine as described in the INSPECTION section of this manual.

If the fuel was drained during storage preparation, fill the tank with fresh gasoline. If you keep a container of gasoline for refueling, be sure it contains only fresh gasoline. Gasoline oxidizes and deteriorates over time, causing hard starting.

If the cylinder was coated with oil during storage preparation, the engine will smoke briefly at start-up. This is normal.

Troubleshooting BG2800, BG5000, BG7000E

Starting Failure

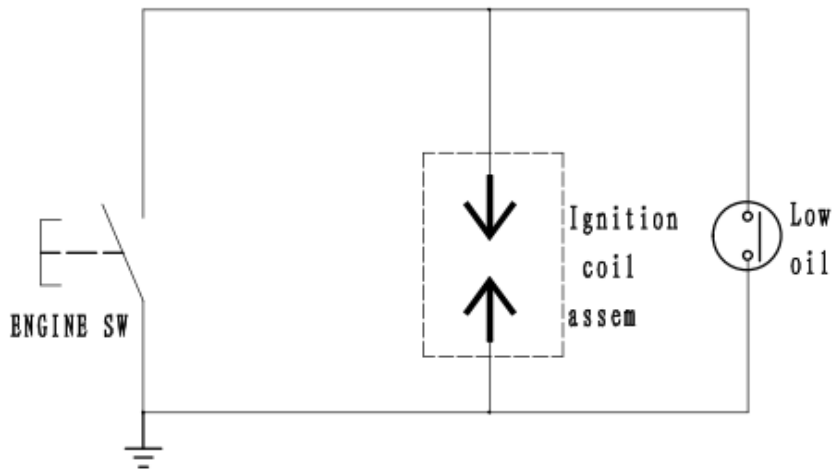
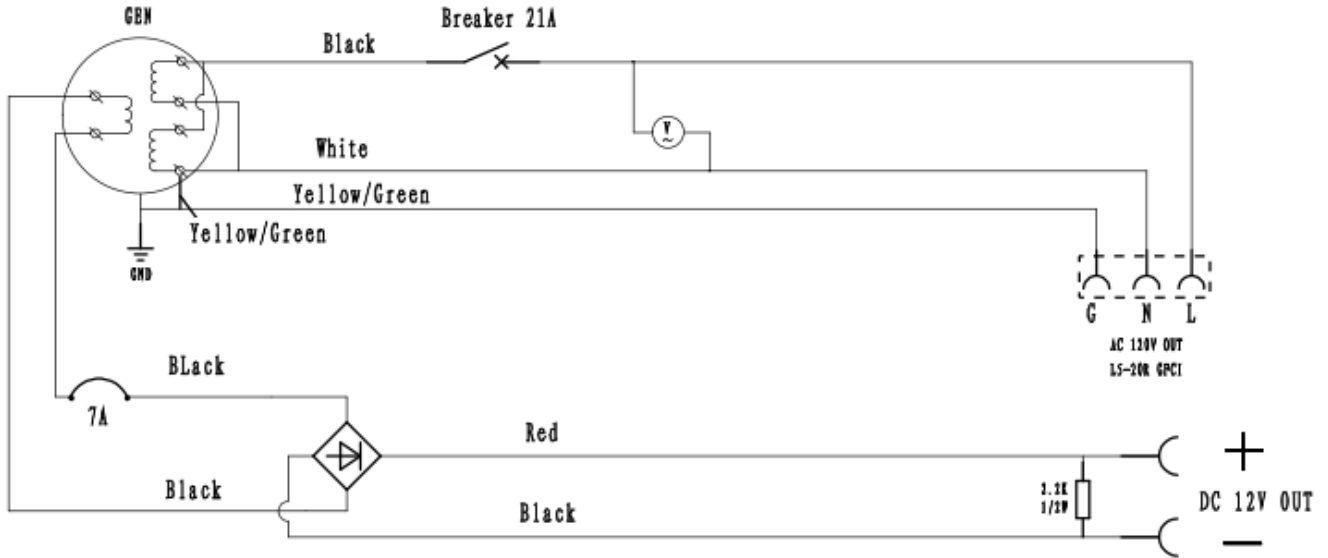
1. Is the engine switch at the "ON" position?
2. Is the oil level too low?
3. Is there enough fuel
4. Check the spark plug for spark during engine cranking.

Appliance Does Not Work

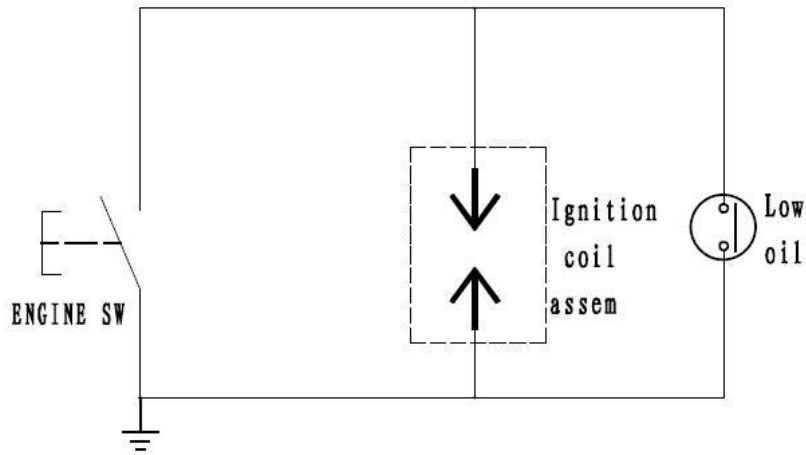
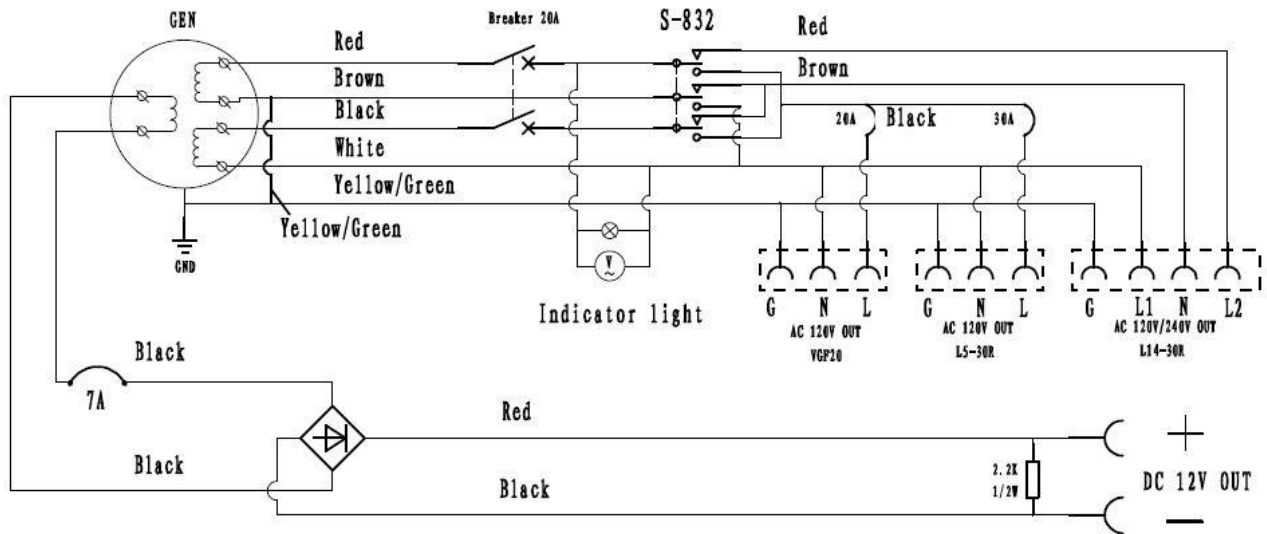
1. Check the appliance
2. Is the breaker in the "ON" position?
3. Is the fuse for the power outlet tripped?

ELECTRICAL DIAGRAMS

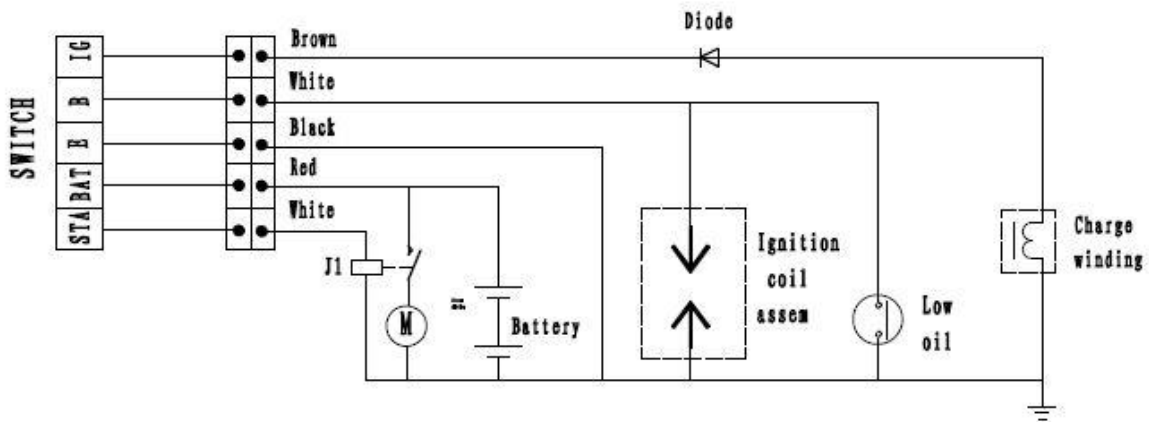
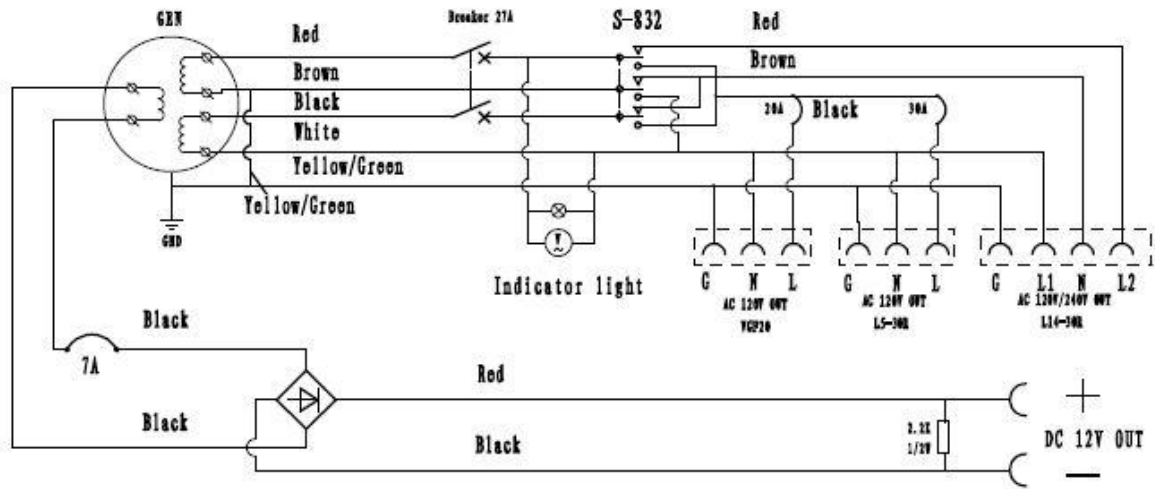
BG2800



BG5000



BG7000E



Key

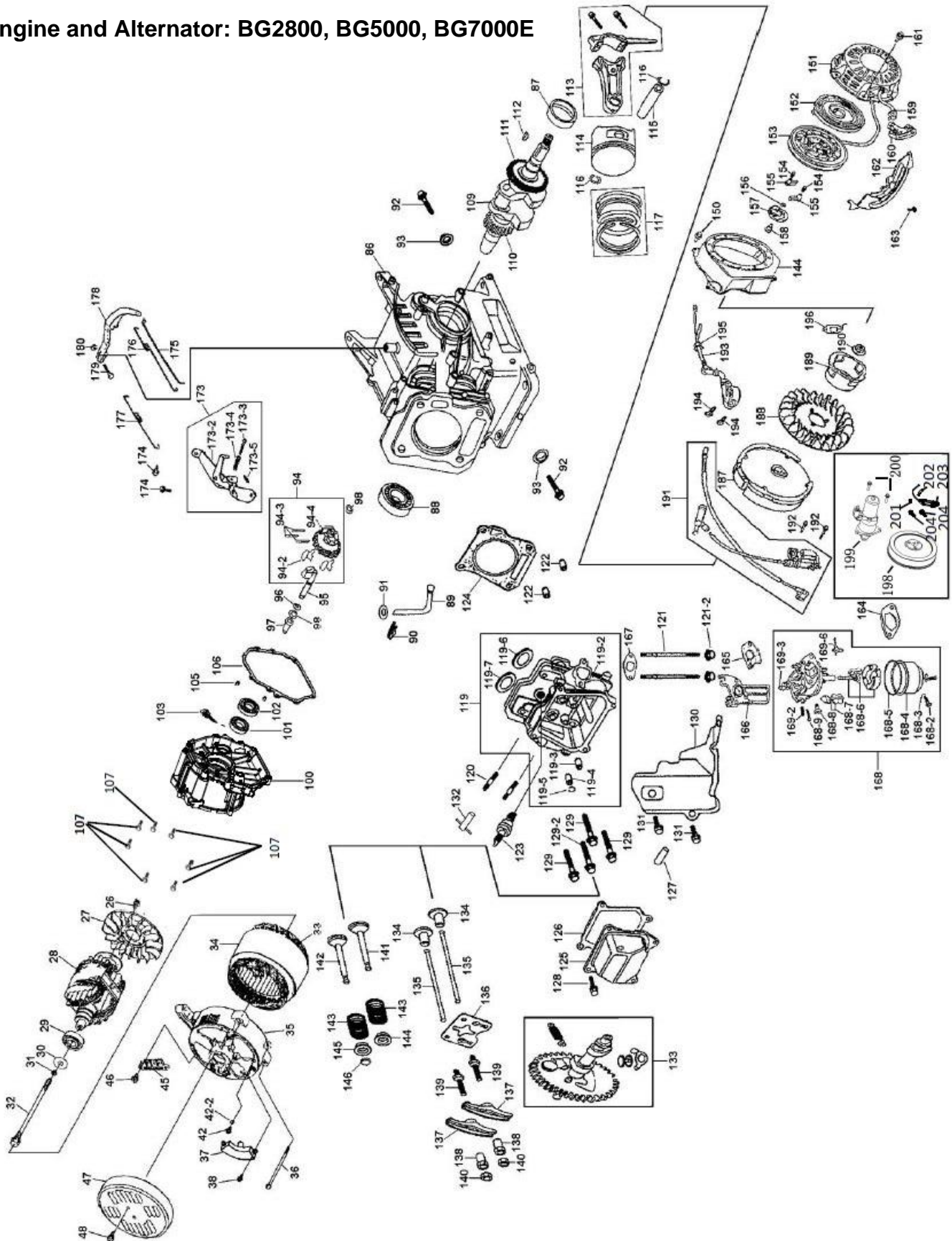
	IG	BAT	STA	E	B
OFF				○—○	
ON	○—○				
START	○—○	○—○	○—○		



Assembly Drawings and Parts List

PARTS LIST 1 – GENERATORS

Engine and Alternator: BG2800, BG5000, BG7000E



Engine and Alternator: BG2800, BG5000, BG7000E – Parts List 1

ITEM NO.	BG2800 PART NO.	BG5000 PART NO.	BG7000E PART NO.	DESCRIPTION	QTY.
26-48	3000ALT	5000ALT	7500ALT	ALTERNATOR ASSEMBLY	1
26	-	LSB05012	LSB05012	TAPPING SCREW	2
27	25002002	38002002	38002002	ALTERNATOR FAN	1
28	30002100	50002100	65002100	ROTOR	1
29	25002003	38002003	38002003	BALL BEARING	1
30	PDC08	PDC010	PDC010	WASHER	1
31	TDA08	TDA10	TDA10	LOCK WASHER	1
32	LZA08230	LZA10250	LZA10265	HEX. BOLT	1
32	LZA08230	LZA10250	LZA10265	HEX. BOLT	1
33	30002200	50002200	65002200	STATOR ASSEMBLY	1
34	30002004	50002004	65002004	STATOR PROTECTOR	1
35	25002005	28002005	28002005	REAR COVER	1
36	LSB06145	LSB06164	LSB06179	FLANGE HD HEX. BOLT	4
37	25002300	38002300	38002300	CAPACITOR	1
38	LSB05012	LSB05012	LSB05012	FLANGE HD HEX. BOLT	2
42	LSB05012	LSB05012	LSB05012	FLANGE HD HEX. BOLT	1
42-2	TD08	TD08	TD08	LOCK WASHER	1
45	25002400	38002400	38002400	TERMINAL BLOCK	1
46	LSB05012	LSB05012	LSB05012	FLANGE HD HEX. BOLT	2
47	25002007	38002007	38002007	END COVER	1
48	LSB05012	LSB06012	LSB06012	FLANGE HD HEX. BOLT	2
86	20001001	39001001	39001001	CRANKCASE	1
87	YF254125	YF355208	YF355208	OIL SEAL	1
88	ZCA6205	ZCA6207	ZCA6207	BALL BEARING	1
89	16001002	34001002	34001002	GOVERNOR ARM SHAFT	1
90	16001003	24001003	24001003	LOCK PIN	1
91	16001004	24001004	24001004	WASHER	1
92	LSB10015	LSB12015	LSB12015	DRAIN PLUG	2
93	16001005	24001005	24001005	DRAIN PLUG WASHER	2
94	16001100	34001100	34001100	GOVERNOR KIT	1
94-2	-	-	-	GOVERNOR WEIGHT	2
94-3	-	-	-	GOVERNOR WEIGHT PINS	2
94-4	-	-	-	GOVERNOR GEAR	1
96	16001007	16001007	16001007	GOVERNOR SHAFT CLIP	1
97	16001008	24001008	24001008	GOVERNOR	1
98	16001004	16001004	16001004	WASHER	2
100	16002001	34002001	34002001	CRANKCASE COVER	1
101	YF254125	YF355208	YF355208	OIL SEAL	1
102	ZCA6205	ZCA6207	ZCA6207	BALL BEARING	1
103	16002002	24002002	24002002	OIL FILLER CAP	2

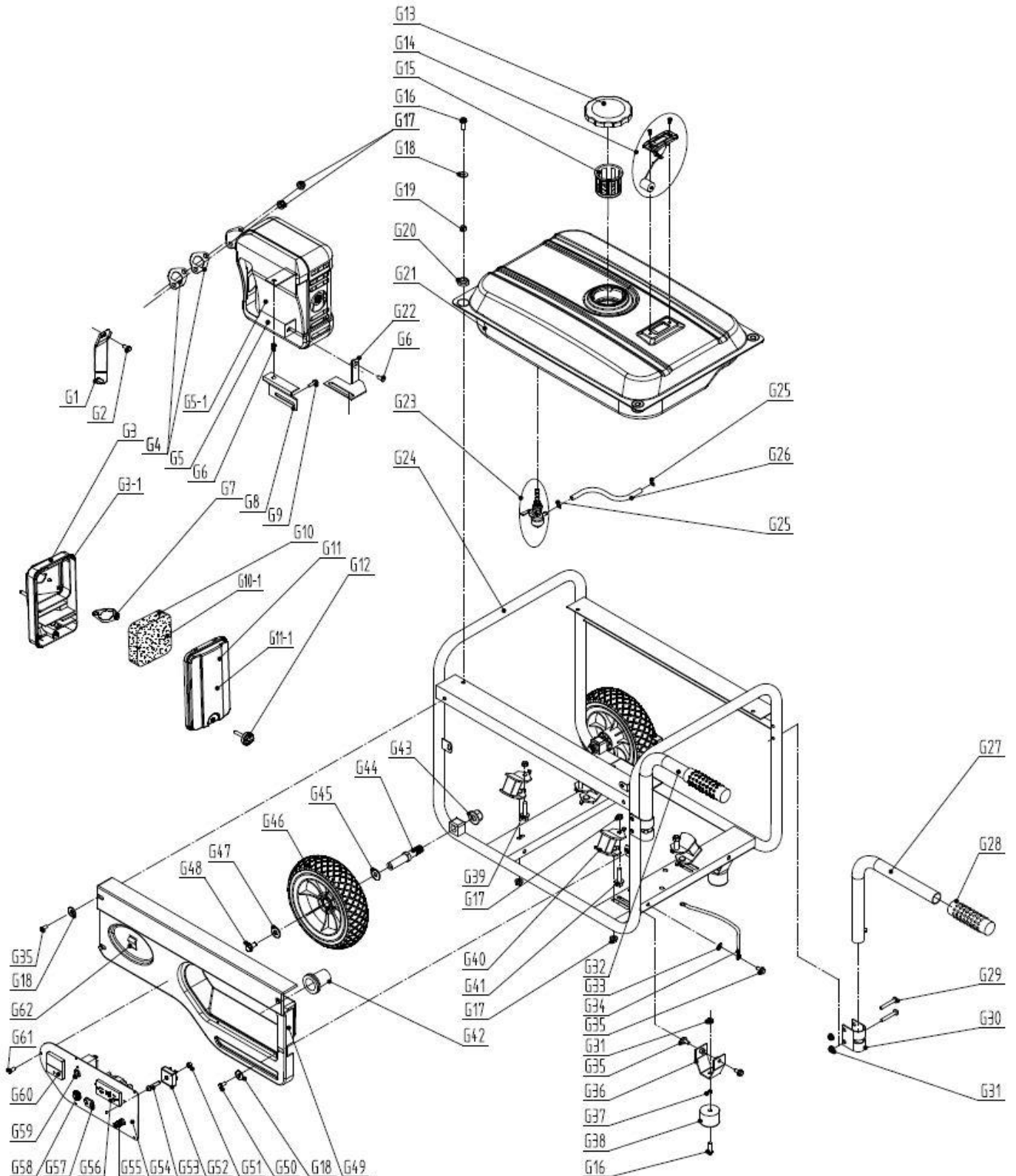
105	XA0814	XA0814	XA0814	SLEEVE	2
106	16002004	34002004	34002004	CASE COVER GASKET	1
107	LSC080338	LSC080338	LSC080338	FLANGE HD HEX. BOLT	7
109	20003101	34003101	34003101	CRANKSHAFT	1
110	16003102	34003102	34003102	TIMING DRIVING GEAR	1
111	16003103	34003103	34003103	DRIVE GEAR	1
112	YJA0418	YJA0418	YJA0418	WOODRUFF KEY	1
113	16003200	34003200	34003200	COMPLETE CONNECTING ROD	1
114	20003004	39003004	39003004	PISTON	1
115	16003005	34003005	34003005	PISTON PIN	1
116	16003006	34003006	34003006	PISTON PIN CLIP	1
117	16003300	39003300	39003300	PISTON RING SET	1
119	20004100	34004100	34004100	CYLINDER HEAD ASSEMBLY	1
119-2	20004101	34004101	34004101	CYLINDER HEAD	1
119-3	16004102	34004102	34004102	INTAKE VALVE GUIDE	1
119-4	16004103	24004103	24004103	EXHAUST VALVE GUIDE	1
119-5	16004104	24004104	24004104	VALVE GUIDE CLIP	2
119-6	16004105	34004105	34004105	INTAKE VALVE SEAT	1
119-7	16004106	34004106	34004106	EXHAUST VALVE SEAT	1
120	LZA08020	LZA08032	LZA08032	THREADED STUD	2
121	16004007	34004007	34004007	THREADED STUD	2
122	XA1016	XA1220	XA1220	SLEEVE	2
123	16004200	24004200	24004200	SPARK PLUG	1
124	16004001	39004001	39004001	CYLINDER HEAD GASKET	1
125	16004300	24004300	24004300	HEAD COVER	1
126	16004002	24004002	24004002	HEAD COVER GASKET	1
128	LSB06012	LSB06012	LSB06012	FLANGE HD HEX. BOLT	4
129	16004004	24004004	24004004	FLANGE HD HEX. BOLT	3
129-2	16004004	24004004	24004004	FLANGE HD HEX. BOLT	1
130	16004005	34004005	34004005	COVER	1
131	LSB06012	LSB06012	LSB06012	FLANGE HD HEX. BOLT	2
133	20005100	39005100	39005100	CAMSHAFT ASSEMBLY	1
134	20005001	24005001	24005001	VALVE LIFTER	2
135	16005002	34005002	34005002	PUSH ROD	2
136	16005003	24005003	24005003	PUSH ROD GUIDE PLATE	1
137	16005201	24005201	24005201	VALVE ROCKER	2
138	16005203	16005203	16005203	PIVOT NUT	2
139	16005202	16005202	16005202	ROCKER PIVOT PIN	2
140	16005204	16005204	16005204	SPECIAL HEX. NUT	2
141	16005004	34005004	34005004	INTAKE VALVE	1
142	16005005	34005005	34005005	EXHAUST VALVE	1
143	16005006	24005006	24005006	VALVE SPRING	2
144	16005007	24005007	24005007	INTAKE VALVE SPRING SEAT	1
145	16005008	24005008	24005008	EXHAUST VALVE SPRING SEAT	1

146	16005009	24005009	24005009	VALVE ROTATOR	1
149	16006100	34006100	34006100	FAN HOOD	1
150	LSB06012	LSB06012	LSB06012	FLANGE HEAD HEX. BOLT	4
151-160	16006200	34006200	34006200	RECOIL ASSEMBLY	1
151	16006201	34006201	34006201	CASING	1
152	16006202	34006202	34006202	SPIRAL SPRING	1
153	16006203	34006203	34006203	ROPE REEL	1
154	16006204	34006204	34006204	RATCHET SPRING	2
155	16006205	34006205	34006205	RATCHET	2
156	16006206	34006206	34006206	FRICITION SPRING	1
157	16006207	34006207	34006207	SPRING LID	1
158	16006208	34006208	34006208	FLANGED RETAINER BOLT	1
159	16006209	34006209	34006209	STARTER ROPE	1
160	16006210	34006210	34006210	PULL HANDLE	1
161	LSB06008	LSB06010	LSB06010	FLANGE HEAD HEX. BOLT	3
162	16006001	34006001	34006001	STARTER SHROUD	1
163	LSB06012	LSB06012	LSB06012	FLANGE HEAD HEX BOLT	1
164	16007001	39007001	39007001	AIR CLEANER GASKET	1
165	16007002	39007002	39007002	CARBURETOR GASKET	1
167	16007004	34007004	34007004	INLET GASKET	1
168	20007200A	39007200A	39007200A	CARBURETOR ASSEMBLY	1
168-2	-	-	-	FLOAT CHAMBER DRAIN SCREW	2
168-3	-	-	-	FIBER WASHER	2
168-4	-	-	-	FLOAT CHAMBER	1
168-5	-	-	-	FLOAT CHAMBER GASKET	1
168-6	-	-	-	FLOAT	1
168-7	-	-	-	CHOKE BUTTERFLY	1
168-9	-	-	-	MIXTURE ADJUSTMENT SCREW	1
169-2	-	-	-	SPRING FOR MIXTURE ADJUSTMENT	1
169-3	-	-	-	THROTTLE UNIT	1
169-6	-	-	-	CHOKE SWITCH	1
173	16009200	34009200	34009200	SPEED CONTROL ASSEMBLY	1
173-3	-	-	-	PAN HEAD SCREW	1
173-4	-	-	-	CONTROL ADJUST SPRING	1
173-5	-	-	-	CONTROL PULL SPRING	1
174	LSB06012	LSB06012	LSB06012	FLANGE HD HEX. BOLT	2
175	16009001	34009001	34009001	GOVERNOR ROD	1
176	16009002	34009002	34009002	THROTTLE RETURN SPRING	1
177	16009003	34009003	34009003	GOVERNOR SPRING	1
179	16009005	16009005	16009005	GOVERNOR ARM BOLT	1
180	LMB06	LMB06	LMB06	FLANGE BOLT	1
187	16012100	34012100	34012100	FLY WHEEL	1
188	16012001	34012001	34012001	COOLING FAN	1

189	16012002	34012002	34012002	STARTER PULLEY	1
190	16012003	24012003	24012003	FLY WHEEL NUT	1
191	16012004	34012004	34012004	IGNITION COIL	1
192	LSB06028	LSB06028	LSB06028	FLANGE HD HEX. BOLT	2
193	16012005	24012005	24012005	OIL SENSOR	1
194	LSB06014	LSB06014	LSB06014	FLANGE HD HEX. BOLT	2
195	LMB10	LMB10	LMB10	SPECIAL NUT	1
196	16012007	16012007	16012007	DIODE	1
197	KBPC3506	KBPC3506	KBPC3506	DIODE BRIDGE	1
	30001000	39001000	42001000	ENGINE	1
198	-	-	34012100E	FLYWHEEL COMPONENT - ELECTRIC TYPE	1
199	-	-	34012400	STARTER MOTOR ASSEMBLY	1
200	-	-	XA810	DOWEL PIN	2
201	-	-	201	BOLT M6*8	1
202	-	-	202	PRESSURE PLATE	1
203	-	-	203	CHARGING COIL	1
204	-	-	204	BOLT M6*30	2

PARTS LIST 2 – GENERATORS

Frame, Control Panel, Muffler, Fuel Tank and Air Cleaner: BG2800



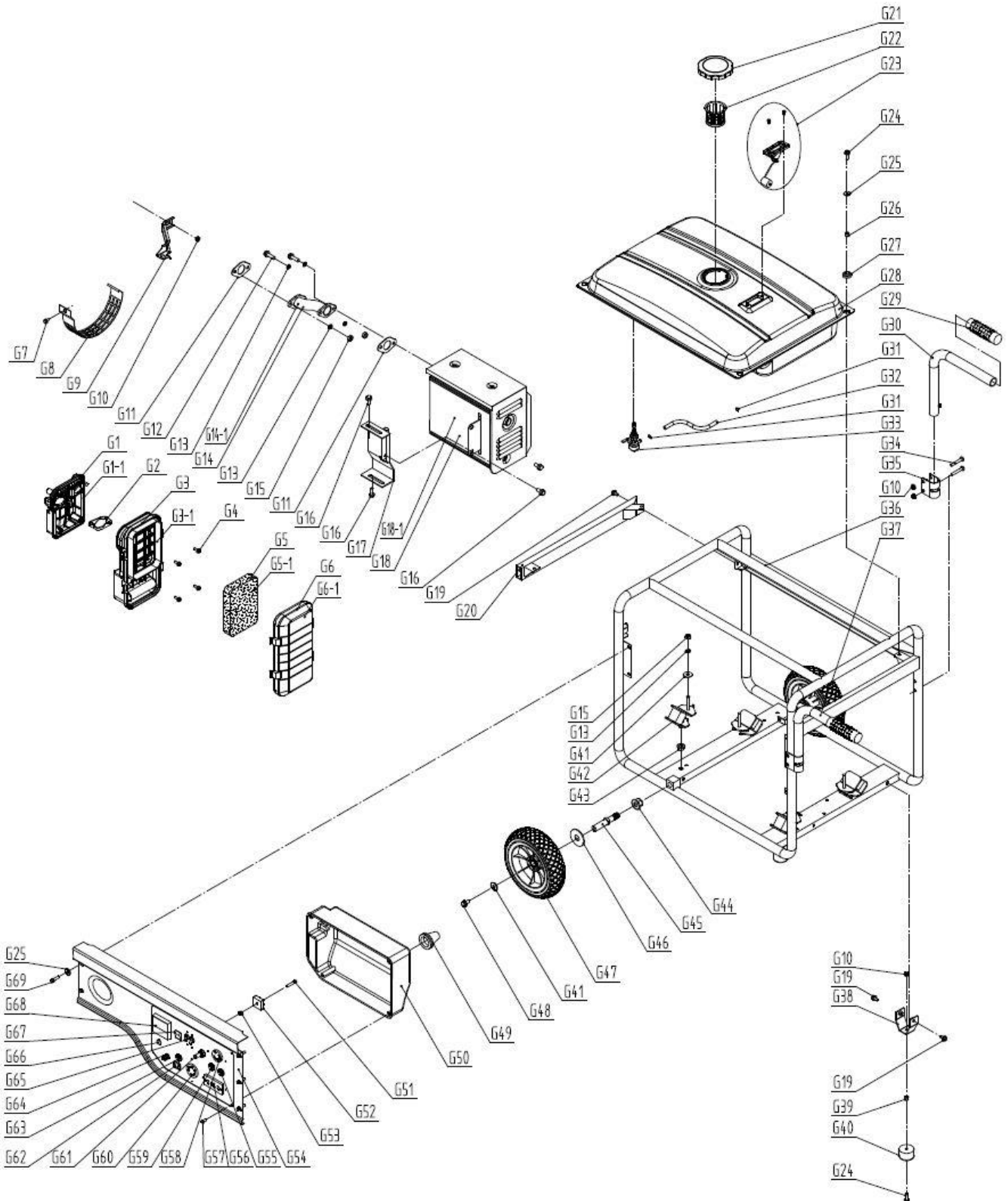
Frame, Control Panel, Muffler, Fuel Tank and Air Cleaner: BG2800 – Parts List 2

MODEL	ITEM NO.	DESCRIPTION	QTY.
BG2800	G1	AIR CLEANER SUPPORT	1
BG2800	G2	FLANGE BOLT M6*10	1
BG2800	G3	AIR CLEANER ELBOW COMP AFTER 2014	1
BG2800	G3-1	AIR CLEANER ELBOW COMP BEFORE 2014	1
BG2800	G4	EX. PIPE GASKET	2
BG2800	G5	MUFFLER AFTER 2014	1
BG2800	G5-1	MUFFLER BEFORE 2014	1
BG2800	G6	FLANGE BOLT M8*16	2
BG2800	G7	AIR CLEANER PLATE	1
BG2800	G8	MUFFLER ABOVE SUPPORT	1
BG2800	G9	FLANGE BOLT M6*14	1
BG2800	G10	AIR CLEANER ELEMENT AFTER 2014	1
BG2800	G10-1	AIR CLEANER ELEMENT BEFORE 2014	1
BG2800	G11	AIR CLEANER COVER AFTER 2014	1
BG2800	G11-1	AIR CLEANER COVER BEFORE 2014	1
BG2800	G12	BOLT FOR AIR CLEANER	1
BG2800	G13	FUEL TANK CAP	1
BG2800	G14	FUEL INDICATOR	1
BG2800	G15	FUEL FILTER	1
BG2800	G16	FLANGE BOLT M6*20	6
BG2800	G17	NUT M8	10
BG2800	G18	WASHER 6	8
BG2800	G19	FUEL TANK SLEEVE	4
BG2800	G20	SHOCK ABSORBER FOR FUEL TANK	4
BG2800	G21	FUEL TANK	1
BG2800	G22	MUFFLER BELOW SUPPORT	1
BG2800	G23	FUEL COCK	1
BG2800	G24	FRAME	1
BG2800	G25	CLIP	2
BG2800	G26	FUEL PIPE	1
BG2800	G27	RIGHT HANDLE	1
BG2800	G28	GUM SLEEVE	2
BG2800	G29	SCREW M6*40	4
BG2800	G30	SPLINT	1
BG2800	G31	NUT M6	4
BG2800	G32	LEFT HANDLE	1
BG2800	G33	WASHER 6	1
BG2800	G34	GROUND WIRE	1
BG2800	G35	FLANGE BOLT M6*12	7
BG2800	G36	WHEEL FEET	2
BG2800	G37	COLLAR	2
BG2800	G38	SHOCK ABSORBER	2

BG2800	G39	FLANGE BOLT M8*33.5	2
BG2800	G40	SHOCK ABSORBER ALTERNATOR SIDE	4
BG2800	G41	FLANGE BOLT M8*40	2
BG2800	G42	RUBBER GUARD	1
BG2800	G43	NUT M16	2
BG2800	G44	AXLE	2
BG2800	G45	WASHER 16	2
BG2800	G46	FOAM WHEEL	2
BG2800	G47	WASHER 8	2
BG2800	G48	FLANGE BOLT M8*20	2
BG2800	G49	PANEL BACK COVER	1
BG2800	G50	FLANGE BOLT M6*22	2
BG2800	G51	NUT M5	1
BG2800	G52	REGULATOR	1
BG2800	G53	SPECIAL SCREW	1
BG2800	G54	CONTROL PANEL PRESSING PART	1
BG2800	G55	BOLT FOR GROUNDING	1
BG2800	G56	SQUARE SCOKET	1
BG2800	G57	DC V SOCKET	1
BG2800	G58	OVERCURRENT SWITCH 7A	1
BG2800	G59	BREAKER	1
BG2800	G60	VOLTMETER	1
BG2800	G61	SCREW 4*10	5
BG2800	G62	ENGINE ON/OFF SWITCH	1

PARTS LIST 3 – GENERATORS

Frame, Control Panel, Muffler, Fuel Tank and Air Cleaner: BG5000



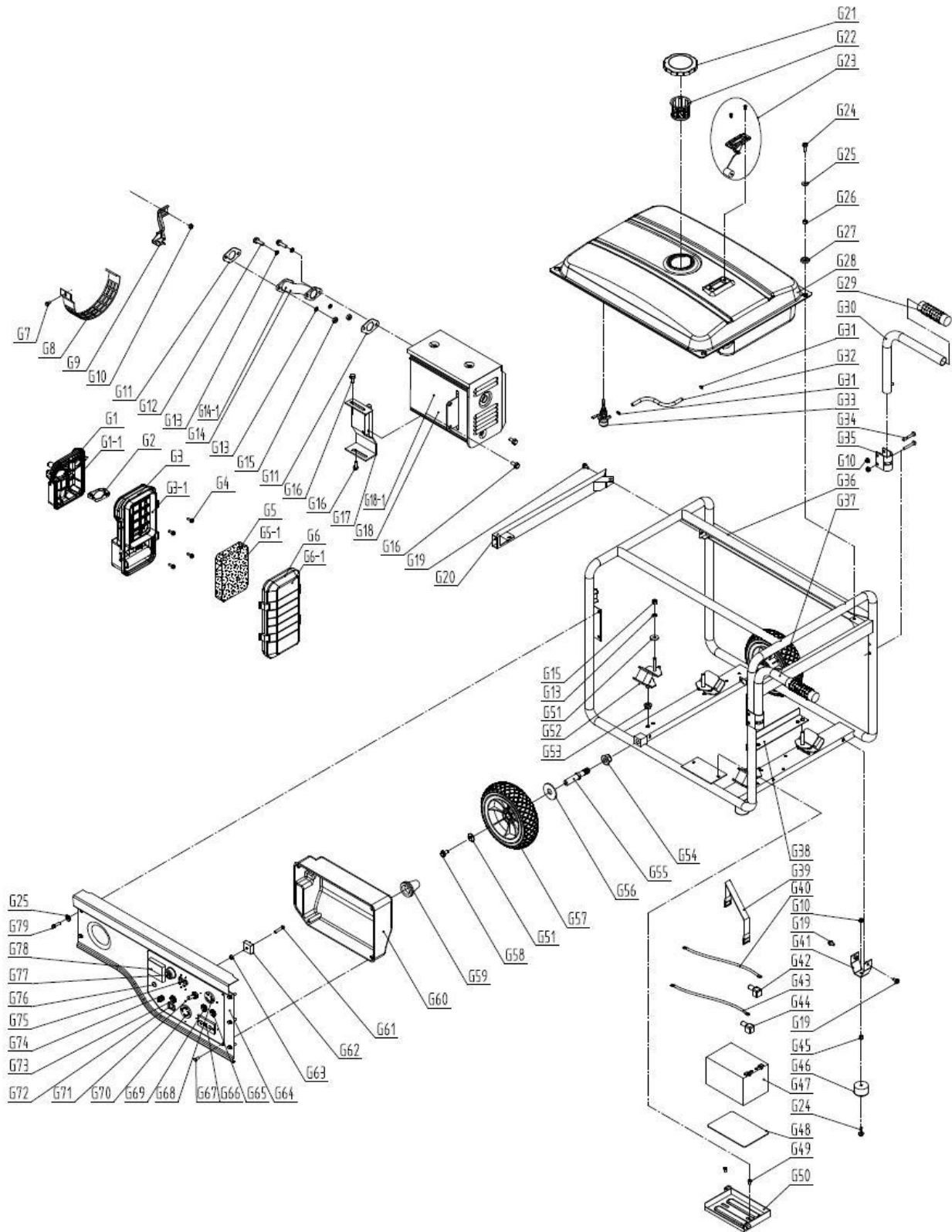
Frame, Control Panel, Muffler, Fuel Tank and Air Cleaner: BG5000 – Parts List 3

MODEL	ITEM	DESCRIPTION	QTY.
BG5000	G1	AIR CLEANER ELBOW COMP AFTER 2014	1
BG5000	G1-1	AIR CLEANER ELBOW COMP BEFORE 2014	1
BG5000	G2	AIR CLEANER PLATE	1
BG5000	G3	AIR CLEANER AFTER 2014	1
BG5000	G3-1	AIR CLEANER BEFORE 2014	1
BG5000	G4	FLANGE BOLT M5*16	4
BG5000	G5	AIR CLEANER ELEMENT AFTER 2014	1
BG5000	G5-1	AIR CLEANER ELEMENT BEFORE 2014	1
BG5000	G6	AIR CLEANER COVER AFTER 2014	1
BG5000	G6-1	AIR CLEANER COVER BEFORE 2014	1
BG5000	G7	FLANGE BOLT M5*10	1
BG5000	G8	ALTERNATOR COVER	1
BG5000	G9	AIR CLEANER SUPPORT	1
BG5000	G10	NUT M6	7
BG5000	G11	EX. PIPE GASKET	2
BG5000	G12	FLANGE BOLT M8*25	2
BG5000	G13	SPRING WASHER 8	8
BG5000	G14	EXHAUST PIPE AFTER 2014	1
BG5000	G14-1	EXHAUST PIPE BEFORE 2014	1
BG5000	G15	BOLT M8	6
BG5000	G16	FLANGE BOLT M8*16	4
BG5000	G17	MUFFLER SUPPORT	1
BG5000	G18	MUFFLER AFTER 2014	1
BG5000	G18-1	MUFFLER BEFORE 2014	1
BG5000	G19	FLANGE BOLT M6*12	6
BG5000	G20	FRAME SIDE BAR	1
BG5000	G21	FUEL TANK CAP	1
BG5000	G22	FUEL FILTER	1
BG5000	G23	FUEL INDICATOR	1
BG5000	G24	FLANGE BOLT M6*20	6
BG5000	G25	WASHER 6	9
BG5000	G26	FUEL TANK SLEEVE	4
BG5000	G27	SHOCK ABSORBER FOR FUEL TANK	4
BG5000	G28	FUEL TANK	1
BG5000	G29	GUM SLEEVE	2
BG5000	G30	RIGHT HANDLE	1
BG5000	G31	CLIP	2
BG5000	G32	FUEL PIPE	1
BG5000	G33	FUEL COCK	1
BG5000	G34	SCREW M6*40	4
BG5000	G35	SPLINT	2
BG5000	G36	FRAME	1

BG5000	G37	LEFT HANDLE	1
BG5000	G38	WHEEL FEET	2
BG5000	G39	COLLAR	2
BG5000	G40	SHOCK ABSORBER	2
BG5000	G41	WASHER 8	6
BG5000	G42	SHOCK ABSORBER ALTERNATOR SIDE	4
BG5000	G43	NUT M10	4
BG5000	G44	NUT M14*1.5	2
BG5000	G45	AXLE	2
BG5000	G46	WASHER 16	2
BG5000	G47	FOAM WHEEL	2
BG5000	G48	FLANGE BOLT M8*20	2
BG5000	G49	RUBBER GUARD	1
BG5000	G50	PANEL BACK COVER	1
BG5000	G51	SPECIAL SCREW M5*20	1
BG5000	G52	REGULATOR	1
BG5000	G53	NUT M5	1
BG5000	G54	CONTROL PANEL PRESSING PART	1
BG5000	G55	OVERCURRENT SWITCH 30A	1
BG5000	G56	SQUARE SOCKET	1
BG5000	G57	SCREW 4*16	2
BG5000	G58	AMERICAN ANTI-LOOSE SOCKET	1
BG5000	G59	OVERCURRENT PROTECTOR	1
BG5000	G60	AMERICAN FOUR-HOLE SOCKET	1
BG5000	G61	NKK SWITCH	1
BG5000	G62	DC V SOCKET	1
BG5000	G63	OVERCURRENT SWITCH 7A	1
BG5000	G64	BOLT FOR GROUNDING	1
BG5000	G65	BREAKER	1
BG5000	G66	POWER INDICATOR LIGHT	1
BG5000	G67	ENGINE ON/OFF SWITCH	1
BG5000	G68	VOLTMETER	1
BG5000	G69	FLANGE BOLT M6*12	5

PARTS LIST 4 – GENERATORS

Frame, Control Panel, Muffler, Fuel Tank and Air Cleaner: BG7500E



Frame, Control Panel, Muffler, Fuel Tank and Air Cleaner: BG7500E – Parts List 4

MODEL	ITEM NO.	DESCRIPTION	QTY.
BG7500E	G1	AIR CLEANER ELBOW COMP AFTER 2014	1
BG7500E	G1-1	AIR CLEANER ELBOW COMP BEFORE 2014	1
BG7500E	G2	AIR CLEANER PLATE	1
BG7500E	G3	AIR CLEANER AFTER 2014	1
BG7500E	G3-1	AIR CLEANER BEFORE 2014	1
BG7500E	G4	FLANGE BOLT M5*16	4
BG7500E	G5	AIR CLEANER ELEMENT AFTER 2014	1
BG7500E	G5-1	AIR CLEANER ELEMENT BEFORE 2014	1
BG7500E	G6	AIR CLEANER COVER AFTER 2014	1
BG7500E	G6-1	AIR CLEANER COVER BEFORE 2014	1
BG7500E	G7	FLANGE BOLT M5*10	1
BG7500E	G8	ALTERNATOR COVER	1
BG7500E	G9	AIR CLEANER SUPPORT	1
BG7500E	G10	NUT M6	7
BG7500E	G11	EX. PIPE GASKET	2
BG7500E	G12	FLANGE BOLT M8*25	2
BG7500E	G13	SPRING WASHER 8	8
BG7500E	G14	EXHAUST PIPE AFTER 2014	1
BG7500E	G14-1	EXHAUST PIPE BEFORE 2014	1
BG7500E	G15	BOLT M8	6
BG7500E	G16	FLANGE BOLT M8*16	4
BG7500E	G17	MUFFLER SUPPORT	1
BG7500E	G18	MUFFLER AFTER 2014	1
BG7500E	G18-1	MUFFLER BEFORE 2014	1
BG7500E	G19	FLANGE BOLT M6*12	6
BG7500E	G20	FRAME SIDE BAR	1
BG7500E	G21	FUEL TANK CAP	1
BG7500E	G22	FUEL FILTER	1
BG7500E	G23	FUEL INDICATOR	1
BG7500E	G24	FLANGE BOLT M6*20	6
BG7500E	G25	WASHER 6	9
BG7500E	G26	FUEL TANK SLEEVE	4
BG7500E	G27	SHOCK ABSORBER FOR FUEL TANK	4
BG7500E	G28	FUEL TANK	1
BG7500E	G29	GUM SLEEVE	2
BG7500E	G30	RIGHT HANDLE	1
BG7500E	G31	CLIP	2
BG7500E	G32	FUEL PIPE	1
BG7500E	G33	FUEL COCK	1
BG7500E	G34	SCREW M6*40	4
BG7500E	G35	SPLINT	2
BG7500E	G36	FRAME	1

BG7500E	G37	LEFT HANDLE	1
BG7500E	G38	ALTERNATOR BACK COVER SUPPORT	1
BG7500E	G39	BATTERY FIX RUBBER	1
BG7500E	G40	BLACK BATTERY WIRE	1
BG7500E	G41	WHEEL FEET	2
BG7500E	G42	BLACK BATTERY WIRE GUARD	1
BG7500E	G43	RED BATTERY WIRE	1
BG7500E	G44	RED BATTERY WIRE GUARD	1
BG7500E	G45	COLLAR	2
BG7500E	G46	SHOCK ABSORBER	2
BG7500E	G47	BATTERY	1
BG7500E	G48	BATTERY RUBBER PAD	1
BG7500E	G49	SPECIAL SCREW M6*10	2
BG7500E	G50	BATTERY FIXER	1
BG7500E	G51	WASHER 8	6
BG7500E	G52	SHOCK ABSORBER ALTERNATOR SIDE	4
BG7500E	G53	NUT M10	4
BG7500E	G54	NUT M14*1.5	2
BG7500E	G55	AXLE	2
BG7500E	G56	WASHER 16	2
BG7500E	G57	FOAM WHEEL	2
BG7500E	G58	FLANGE BOLT M8*20	2
BG7500E	G59	RUBBER GUARD	1
BG7500E	G60	PANEL BACK COVER	1
BG7500E	G61	SPECIAL SCREW M5*20	1
BG7500E	G62	REGULATOR	1
BG7500E	G63	NUT M5	1
BG7500E	G64	CONTROL PANEL PRESSING PART	1
BG7500E	G65	OVERCURRENT SWITCH 30A	1
BG7500E	G66	SQUARE SCOKET	1
BG7500E	G67	SCREW 4*16	2
BG7500E	G68	AMERICAN ANTI-LOOSE SOCKET	1
BG7500E	G69	OVERCURRENT PROTECTOR	1
BG7500E	G70	AMERICAN FOUR-HOLE SOCKET	1
BG7500E	G71	NKK SWITCH	1
BG7500E	G72	DC V SOCKET	1
BG7500E	G73	OVERCURRENT SWITCH 7A	1
BG7500E	G74	BOLT FOR GROUNDING	1
BG7500E	G75	BREAKER	1
BG7500E	G76	POWER INDICATOR LIGHT	1
BG7500E	G77	KEY SWITCH	1
BG7500E	G78	VOLTMETER	1
BG7500E	G79	FLANGE BOLT M6*12	5

DECLARATION OF CONFORMITY

CERTIFICAT DE CONFORMITÉ / GELIJKVORMIGHEIDS CERTIFICAAT / DECLARACIÓN DE CONFORMIDAD / DECLARAÇÃO DE CONFORMIDADE / DICHIARAZIONE DI CONFORMITA

We:

Bartell Morrison Inc.
170 Traders Blvd E
Mississauga, Ontario, Canada
L4Z 1W7

Bartell Morrison USA LLC
200 Commerce Drive, Unit A
Freehold, NJ, USA
07728

Declare under our sole responsibility that the product to which this declaration relates is in conformity with the following standard(s) or other normative documents.

Déclarons sous notre responsabilité que le produit cette déclaration est conforme aux normes suivantes ou d'autres documents habituels.

Verklaren onder onze verantwoordelijkheid dat het product naar welke de verklaring verwijst conform de volgende standaards of anders gebruikelijke documenten is.

Declaramos bajo nuestra única responsabilidad que el producto en lo que esta declaración concierne, es conforme con la siguiente normativa u otros documentos.

Declara sob sua responsabilidade que o produto a quem esta declaração interessar, está em conformidade com os seguintes documentos legais ou normas directivas.

Dichiariamo sotto la ns. unica responsabilità che il prodotto al quale questa dichiarazione si riferisce, è fabbricato in conformità ai seguenti standard e documenti di normative.

EN 349:1993	Safety of Machinery - Minimum gaps to avoid crushing of parts of the human body.
EN 418:1993	Safety of Machinery - Emergency stop equipment, functional aspects - Principles for design
EN 12100-1:2003	Safety of Machinery - Basic Concepts, general principles for design - Part 1: Basic Terminology, methodology
EN 12100-2:2003	Safety of Machinery - Basic Concepts, general principles for design - Part 2: Technical Principles
EN ISO 4872:1978	Acoustics - Measurement of Airborne noise emitted by construction equipment intended for outdoor use - Method for determining compliance with noise limits.
EN ISO 5349-1:2001	Mechanical vibration. Measurement and evaluation of human exposure to hand-transmitted vibration. General requirements
EN ISO 5349-2:2001	Mechanical vibration. Measurement and assessment of human exposure to hand-transmitted vibration. Practical guidance for measurement at the workplace.

Following the provisions of Directive(s):

Suivant les directive(s) déterminées:

Volgens de vastgestelde richtlijnen:

Siguiendo las directiva(s):

No seguimento das clausulas da Directiva(s):

Seguendo quanto indicato dalla Direttiva(s):

98/37/EC	Machinery Directive
2000/14/EC	Noise Directive
2001/95/EC	General Product Safety Directive
2002/95/EC	Reduction of Hazardous Waste Directive

BARTELL

BARTELL GLOBAL



Bartell Morrison Inc.
170 Traders Blvd E
Mississauga, Ontario, Canada
L4Z 1W7
Tel: 1-647-953-4100
Fax: 1-647-953-4101



Bartell Morrison (USA) LLC
200 Commerce Drive, Unit A
Freehold, New Jersey, USA
07728
Tel: 1-848-225-8100
Fax: 1-848-225-8101



Innovatech
4701 Allmond Ave
Louisville, Kentucky, USA
40209
Tel: (425) 405-9100
Fax: (425) 405-9101



SPE International
Honeyholes Lane
Dunholme, Lincoln, UK
LN2 3SU
Tel: +44 (0)1673 860709
Fax: +44 (0)1673 861119



**BARTELL
GLOBAL**

**5 BRANDS - 1 SOURCE FOR
GREAT EQUIPMENT**
BARTELL morrison SPE Innovatech CONTEC

BARTELLGLOBAL.COM