

BARTELL

CONCRETE EQUIPMENT

Bartell Morrison Inc.
375 Annagem Blvd.,
Mississauga, ON, Canada
L5T 2A7
Toll Free (N.A.): 1 866 501 1683
Local: +1 905 364 4200
Fax: +1 905 364 4201

PARTS *MANUAL* **HYDRAULIC REVERSIBLE PLATE COMPACTOR**

B2435DR



**ORIGINAL
LANGUAGE**

Doc. # PB-B09021
Orig. Rel. - 03/2010
Curr. Rev. - 04
Rev. Date - 06/2013

Bartell Morrison Inc.
375 Annagem Blvd.
Mississauga, Ontario, Canada
L5T 3A7
Toll Free (N.A.): (866) 501-1683
Phone: (905) 364-4200
Facsimile: (905) 364-4201
www.bartellmorrison.com

Bartell Morrison (USA) LLC
25 Industrial Drive,
Keyport, New Jersey, USA
07735
Toll Free: 888-999-1570
Phone: (732) 566-5400
Facsimile: (732) 566-5444
www.bmiamerica.com

ORIGINAL LANGUAGE PARTS BOOK FOR
 BARTELL HYDRAULIC REVERSIBLE PLATE COMPACTORS

© 2010 Bartell Morrison Inc.

No part of this work may be reproduced or transmitted in any form or by any means, electronic or mechanical, including photocopying and recording, or by any information storage or retrieval system without the prior written permission of Bartell Morrison Inc. unless such copying is permitted by federal copyright laws.

Address inquiries or reference permissions care of:

Bartell Morrison Inc.,
 375 Annagem Blvd.,
 Mississauga, Ontario,
 Canada, L5T 3A7

Revision	Date	Description	Approved by.
00	03/2010	Initial release	RSL
01	06/2010	Added address info to front cover., updated legal address info.	RSL
02	08/2010	Parts List 5: Item No. 47 and 48 update, Parts List 2: Item No. 125 update.	RSL
03	07/2012	Parts numbers updated.	AL

PARTS BOOK B2435DR

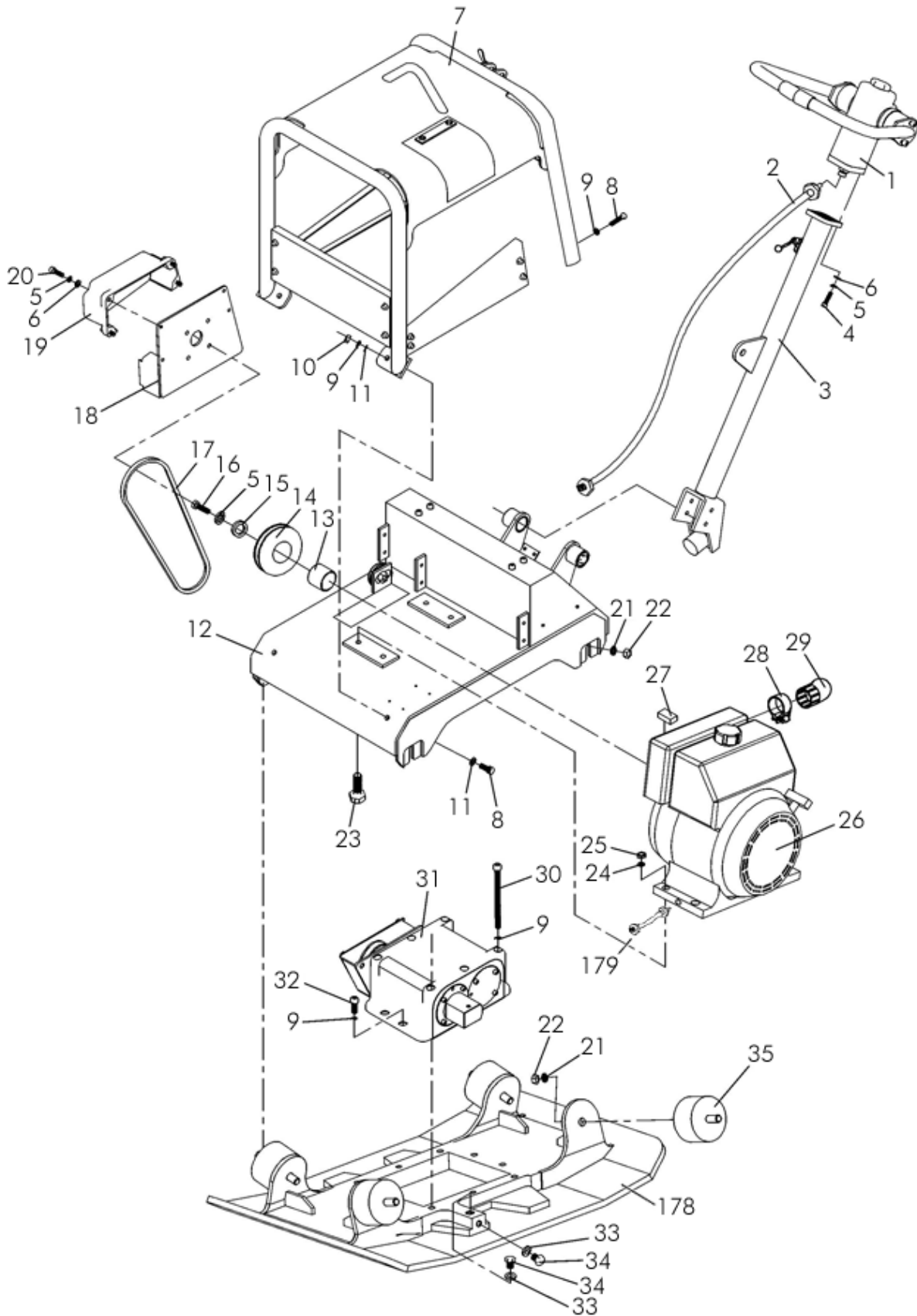
TABLE OF CONTENTS

1. GENERAL ASSEMBLY	4
2. BRIDGE ASSEMBLY	6
3. ROLL CAGE ASSEMBLY	8
4. HANDLE ASSEMBLY	10
5. CONTROL VALVE ASSEMBLY	12
6. EXCITER ASSEMBLY	14
7. LABELS	18

PARTS LIST 1

B2435DR

GENERAL ASSEMBLY



PARTS LIST 1

B2435DR

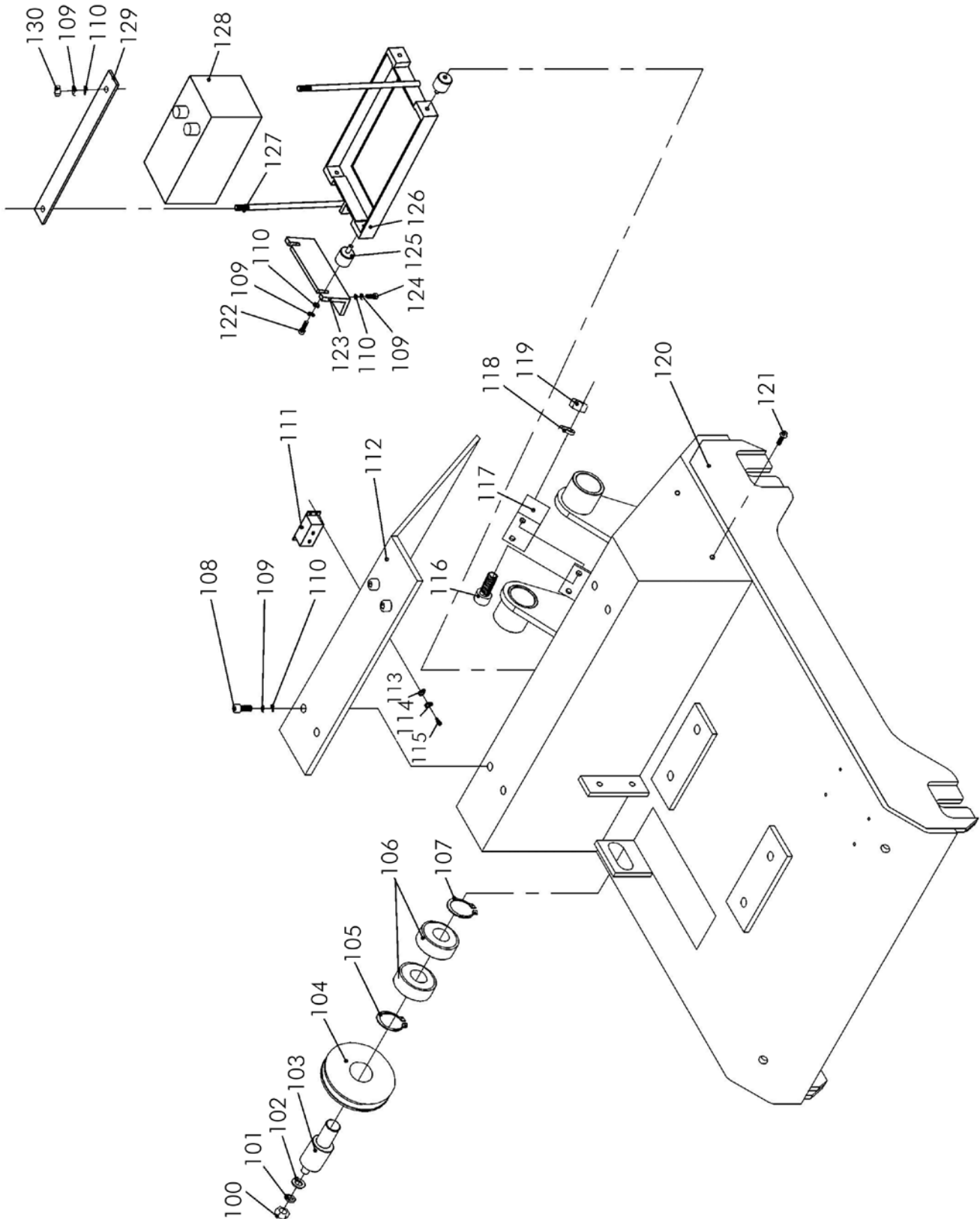
GENERAL ASSEMBLY

ITEM NO.	PART #	DESCRIPTION	QTY.	REMARK
1	31249	CONTROL VALVE ASSEMBLY	1	
2	31250	HYDRAULIC HOSE ASSEMBLY	1	
3	31251	HANDLE ASSEMBLY	1	
4	14986	SHCS, M8x40	4	
5	11614	WASHER, LOCK, 8MM	9	
6	11667	WASHER, FLAT, 8MM	5	
7	31252	ROLL CAGE ASSEMBLY	1	
8	10176	SHCS, M12x35	4	
9	10735	WASHER, LOCK, 12MM	4	
10	10956	LOCK NUT, M12	4	
11	31173	WASHER, FLAT, 12MM	8	
12	31253	ENGINE MOUNTING PLATE	1	
13	31254	SLEEVE	1	
14	31255	CLUTCH	1	
15	31256	WASHER	1	
16	11619	HHCS, M8x25	1	
17	31257	V-BELT, B1016Li/B40	1	
18	31258	GASKET, INNER BELT GUARD	1	
19	31259	CLUTCH COVER, BELT GUARD	1	
20	11772	SHCS, M8x25	4	
21	31260	WASHER, LOCK, M16	4	
22	60138	LOCK NUT, M16	4	
23	11350	HHCS, M10x55	4	
24	11621	WASHER, LOCK, 10MM	4	
25	11802	LOCK NUT, M10	4	
26		ENGINE	1	
27	11003	KEY (1/4" SQx2")	1	
28	31261	CLAMP	1	
29	31262	CONNECTOR	1	
30	31263	SHCS, M12x150	6	
31	31264	EXCITER ASSEMBLY	1	
32	31265	SHCS, M12x50	4	
33	31266	GASKET	2	
34	31267	HEX PIPE PLUG	2	
35	31268	VIBRATION MOUNT	4	
178	31353	BASE PLATE ASSEMBLY	1	
179	31354	OIL DRAIN HOSE	1	

PARTS LIST 2

B2435DR

BRIDGE ASSEMBLY



PARTS LIST 2

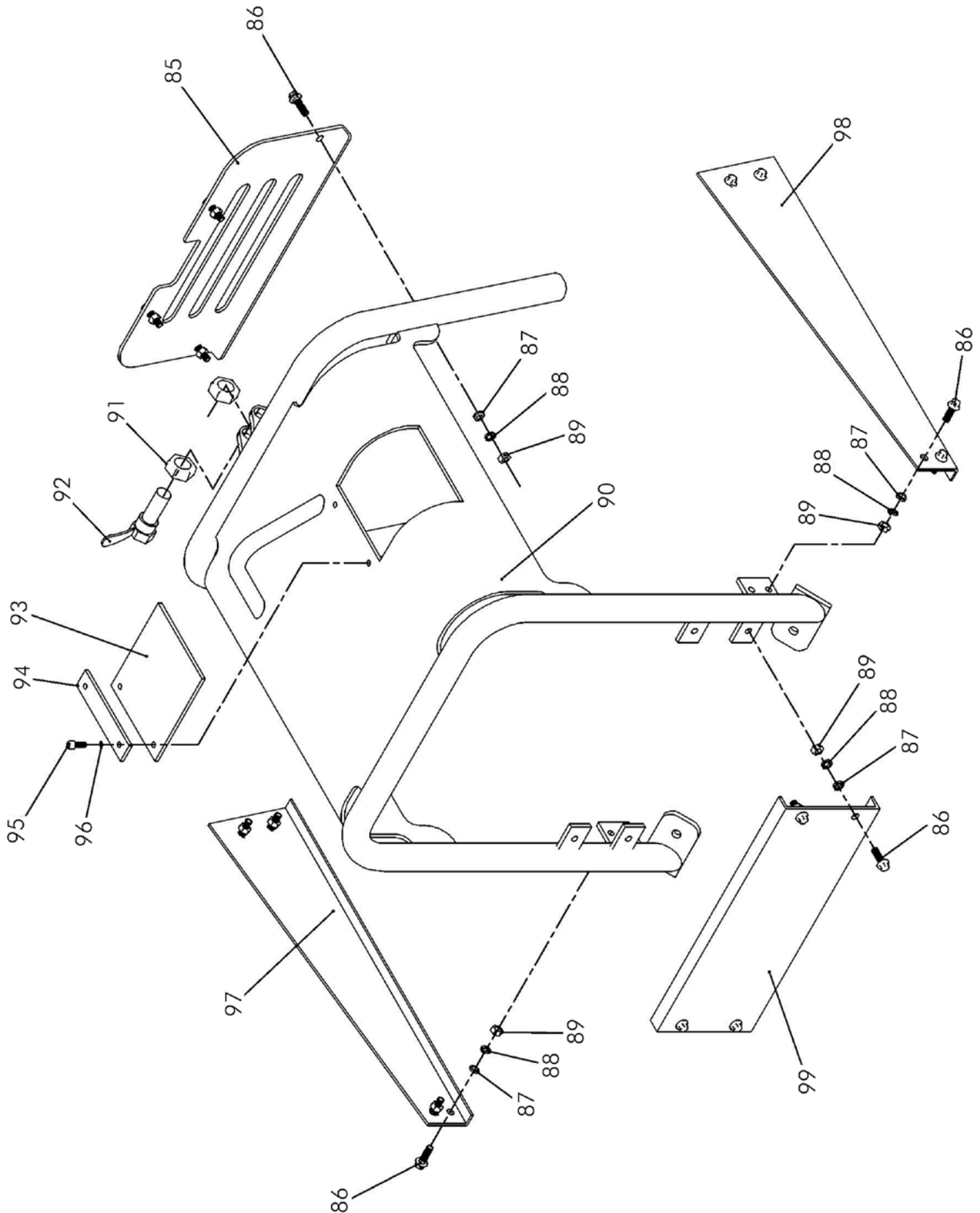
B2435DR

BRIDGE ASSEMBLY

ITEM NO.	PART #	DESCRIPTION	QTY.	REMARK
100	31210	NUT, M16	1	
101	31260	WASHER, LOCK, 16MM	1	
102	31211	WASHER, FLAT, 16MM	1	
103	31269	SHAFT, TENSIONER	1	
104	31270	TENSION PULLEY	1	
105	31271	RETAINING RING, 42MM	1	
106	31272	BEARING	2	
107	31273	RETAINING RING, 20MM	1	
108	11515	SHCS, M8x15, HHCS, M8x16	9	
109	11614	WASHER, LOCK, 8MM	15	
110	11667	WASHER, FLAT, 8MM	15	
111	31274	SWITCH	1	
112	31275	COVER	1	
113	14447	WASHER, FLAT, 6MM	4	
114	11620	WASHER, LOCK, 6MM	4	
115	11618	HHCS, M6x12	4	
116	11841	HHCS, M6-1x45	2	
117	31276	CLAMP	1	
118	11620	WASHER, LOCK, 6MM	2	
119	50622	NUT, M6	1	
120	31277	BRIDGE PLATE	1	
121	11515	HHCS, M8x16	2	
122	10997	HHCS, M8x20	2	
123	31278	BRACKET	1	
124	11681	FHSCS, M8x16	9	
125	31246	VIBRATION MOUNT	4	
126	31279	BATTERY TRAY	1	
127	31280	SUPPORT ROD	1	
128	31287	BATTERY	1	
129	31282	BATTERY STRAP	1	
130	11617	LOCK NUT, M8	2	

PARTS LIST 3 B2435DR

ROLL CAGE ASSEMBLY



PARTS LIST 3

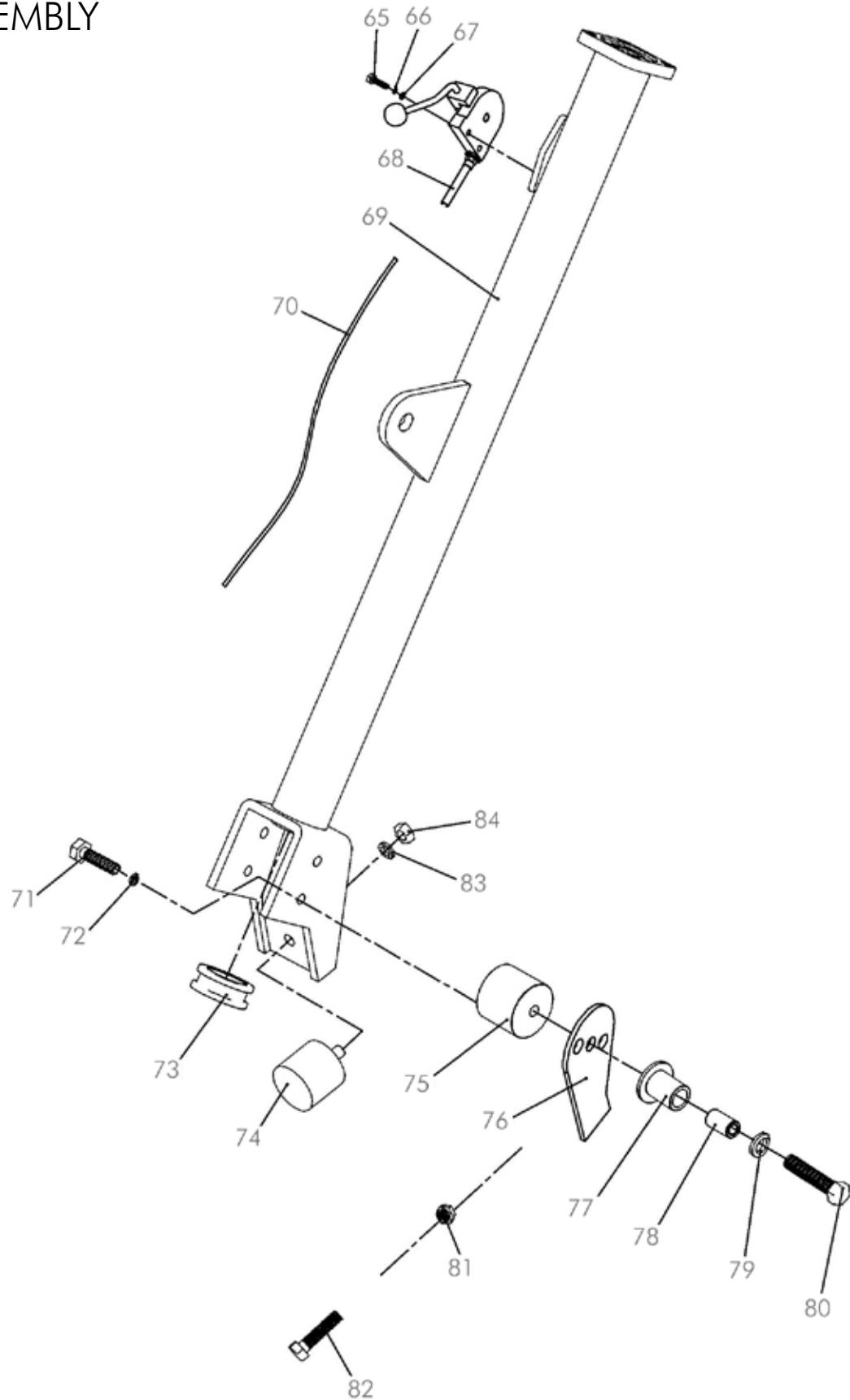
B2435DR

ROLL CAGE ASSEMBLY

ITEM NO.	PART #	DESCRIPTION	QTY.	REMARK
85	31283	COVER PLATE, BACK	1	
86	14989	HHCS, M10x30	16	
87	31177	WASHER, FLAT, 10MM	16	
88	11621	WASHER, LOCK, 10MM	16	
89	11622	HEX NUT, M10	16	
90	31284	ROLL CAGE	1	
91	31285	HEX NUT, M18	2	
92	31286	PULL HANDLE	1	
93	31287	RUBBER COVER PLATE	1	
94	31288	MOUNTING STRIP	1	
95	11614	WASHER, LOCK, 8MM	2	
96	10997	HHCS, M8x20	2	
97	31289	COVER PLATE, LEFT	1	
98	31290	COVER PLATE, RIGHT	1	
99	31291	COVER PLATE, FRONT	1	

PARTS LIST 4 B2435DR

HANDLE ASSEMBLY



PARTS LIST 4

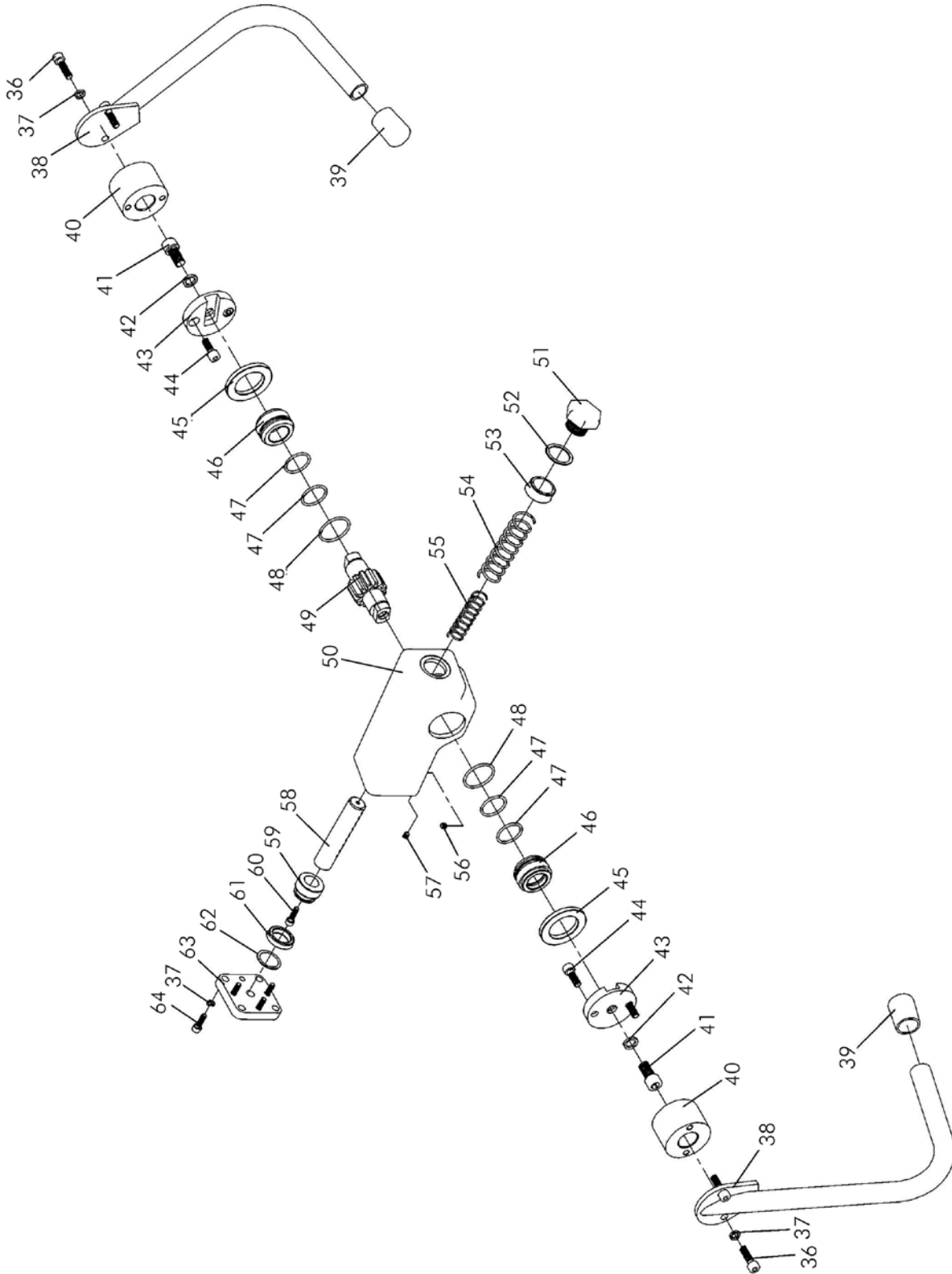
B2435DR

HANDLE ASSEMBLY

ITEM NO.	PART #	DESCRIPTION	QTY.	REMARK
65	11635	HHCS, M6x30	2	
66	11620	WASHER, LOCK, 6MM	2	
67	14447	WASHER, FLAT, 6MM	2	
68	31284	THROTTLE CONTROL LEVER	1	
69	31292	HANDLE	1	
70	31293	THROTTLE CONTROL CABLE	1	
71	31294	SHCS, M8x20	4	
72	10997	WASHER	4	
73	31295	SLEEVE	1	
74	31296	VIBRATION MOUNT	1	
75	31297	VIBRATION MOUNT	2	
76	31298	STOP PLATE	2	
77	31299	NYLON SLEEVE	2	
78	31300	SLEEVE	2	
79	31260	WASHER, LOCK, 16MM	2	
80	31301	HHCS, M16x60	2	
81	31216	HEX NUT, M10	2	
82	14497	HHCS, M10x45	2	
83	11621	WASHER, LOCK, 10MM	1	
84	11802	LOCK NUT, M10	1	

PARTS LIST 5 B2435DR

CONTROL VALVE ASSEMBLY



PARTS LIST 5

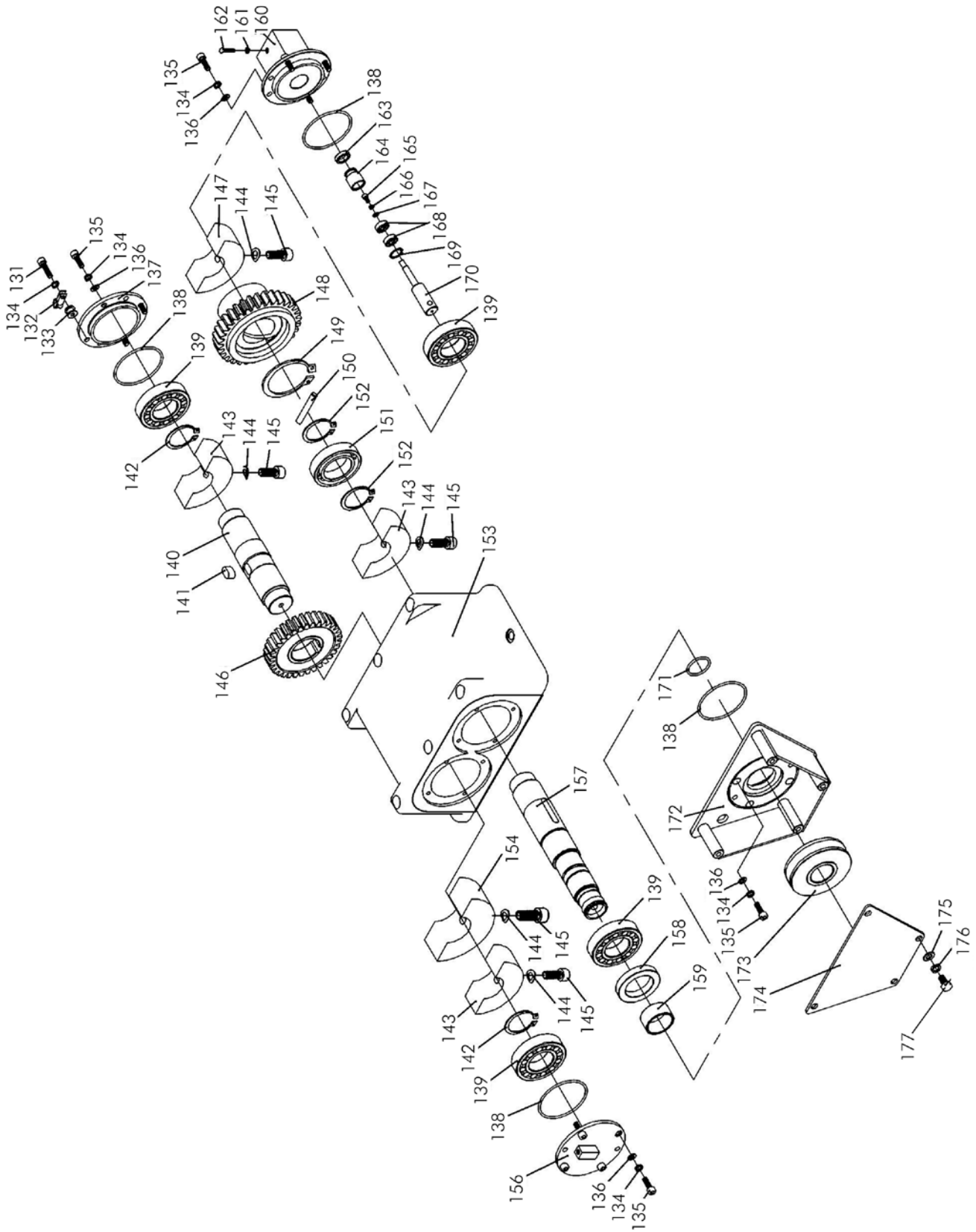
B2435DR

CONTROL VALVE ASSEMBLY

ITEM NO.	PART #	DESCRIPTION	QTY.	REMARK
36	14986	SHCS,M8x30	4	
37	11614	WASHER, LOCK, 8MM	8	
38	31302	HANDLE	2	
39	31303	SLEEVE	2	
40	31304	VIBRATION MOUNT	2	
41	10176	SHCS, M12x35	2	
42	10735	WASHER, LOCK, 12MM	2	
43	31305	MOUNTING PLATE	2	
44	11769	SHCS, M8x6	4	
45	31306	NYLON WASHER	2	
46	31307	SLEEVE	2	
47	31247	ORING, 26x2.65	4	
48	31248	ORING, 38.7x2.65	2	
49	31308	GEAR SHAFT	1	
50	31357	HYDRAULIC HOUSING	1	
51	31309	HEX PIPE PLUG	1	
52	31310	GASKET	1	
53	31311	SLEEVE	1	
54	31312	SPRING, OUTER	1	
55	31313	SPRING, INNER	1	
56	31314	RIVET, 6x6	2	
57	31315	SCREW, M6x8	1	
58	31316	GEAR RACK	1	
59	31317	PISTON	1	
60	14985	SHCS, M12x30	1	
61	31318	PACKING	1	
62	31319	ORING, 60x3-1	1	
63	31320	SEAL PLATE	1	
64	14986	SHCS, M8x30	4	

PARTS LIST 6 B2435DR

EXCITER ASSEMBLY



PARTS LIST 6

B2435DR

EXCITER ASSEMBLY

ITEM NO.	PART #	DESCRIPTION	QTY.	REMARK
131	11028	SHCS, M6x30	1	
132	31321	CLAMP	1	
133	31322	WASHER	1	
134	11620	WASHER, LOCK, 6MM	16	
135	60731	SHCS, M6x20	16	
136	14447	WASHER, FLAT, 6MM	16	
137	31323	BEARING COVER	2	
138	31324	ORING, 90x2.65	4	
139	31325	BEARING	4	
140	31326	DRIVEN SHAFT	1	
141	31327	KEY, 10x32	1	
142	31328	RETAINING RING, 50MM	2	
143	31329	ECCENTRIC WEIGHT	2	
144	31330	WASHER, LOCK, 16MM	5	
145	11842	SHCS, M16x40	4	
146	31331	DRIVEN GEAR	1	
147	31332	ECCENTRIC WEIGHT	2	
148	31333	GEAR	1	
149	31334	RETAINING RING, 100MM	1	
150	31335	PIN	1	
151	31355	BEARING	1	
152	31336	RETAINING RING, 52MM	2	
153	31337	VIBRATION BOX	1	
154	31338	ECCENTRIC WEIGHT	1	
155	11843	SHCS, M16x60	1	
156	31339	COVER	1	
157	31340	SHAFT	1	
158	31341	LIP SEAL	1	
159	31342	INNER BEARING	1	
160	31343	CYLINDER COVER	1	

PARTS LIST 6

B2435DR

EXCITER ASSEMBLY - cont.

ITEM NO.	PART #	DESCRIPTION	4QTY.	REMARK
161	31344	GASKET	1	
162	11618	HHCS, M6x12	1	
163	31345	GASKET, RUBBER	1	
164	31346	CONNECTING SLEEVE	1	
165	80054	SHCS, M5x12	1	
166	11844	WASHER, LOCK, 5MM	1	
167	30846	WASHER, FLAT, 5MM	1	
168	31356	BEARING	2	
169	31347	RETAINING RING, 25MM	1	
170	31348	DRIVE SHAFT	1	
171	31349	ORING, 36x2.65	1	
172	31350	BELT GUARD	1	
173	31351	PULLEY	1	
174	31352	COVER PLATE	1	
175	11667	WASHER, FLAT, 8MM	4	
176	11614	WASHER, LOCK, 8MM	4	
177	11515	HHCS, 8x16	4	

THIS PAGE INTENTIONALLY LEFT BLANK

PARTS LIST 4 B1728R

LABELS



ITEM NO.	PART NO.	DESCRIPTION	QTY.	REMARK
A	PC230	WARNING LABEL - HOT BESIDE	1	
B	PC231	WARNING LABEL - HOT BELOW	1	
C	PC140	DANGER LABEL - GENERAL	1	
D	PC110	WARNING LABEL - PPE	1	
E	PC400	WARNING LABEL - FINGER HAZARD	1	
F	109dB	NOTICE LABEL - NOISE	1	
G	PC220	INSTRUCTION LABEL - THROTTLE	1	
H	PC200	INSTRUCTION LABEL - LIFT POINT	1	
J	PC221	INSTRUCTION LABEL - THROTTLE	1	
K	PC211	CAUTION LABEL - READ INSTRUCTIONS	1	

THIS PAGE INTENTIONALLY LEFT BLANK



BARTELL MORRISON INC.

375 Annagem Blvd.
Mississauga, Ontario, Canada
L5T3A7

Toll Free: 866-501-1683

Local: 905-364-4200

Fax: 905-364-4202

www.bartellmorrison.com

BARTELL MORRISON (USA) LLC.

25 Industrial Drive.
Keyport, New Jersey, USA
07735

Toll Free: 888-999-1570

Local: 732-566-5400

Fax: 732-566-5444

www.bmiaamerica.com

