

REVERSIBLE HYDRAULIC PLATE COMPACTORS

BR2750





www.BartellGlobal.com

CANADA

170 Traders Blvd E
Mississauga, Ontario L4Z 1W7
TEL (647) 953-4100 FAX (647) 953-4101

KENTUCKY

4701 Allmond Ave
Louisville, Kentucky 40209
TEL (425) 405-9100 FAX (425) 405-9101

UK

Honeyholes Lane
Dunholme, Lincoln, UK LN2 3SU
TEL 01673 860709 FAX 01673 861119

NEW JERSEY

200 Commerce Drive, Unit A
Freehold, New Jersey 07728
TEL (848) 225-8100 FAX (848) 225-8101

**ORIGINAL LANGUAGE OPERATING MANUAL FOR
BARTELL RIDE-ON TROWELS**

© 2022 Bartell Global Inc.

No part of this work may be reproduced or transmitted in any form or by any means, electronic or mechanical, including photocopying and recording, or by any information storage or retrieval system without the prior written permission of Bartell Morrison Inc. unless such copying is permitted by federal copyright laws.

ADDRESS INQUIRIES OR REFERENCE PERMISSIONS CARE OF:

Bartell Global, 170 Traders Blvd E., Mississauga, Ontario, Canada,
L4Z 1W7

REV.	DATE	DESCRIPTION	APPROVED BY:
00	10/2013	Initial release	AL
01	01/2014	Cover photo updated	AL
02	02/2014	Part number updated	AL
03	06/2014	Updated Address	AL
04	07/2014	Cover page updated	AL
05	07/2017	Address updated; Format updated	AN
06	10/2017	Added wheel kit parts list	AN
07	06/2018	Added sub-assembly kits to parts lists 2, 3 and 5	AN
08	12/2019	Updated Part Numbers	AN
09		Added Rocker Switch	AN
10	06/2023	Updated part numbers	AN

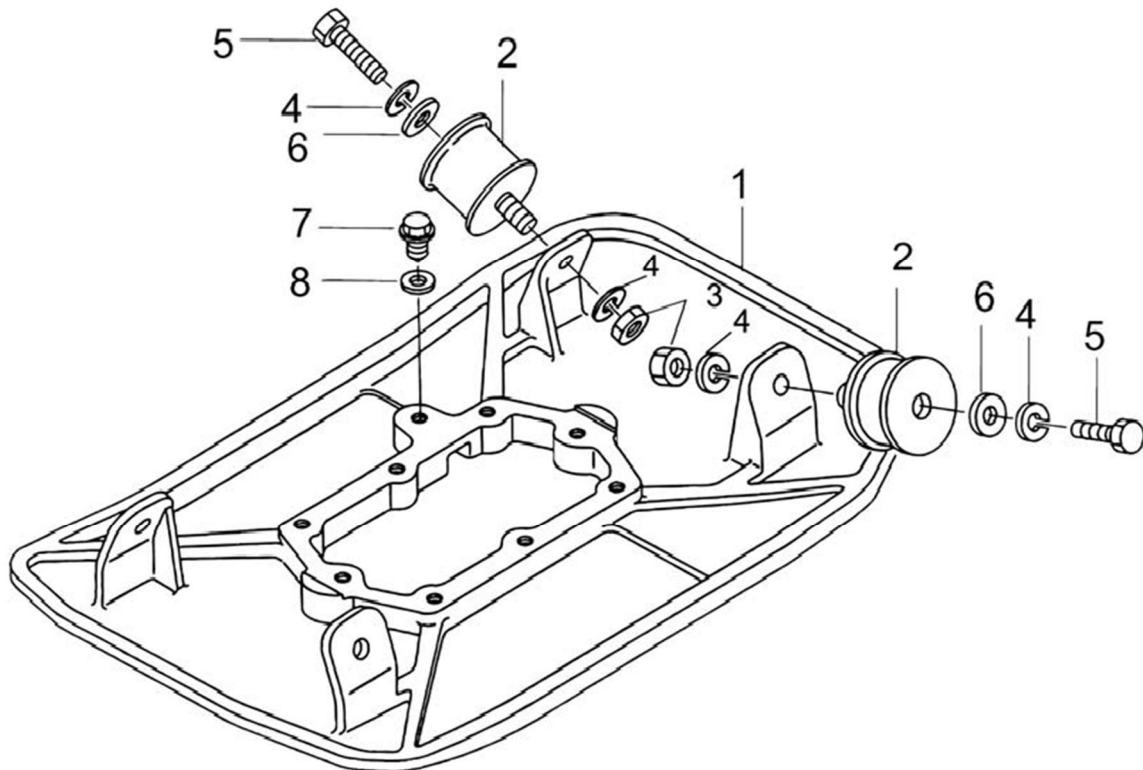


TABLE OF CONTENTS

<u>PARTS LIST 1 – REVERSIBLE HYDRAULIC PLATE COMPACTORS</u>	4
VIBRATING PLATE: BR2750	4
VIBRATING PLATE: BR2750 – PARTS LIST 1	4
<u>PARTS LIST 2 – REVERSIBLE HYDRAULIC PLATE COMPACTORS</u>	6
BODY: BR2750	6
BODY: BR2750 – PARTS LIST 2	7
<u>PARTS LIST 3 – REVERSIBLE HYDRAULIC PLATE COMPACTORS</u>	10
VIBRATOR: BR2750	10
VIBRATOR: BR2750 – PARTS LIST 3	11
<u>PARTS LIST 4 – REVERSIBLE HYDRAULIC PLATE COMPACTORS</u>	14
CONTROL: BR2750	14
CONTROL: BR2750 – PARTS LIST 4	15
<u>PARTS LIST 5 – REVERSIBLE HYDRAULIC PLATE COMPACTORS</u>	16
HAND PUMP: BR2750	16
HAND PUMP ASSEMBLY: BR2750 – PARTS LIST 5	17
<u>PARTS LIST 6 – REVERSIBLE HYDRAULIC PLATE COMPACTORS</u>	18
WHEELS: BR2750	18
WHEELS: BR2750 – PARTS LIST 6	18

PARTS LIST 1 – REVERSIBLE HYDRAULIC PLATE COMPACTORS

VIBRATING PLATE: BR2750



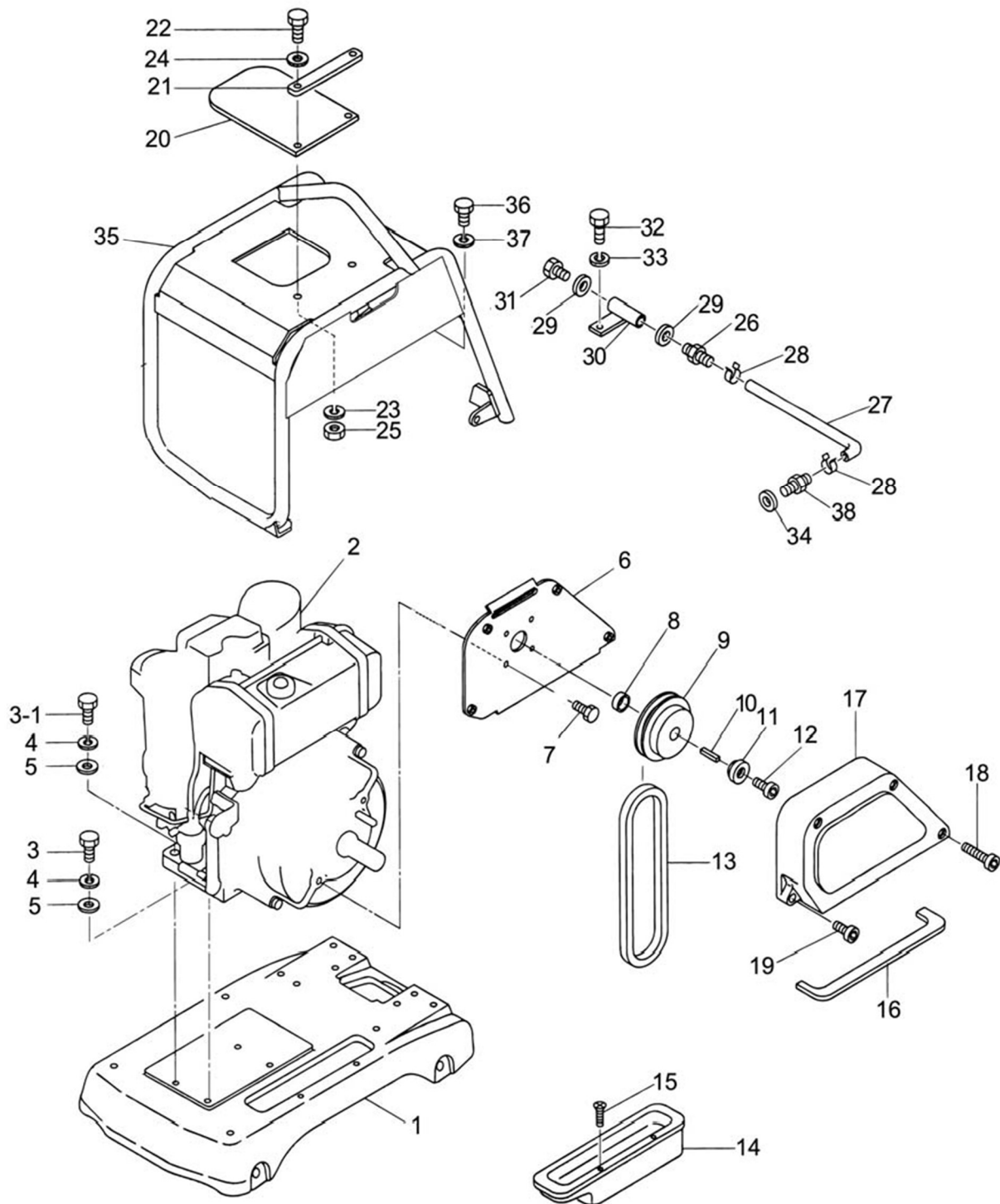
VIBRATING PLATE: BR2750 – PARTS LIST 1

Item #	Part #	Description	QTY	Remarks
1	65CPC-160-1A	VIBRATING PLATE	1	
2	651033	RUBBER MOUNT, SHOCK ABSORBER	4	
3	10730	NUT, M12 x 1.75	4	
4	10735	LOCKWASHER, M12	8	
5	31180	HHCS, M12-1.75 x 30MM	4	
6	10993	WASHER, M12	4	
7	651060	OIL PLUG M16x1.5	1	
8	651061	OIL PLUG SEAL, M16	1	

This Page Left Intentionally Blank

PARTS LIST 2 – REVERSIBLE HYDRAULIC PLATE COMPACTORS

BODY: BR2750



**BODY: BR2750 – PARTS LIST 2**

Item #	Part #	Description	QTY	Remarks
1	65CPC-160-1B	BASE	1	
2	21417	HONDA, GX200	1	
3	11924	HHCS, M10-1.5 X 40MM	3	
3-1	10077	HHCS, M10-1.5 x 35MM	1	
4	11621	LOCKWASHER, M10	4	
5	41516	WASHER, M10	4	
6	65CPC-160-6B	BELT COVER PLATE	1	
7	30041	FHSCS, 5/16-24 x 3/4"	4	
8	11499	SPACER	1	
9	30202	CLUTCH ASSEMBLY	1	
10	10208	KEY 5x5x30	1	
11	30042	CLUTCH WASHER	1	
12	30041	FHSCS, 5/16-24 x 3/4"	1	
13	30195	V-BELT, AX34	1	
14	65CPC-160-14B	DUST COVER	1	
15	50621	FHSCS M6-1.0 x 25MM	2	
16	65CPC-160-16B	SPONGE, DUST COVER	1	
17	65CPC-160-17B	BELT COVER OUT	1	
18	31105	SHCS, M8-1.25 x 60MM LG.	3	
19	14986	SHCS, M8-1.25 x 30MM LG.	1	
20	651176	RUBBER COVER	1	
21		PLATE, RUBBER COVER	1	
22	11619	HHCS, M8-1.25x25MM	2	
23	11614	LOCKWASHER, M8	2	
24	11667	WASHER, M8	2	
25	11617	NYLON NUT M8	2	
26	65CPC-160-26B	UNION	1	Kit 651178 Only
27	65CPC-160-27B	DRAIN HOSE	1	Kit 651178 Only
28	65CPC-160-28B	HOSE CLAMP	2	Kit 651178 Only
29	65CPC-160-29B	GASKET	2	Kit 651178 Only
30	65CPC-160-30B	PLUG	1	Kit 651178 Only
31	65CPC-160-31B	JOINT BLOCK	1	Kit 651178 Only
32	10999	HHCS, M8-1.25 x 20MM	1	Individual or Kit 651178
		Parts list 2 continued next page		

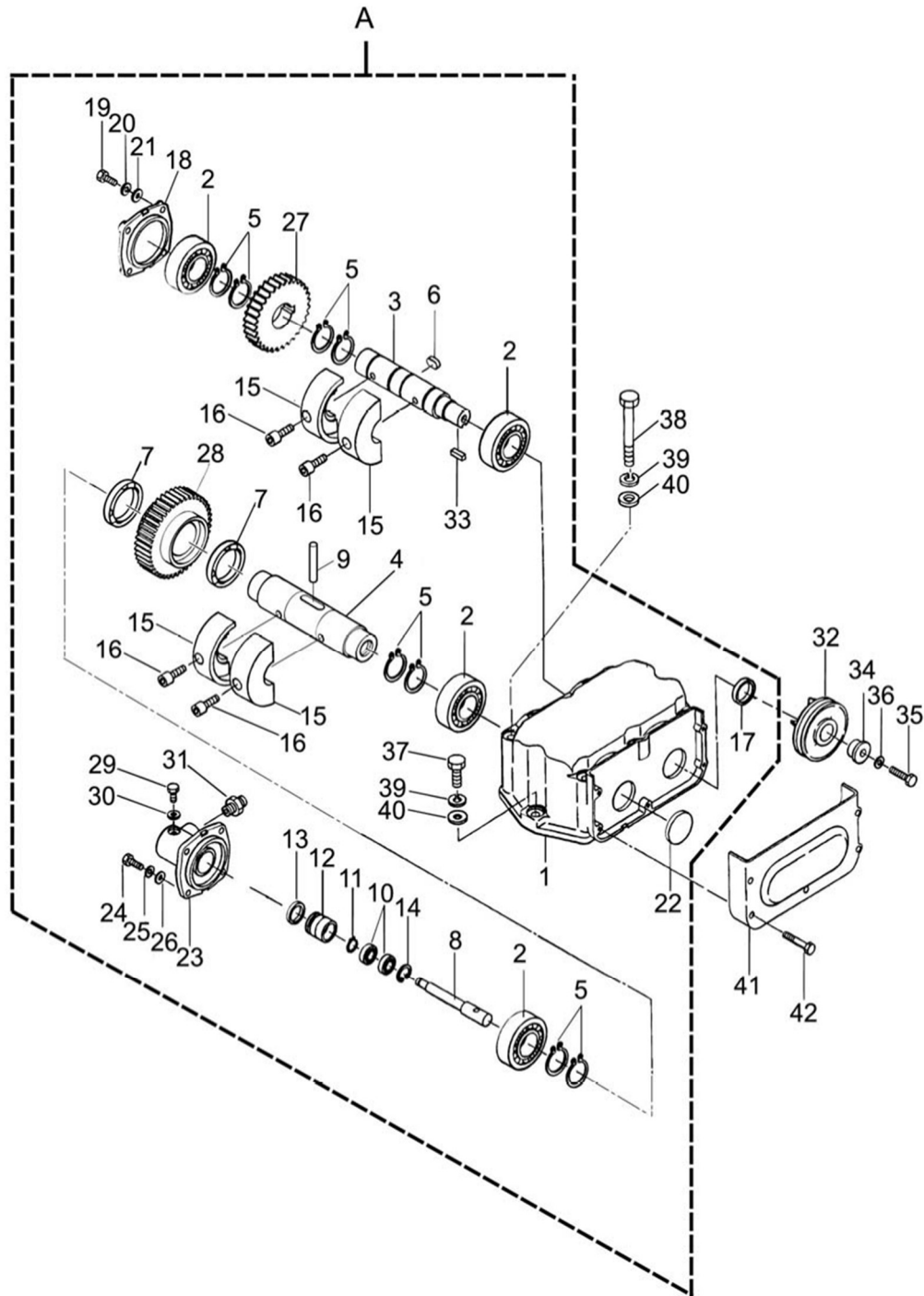


Parts list 2 continued				
33	11614	LOCKWASHER, M8	1	Individual or Kit 651178
34	65CPC-160-34B	SEAL WASHER	1	Kit 651178 Only
35	65CPC-160-35B	GUARD FRAME	1	
36	13348	HHCS, M10-1.5 x 25MM	4	
37	11621	LOCKWASHER, M10	4	
	651166	ROLLER ASSEMBLY (NOT SHOWN)	1	
26-34	651178	OIL DRAIN HOSE ASSEMBLY INCL. #26,27,28,29,30,31,32,33,34	1	

This Page Left Intentionally Blank

PARTS LIST 3 – REVERSIBLE HYDRAULIC PLATE COMPACTORS

VIBRATOR: BR2750



**VIBRATOR: BR2750 – PARTS LIST 3**

Item #	Part #	Description	QTY	Remarks
A	651021	VIBRATOR ASSEMBLY	1	
1	65CPC-160-1C	VIBRATING CASE	1	
2	24240	ROLLER BEARING, NJ307E	4	
3	65CPC-160-3C	ROTARY SHAFT, DRIVE	1	Kit 651183 Only
4	65CPC-160-4C	ROTARY SHAFT, DRIVEN	1	Kit 651182 Only
5	31373	STOP RING S-35	8	Individual or in Kits 651182, 651183
6	651220	KEY 10x8x19	1	Individual or in Kit 651183
7	24241	BEARING 6907	2	Individual or in Kit 651182
8	65CPC-160-8C	PISTON ROD	1	Kit 651184 Only
9	651204	PIN 8x50	1	Individual or in Kit 651184
10	24242	BEARING 6000ZZ	2	Individual or in Kit 651184
11	60083	STOP RING S-10	1	Individual or in Kit 651184
12	651151	PISTON, 22.4ID	1	Kit 651184 Only
13	651074	EXCITER PISTON RING	1	Individual or in Kit 651184
14	651202	STOP RING R-26	1	Individual or in Kit 651184
15	65CPC-160-15C	ECCENTRIC WEIGHT	4	Kit 651182 or 651183 Only
16	14985	SHCS, M10-1.50 x 30MM	4	Individual or in Kits 651182 or 651183
17	651147	OIL SEAL SC-28458	1	
18	65CPC-160-18C	BEARING COVER	1	
19	10999	HHCS, M8-1.25 x 20MM	4	
20	11614	LOCKWASHER, M8	4	
21	11667	WASHER, M8	4	
22	651152	SEAL CAP	1	
23	651149	CYLINDER	1	
24	10999	HHCS, M8-1.25 x 20MM	4	
25	11614	LOCKWASHER, M8	4	
26	11667	WASHER, M8	4	
27	65CPC-160-27C	GEAR (DRIVE)	1	Kit 651183 Only
28	65CPC-160-28C	GEAR (DRIVEN)	1	Kit 651182 Only
29	651081	HYD BOLT, M8-1.25 x 12MM	1	
		Parts list 3 continued next page		

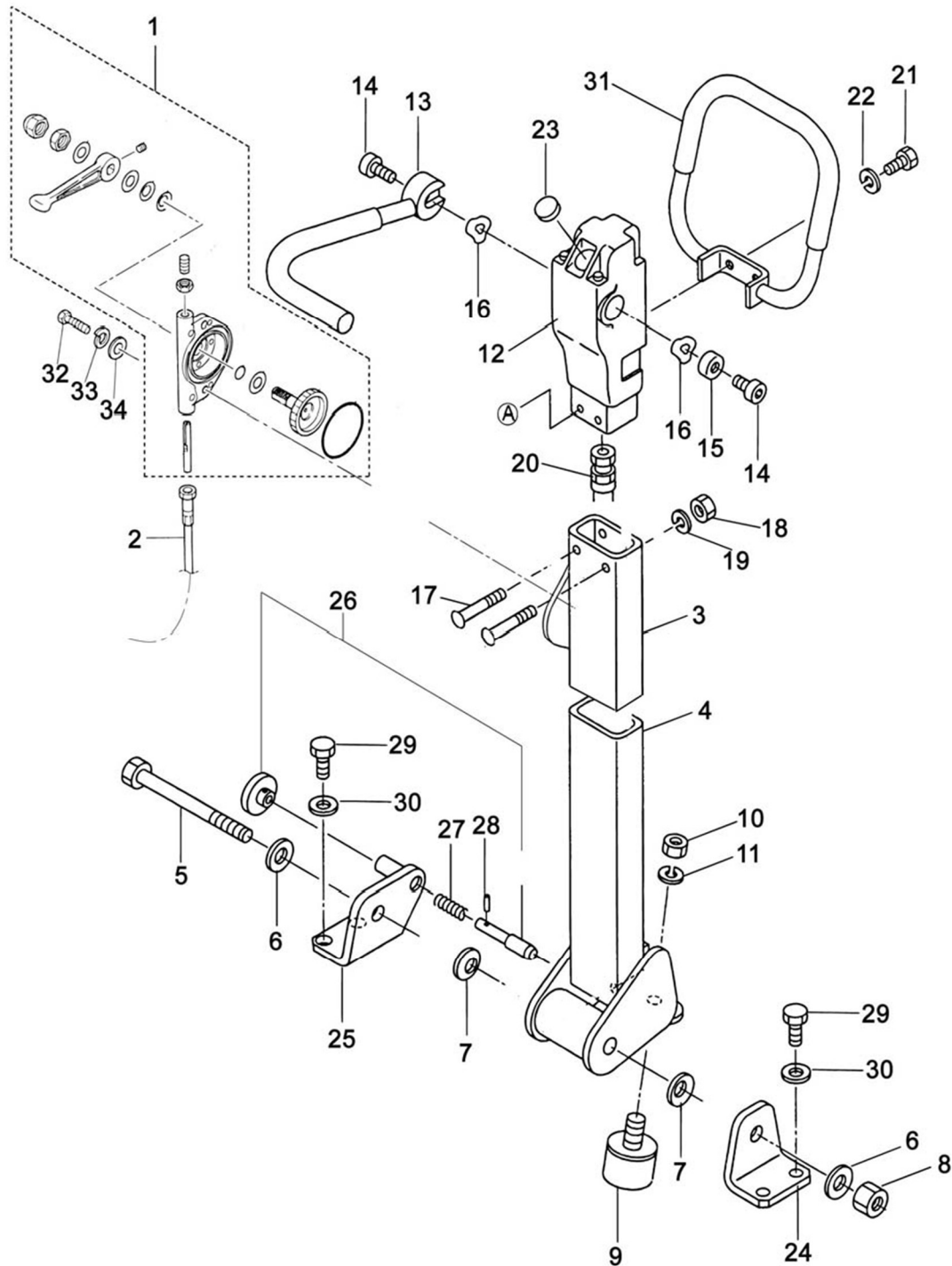


Parts list 3 continued				
30	651080	COPPER PACKING 8x16x2	1	
31	65CPC-160-31C	HYDRAULIC FITTING	1	
32	651116	PULLEY, 3.5"	1	
33	651094	KEY 8x7x20	1	
34	651165	WASHER, RETAINER	1	
35	10155	HHCS, M8-1.25 x 35MM	1	
36	11614	LOCKWASHER, M8	1	
37	10881	HHCS, M12x1.75 x 35mm	2	
38	10714	HHCS, M12x1.75 x 120mm	6	
39	10735	LOCKWASHER, M12	8	
40	10	WASHER, M12	8	
41	65CPC-160-41C	BELT COVER (LOWER)	1	
42	18550	SOCKET HEAD BOLT M6x45T	5	
	651182	DRIVEN SHAFT ASSEMBLY INCL. #4,5,7,15,16,28	1	
	651183	DRIVE SHAFT ASSEMBLY INCL. #3,5,6,15,16,27	1	
	651184	PULLEY ASSEMBLY INCL. #8,9,10,11,12,13,14	1	

This Page Left Intentionally Blank

PARTS LIST 4 – REVERSIBLE HYDRAULIC PLATE COMPACTORS

CONTROL: BR2750

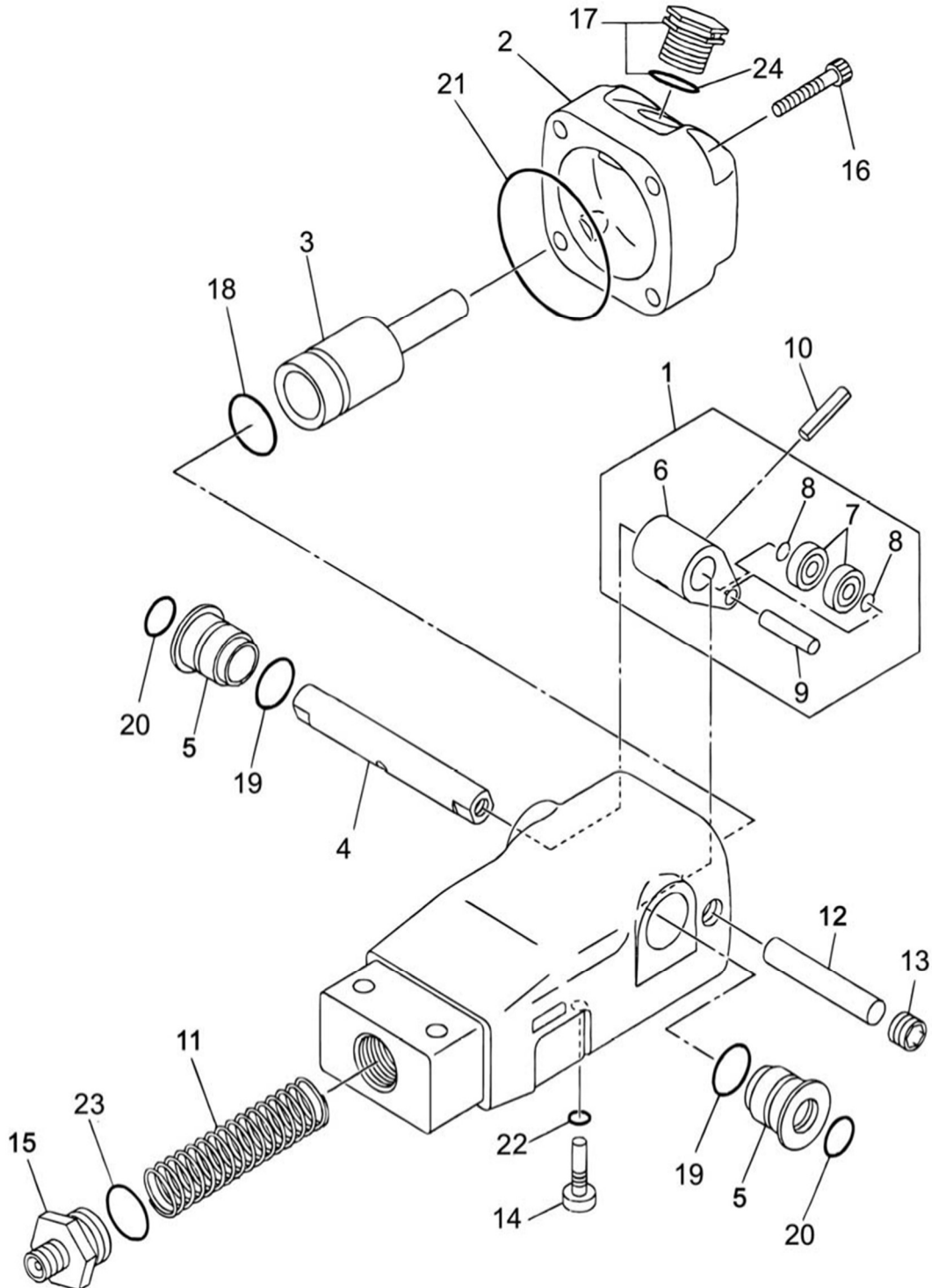


**CONTROL: BR2750 – PARTS LIST 4**

Item #	Part #	Description	QTY	Remarks
1	651050	THROTTLE LEVER ASSEMBLY	1	
2				
3	651245	HANDLE UPPER ASSEMBLY	1	
4	651245	HANDLE LOWER ASSEMBLY	1	
5	65CPC-160-5D	BOLT M16x145T	1	
6	651073	WASHER, M16	2	
7	65CPC-60-7D	SPRING WASHER M16	2	
8	60138	LOCKNUT, M16	2	
9	651037	SHOCK ABSORBER, STOPPER	1	
10	11622	HEX NUT, M10-1.5	1	
11	11621	LOCKWASHER, M10	1	
12	651040	HAND PUMP ASSEMBLY	1	
13	651141	TRAVEL LEVER	1	
14	30282	SOCKET HEAD BOLT M10x20T	2	
15	651247	COLLAR	1	
16	651223	WAVE WASHER 15.5x20x0.3	4	
17	10453	HHCS, M8-1.25 x 50MM	2	
18	11617	LOCKNUT, M8x1.25	2	
19	11614	LOCKWASHER, M8	2	
20	65CPC-160-20D	OIL HOSE	1	
21	10999	HHCS, M8-1.25 x 20MM	2	
22	11614	LOCKWASHER, M8	2	
23	651205	BREATHER CAP	1	
24	651213	HANDLE BRACKET (L)	1	
25	651214	HANDLE BRACKET (R)	1	
26	651144	LOCK, HANDLE ASSY	1	
27	651145	SPRING, LOCKING	1	
28	651146	SPRING PIN M2x16	1	
29	14989	HHCS, M10-1.5 x 30MM	4	
30	11621	LOCKWASHER, M10	4	
31	651142	HANDLE GRIP	1	
32	30281	HHCS, M6-1.0 x 25MM	2	
33	14448	LOCKWASHER, M6	2	
34	14447	WASHER, M6	2	
-	651035	ON/OFF SWITCH	1	(NOT SHOWN)

PARTS LIST 5 – REVERSIBLE HYDRAULIC PLATE COMPACTORS

HAND PUMP: BR2750



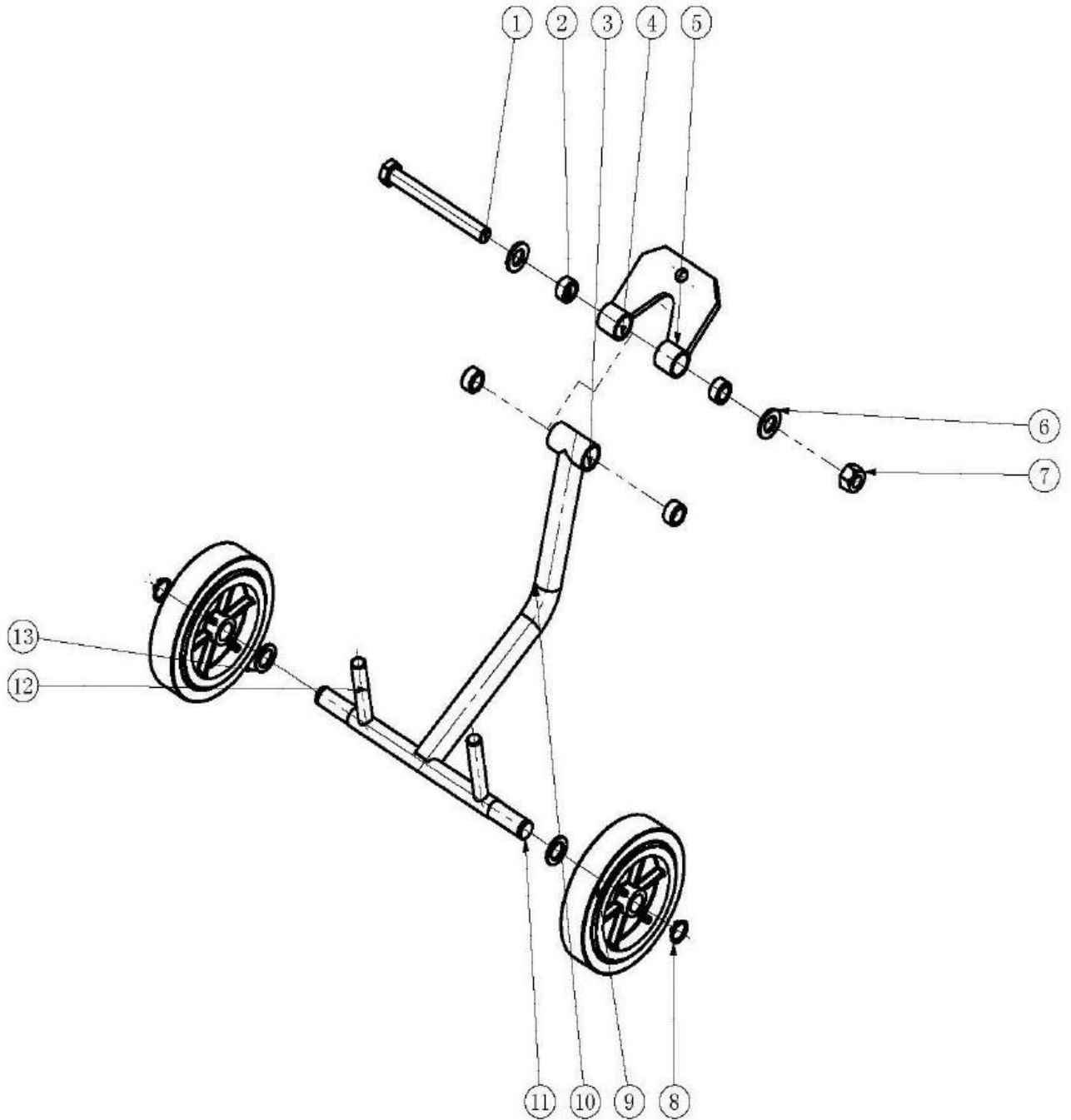


HAND PUMP ASSEMBLY: BR2750 – PARTS LIST 5

Item #	Part #	Description	QTY	Remarks
1	651130	CAM ASSEM (PUMP) INCL. #6,7,8,9	1	
2	65CPC-160-2E	COVER (HAND PUMP)	1	
3	651181	PISTON HAND PUMP	1	
4	651131	CONTROL SHAFT (PUMP)	1	
5	651209	BUSHING	2	
6	65CPC-160-6E	CAN (PUMP)	1	Kit 651130 Only
7	65CPC-160-7E	BEARING 607ZZ	2	Kit 651130 Only
8	65CPC-160-8E	SPACER	2	Kit 651130 Only
9	65CPC-160-9E	PIN M7 x 30MM	1	Kit 651130 Only
10	651132	PIN M6 X 26MM	1	
11	65CPC-160-11E	SPRING (PUMP)	1	
12	65CPC-160-12E	STOPPER (PUMP)	1	
13	651201	PLUG	1	
14	65CPC-160-14E	STOP PLUG	1	
15	651246	HOSE FITTING	1	
16	31238	SHCS, M6-1.0 X 35MM	4	
17	651205	BREATHER (PUMP)	1	
18	65CPC-160-18E	O-RING G-25	1	Kit 651129 Only
19	65CPC-160-19E	O-RING P-20	2	Kit 651129 Only
20	65CPC-160-20E	O-RING P-15	2	Kit 651129 Only
21	65CPC-160-21E	O-RING S-67	1	Kit 651129 Only
22	65CPC-160-22E	O-RING S-8	1	Kit 651129 Only
23	65CPC-160-23E	O-RING S-22	1	Kit 651129 Only
24	65CPC-160-24E	O-RING P-18	1	Kit 651129 Only
	651129	O-RING KIT INCL. #18,19,20,21,22,23,24	1	

PARTS LIST 6 – REVERSIBLE HYDRAULIC PLATE COMPACTORS

WHEELS: BR2750



**WHEELS: BR2750 – PARTS LIST 6**

Item #	Part #	Description	QTY	Remarks
1	60084	HHCS, M12-1.75 x 125MM	1	
2	65CPC-160-02F	COLLAR	4	
3	65CPC-160-03F	WHEELS FRAME	1	
10			1	
11			1	
12			2	
4	65CPC-160-04F	WHEELS PLATE	2	
5			1	
6	14267	WASHER, M12	2	
7	10956	LOCKNUT, M12-1.75	1	
8	651079	RETAINING RING	2	
9	651085	WHEELS	2	
13	65CPC-160-13F	WASHER DIA 15mm	2	
	651105	WHEEL KIT ASSEMBLY	1	
	651042	RUBBER HOLDER (NOT SHOWN)	1	

CONTRACTOR PROVEN EQUIPMENT SINCE 1946

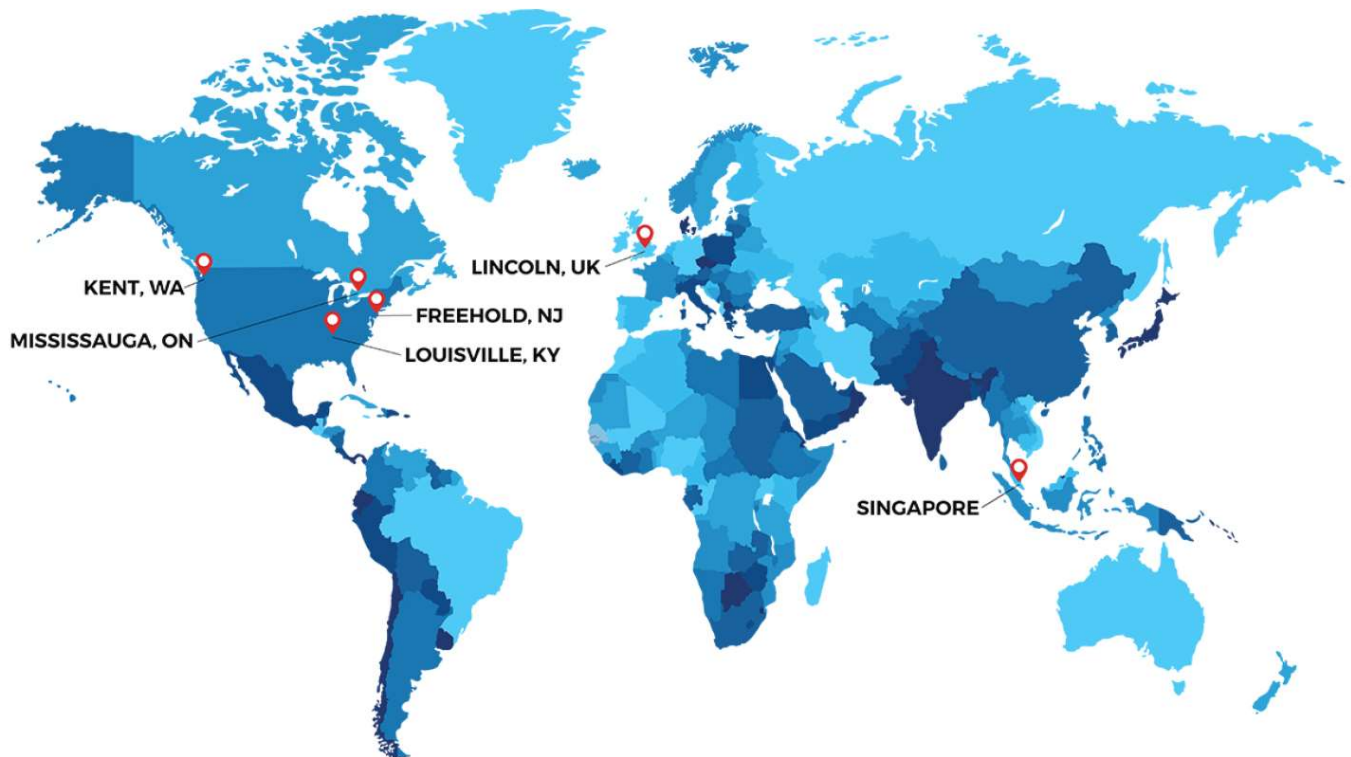


170 Traders Blvd E
Mississauga, ON L4Z 1W7
Canada

4701 Allmond Avenue
Louisville, KY 40209
United States

200 Commerce Drive
Freehold, NJ 07728
United States

Honeyholes Lane
Dunholme, Lincoln LN2 3SU
United Kingdom



BartellGlobal.com