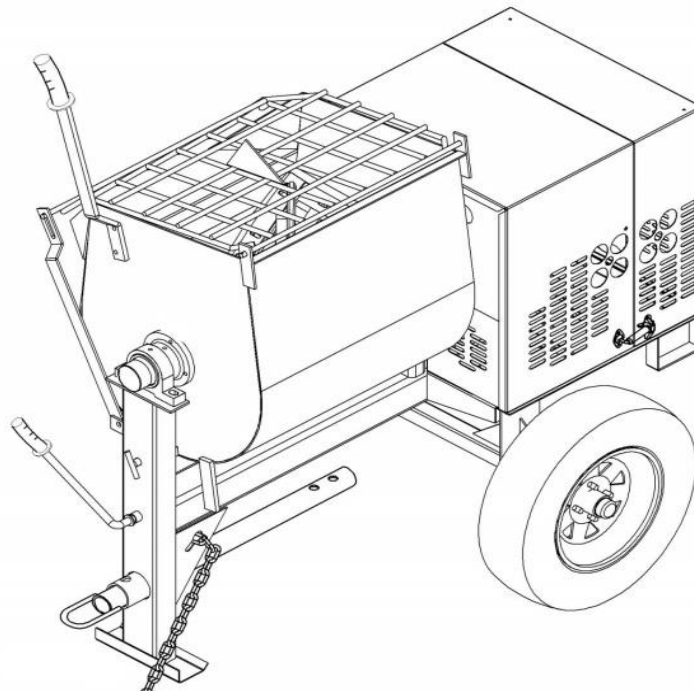




# MORTAR AND PLASTER MIXER

MMH12

## PARTS BOOK



[www.BARTELLGLOBAL.com](http://www.BARTELLGLOBAL.com)

Doc. # PB-B19062  
Orig. Rel. - 12/2021  
Curr Rev. - 00



INTENTIONALLY LEFT BLANK



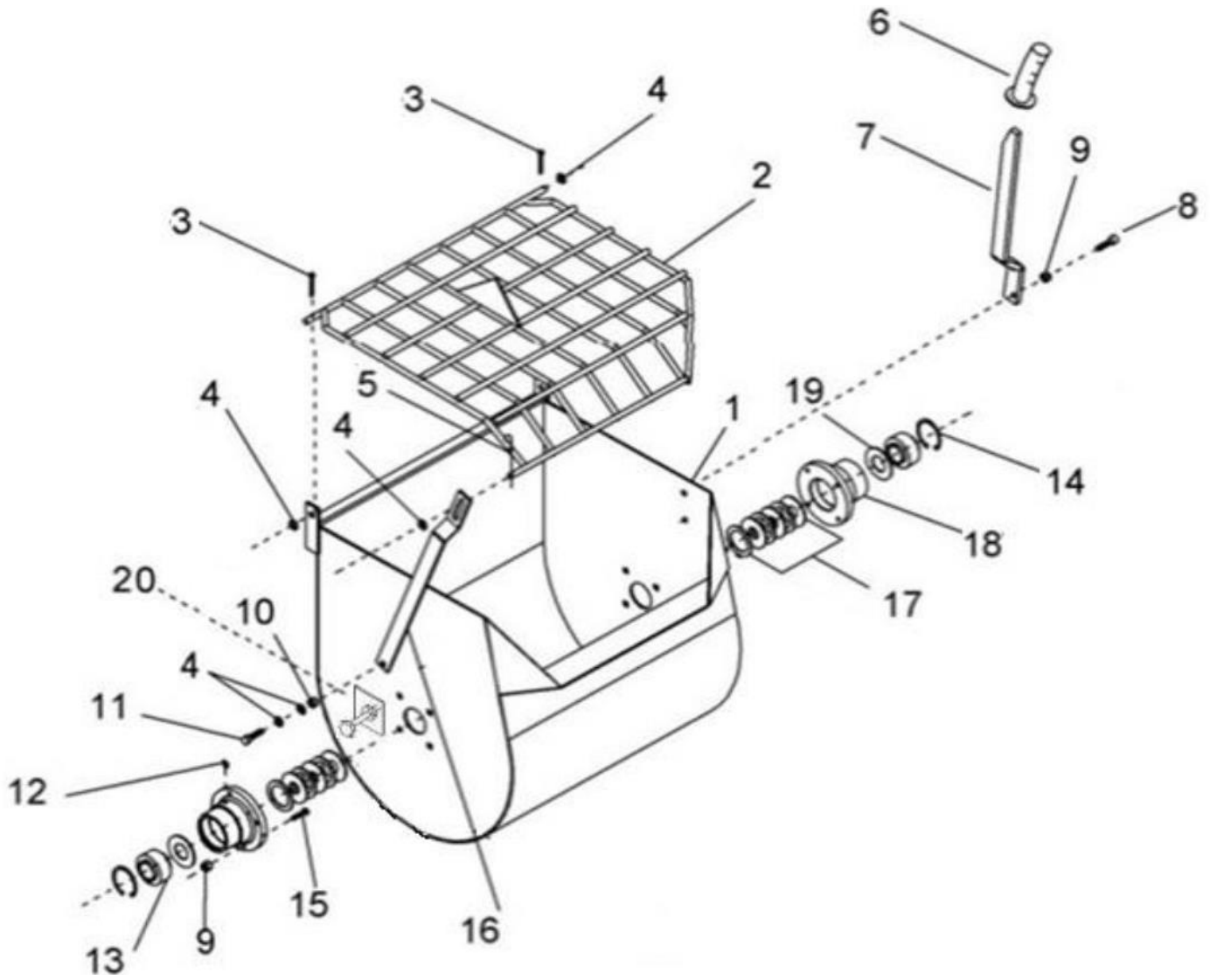
INTENTIONALLY LEFT BLANK



## TABLE OF CONTENTS

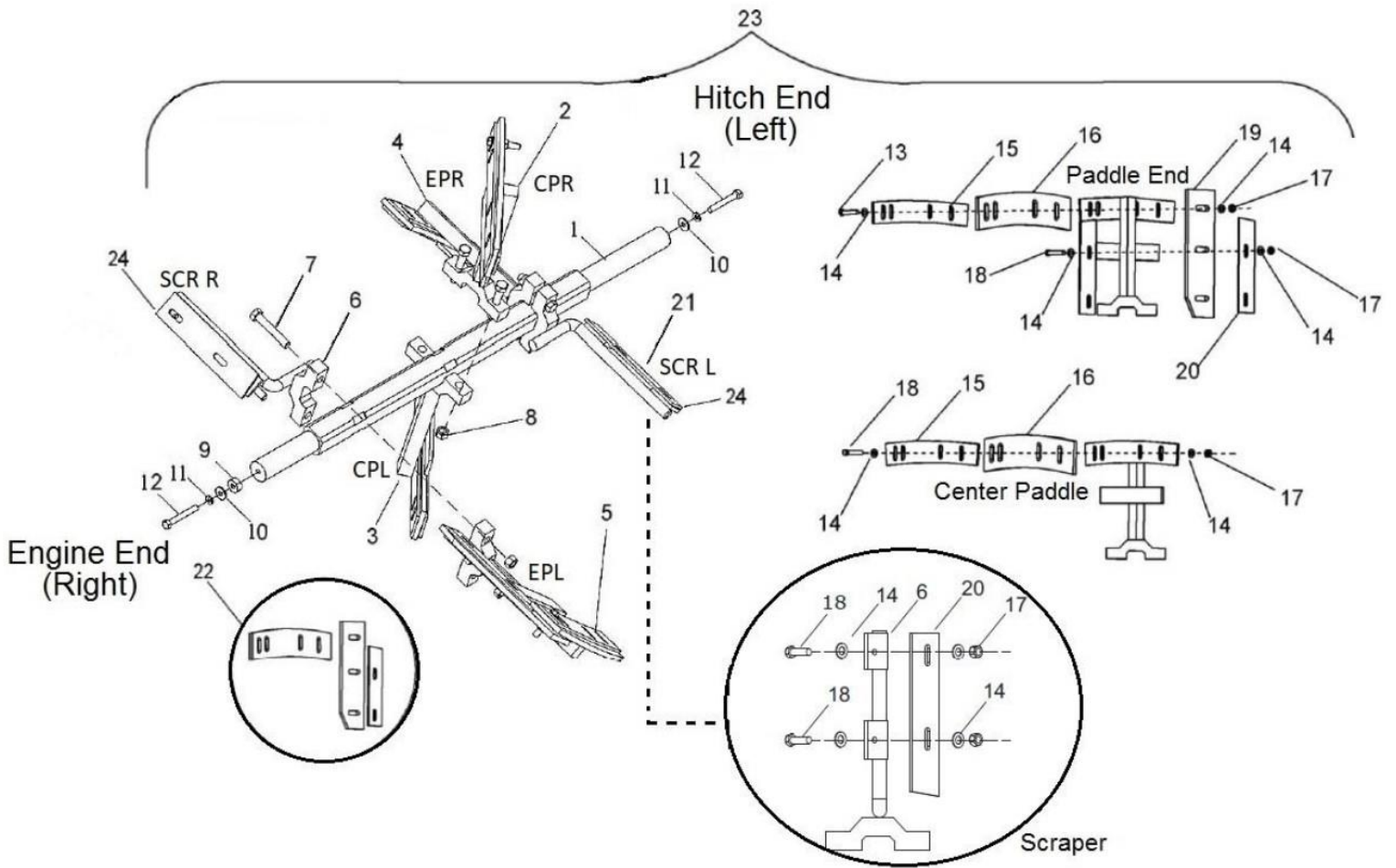
<b><u>PARTS LIST 1: MORTAR MIXER</u></b>	<b>5</b>
PARTS LIST 1: DRUM ASSEMBLY	6
<b><u>PARTS LIST 2: MORTAR MIXER</u></b>	<b>7</b>
PARTS LIST 2: PADDLE ASSEMBLY	8
COMPLETE PADDLE ASSEMBLY	8
<b><u>PARTS LIST 3: MORTAR MIXER</u></b>	<b>9</b>
PARTS LIST 3: FRAME ASSEMBLY	10
<b><u>PARTS LIST 4: MORTAR MIXER</u></b>	<b>11</b>
PARTS LIST 4: HOOD ASSEMBLY	12
<b><u>PARTS LIST 5: MORTAR MIXER</u></b>	<b>13</b>
PARTS LIST 5: DRIVE ASSEMBLY	14
<b><u>PARTS LIST 6: MORTAR MIXER</u></b>	<b>15</b>
PARTS LIST 6: MOTOR/ENGINE ASSEMBLY	16
<b><u>PARTS LIST 7: MORTAR MIXER</u></b>	<b>17</b>
PARTS LIST 7: HYD HOSES & FITTINGS ASSEMBLY	18

**PARTS LIST 1: MORTAR MIXER**



PARTS LIST 1: DRUM ASSEMBLY			
ITEM #	PART #	DESCRIPTION	MMH12
	T700	DRUM ASSEMBLY COMPLETE MMH12 40"	1
1	T711	DRUM MMH12 40"	1
2	T605	DRUM GRID W/ BAG CUTTER MMH12	1
3	T111	GRID PIN COTTER, 3/16" X 2"	2
4	T105	PLAIN WASHER 1/2"	5
5	T110	GRID/HITCH HAIR LOCK PIN 3/16"	3
6	T166-1	DRUM DUMPING HANDLE GRIP	1
7	T168	DRUM DUMPING HANDLE W/ GRIP	1
8	T176	HEX BOLT 3/8" X 1-1/2"	2
9	T114	HEX LOCK NUT 3/8"	8
10	T106	HEX LOCK NUT 1/2"	1
11	T189	HEX BOLT HD 1/2" X 1 3/4"	1
12	T102	DRUM BEARING, GREASE FITTING 45 DEG	2
13	T175	BALL BEARING, 1746208-108	2
14	T177	DRUM TRUNNION RETAINING RING 3"	2
15	T174	CARRIAGE BOLT 3/8" X 1-1/2" GR2 ZP	8
16	T589	MM12 DRUM DUMPING LOCK BAR	1
17	T172	DRUM HUB SEALS KIT (ONE END)	2
18	T173-2	TRUNNION 4 HOLES FOR 3/8" SCREWS	1
19	T169	DRUM HUB STEEL SPACER	2
20	N/A	HEX BOLT HD, 1 X 4-1/2" W/ WELD SUPPORT FOR HYD PISTON	1

## PARTS LIST 2: MORTAR MIXER



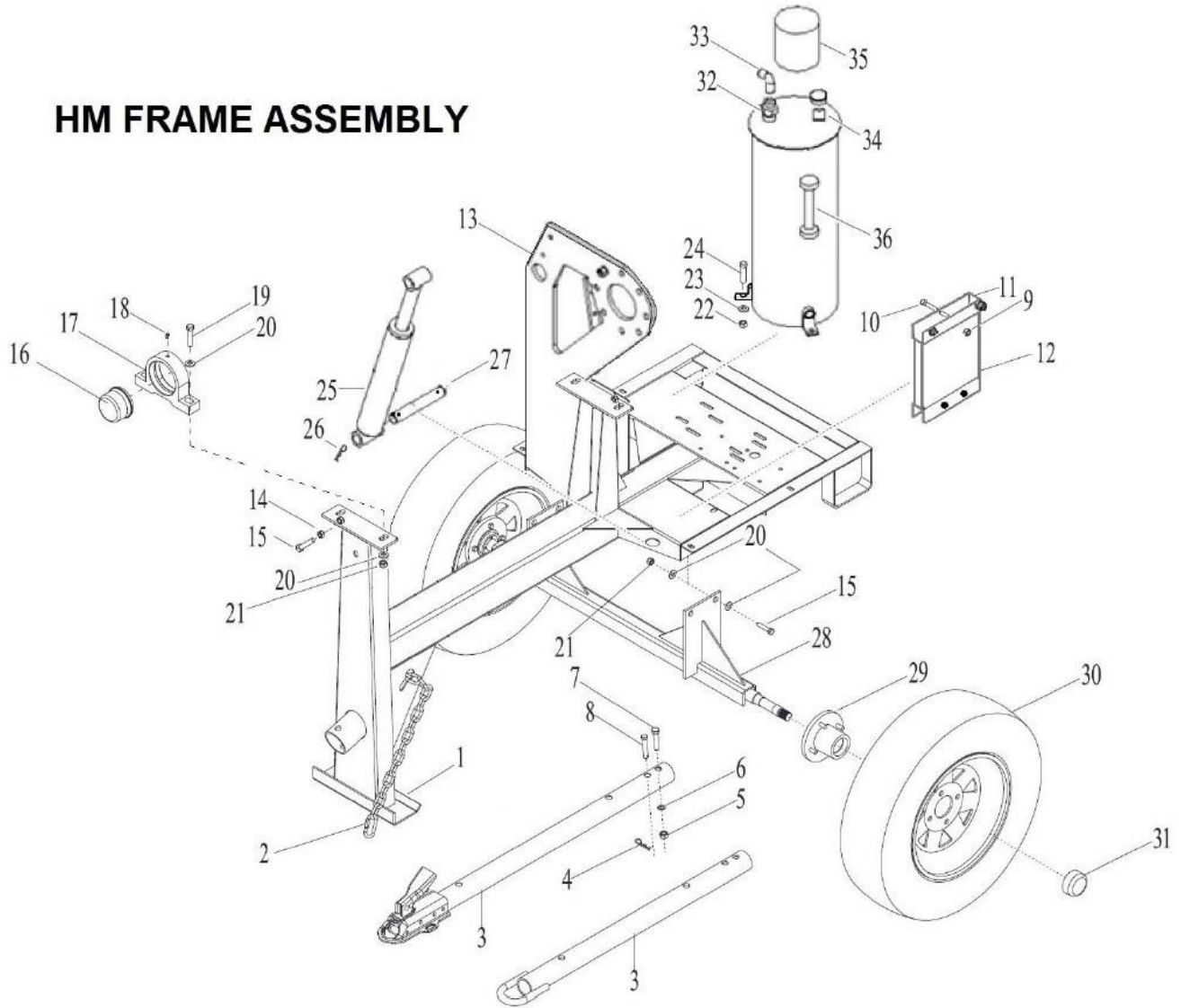


PARTS LIST 2: PADDLE ASSEMBLY			
ITEM #	PART #	DESCRIPTION	MMH12
1	T741	SQUARE MAIN SHAFT 1-3/4" X 52-3/4" MMH12	1
2	T306-2	CENTER PADDLE RIGHT ARM (1" GRIP)	1
3	T308-2	CENTER PADDLE LEFT ARM (1" GRIP)	1
4	T314-2	HITCH END, END PADDLE RIGHT ARM (1" GRIP)	1
5	T309-2	ENGINE END, END PADDLE LEFT ARM (1" GRIP)	1
6	T713	ENGINE END, END SCRAPER LEFT (1" GRIP)	1
7	N/A	HEX BOLT HD 1/2 X 3-1/2 (1" GRIP PADDLES)	6*
8	T106	HEX LOCK NUT 1/2"	6
9	T413	MAIN SHAFT BUSHING	1
13	T145	HEX BOLT HD, GR5 3/8" X 2"	4
14	T112	PLAIN WASHER 3/8"	40
15	T180	CENTER PADDLE RUBBER BLADE	4
16	T181	CENTER PADDLE STEEL BLADE	4
17	T114	HEX LOCK NUT 3/8"	20
18	T176	HEX BOLT 3/8" X 1-1/2"	18
19	T310	END PADDLE SIDE RUBBER BLADE	2
20	T311	END PADDLE SIDE STEEL BLADE	2
21	T714	HITCH END, END SCRAPER RIGHT	1
22	T301	RUBBER BLADE KIT	1

COMPLETE PADDLE ASSEMBLY			
ITEM #	PART #	DESCRIPTION	MMH12
23	T306-H12	COMPLETE PADDLE SET MMH12 (T306-1 + SCRAPERS) (1" GRIP)	1
*	T742	SPIRAL BLADE KIT	1

## PARTS LIST 3: MORTAR MIXER

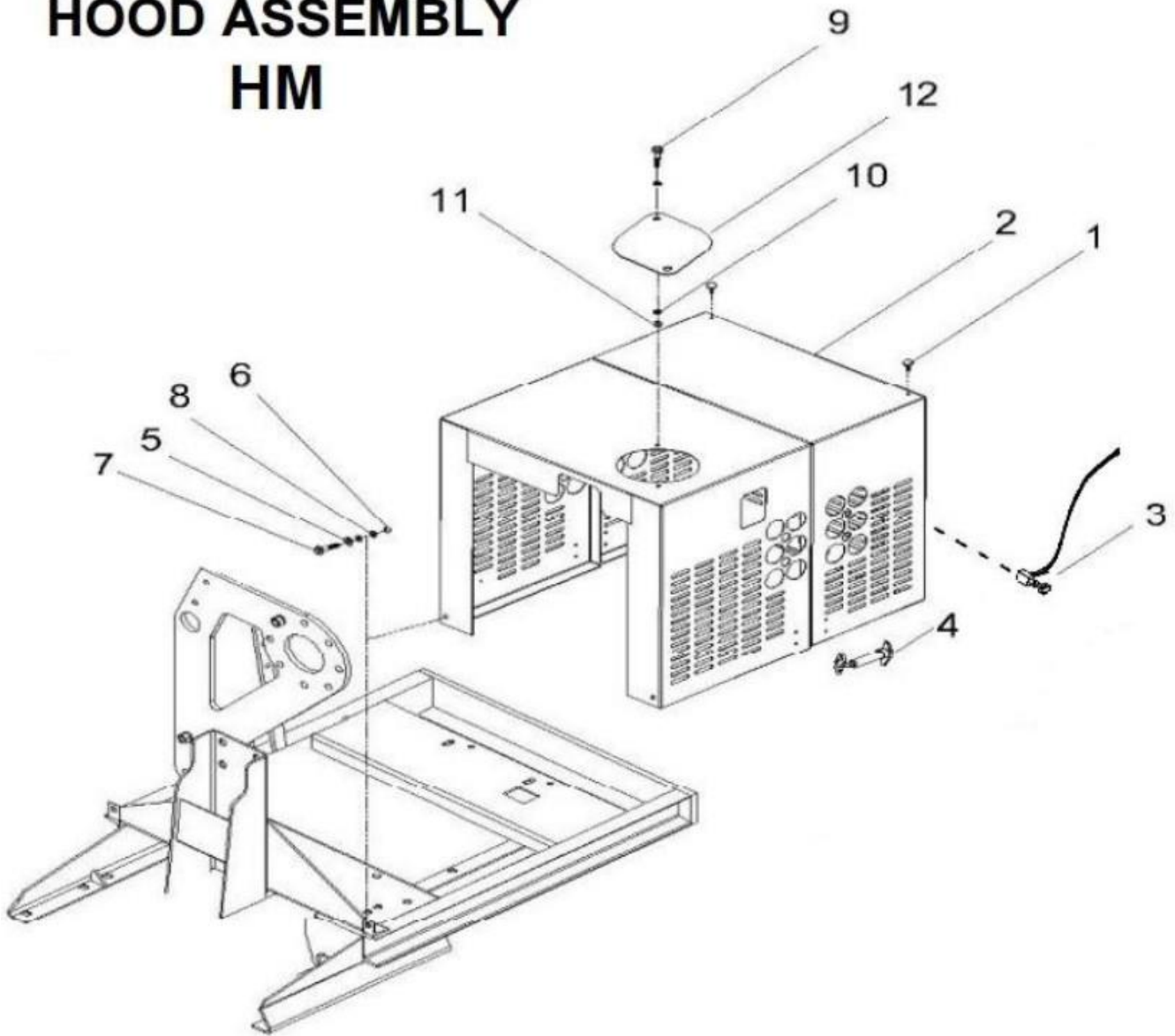
### HM FRAME ASSEMBLY



PARTS LIST 3: FRAME ASSEMBLY			
ITEM #	PART #	DESCRIPTION	MMH12
1	T707H	FRAME MMH12	1
2	T501	5/16 SAFETY CHAIN W/ OVAL SNAPS	1
3	T118-V	PINTLE HITCH VERTICAL HOLE	1
3	T119-V	2" BALL HITCH VERTICAL HOLE	1
3	T119-BD	BULLDOG HITCH T119-BD (VERTICAL HOLE)	1
4	T110	3/6" COTTER PIN CP-85H	1
5	T124-1	TOWING HITCH, HEX NUT, 5/8 NF	1
6	T123-1	TOWING HITCH, SPRING WASHER 5/8"	1
7	T122-1	TOWING HITCH, HEX HEAD SCREW 5/8" X 3-1/2"	1
8	T121-1	TOWING HITCH, LOCK PIN	1
9	T148	HEX LOCK NUT 5/16"	2
10	T201	HEX BOLT HD 5/16" X 3"	2
11	412167	SPACER	4
12	412902	HYDRAULIC OIL COOLER 4FZ0801C-7.5 X 7.5	1
13	412810	ARM, REACTION	1
14	T190	HEX LOCK NUT 1/2"	1
15	T684	ARM, LEVER	1
16	T683	PIN SPR SL STD 5/16 X 1 - 1/2"	2
17	T101	3" DRUM PILLOW BLOCK	2
18	T102	DRUM BEARING, GREASE FITTING 45 DEG	2
19	T104	HEX BOLT HD 1/2" X 2-1/2"	4
20	T105	PLAIN WASHER 1/2"	17
21	T106	HEX LOCK NUT 1/2"	9
22	C138	HEX BOLT 3/8 X 1	3
23	T113	LOCK WASHER 3/8	3
24	T114	HEX LOCK NUT 3/8"	3
25	T722	CYLINDER, HYD 2" X 10"	1
26	135990	PIN, COTTER 3/16 X 1-1/2"	2
27	412855	CYLINDER PIN 1 X 6.5"	1
28	T425	AXLE NO HUBS FOR HYD MIXER	1
28	T-425-1	AXLE WITH HUBS FOR HYDRAULIC MIXER	1
29	T129-1	WHEEL HUB W/ 1" BRG L44643 & DUST CAP	2
30	T137	WHEEL & TIRE ASSY 165-80 R13"	2
31	T136-1	HIGH SPEED WHEELS HUB, DUST CAP (NEW STYLE)	2
32	412948	HYD TANK FITTING	1
33	412919	ADAPTER 90° #8JICFEM/#8JIC ML	1
34		BREATHER FILTER-BF-12P-5 10MIC	1
35	HF6056	HYD FILTER (OPTIONAL)	1
36	485115	SCREEN, SUCTION - 100 MESH 1" NPT	1
37	412801	RESERVOIR OIL ASSEMBLY (4 GALLONS)	1

**PARTS LIST 4: MORTAR MIXER**

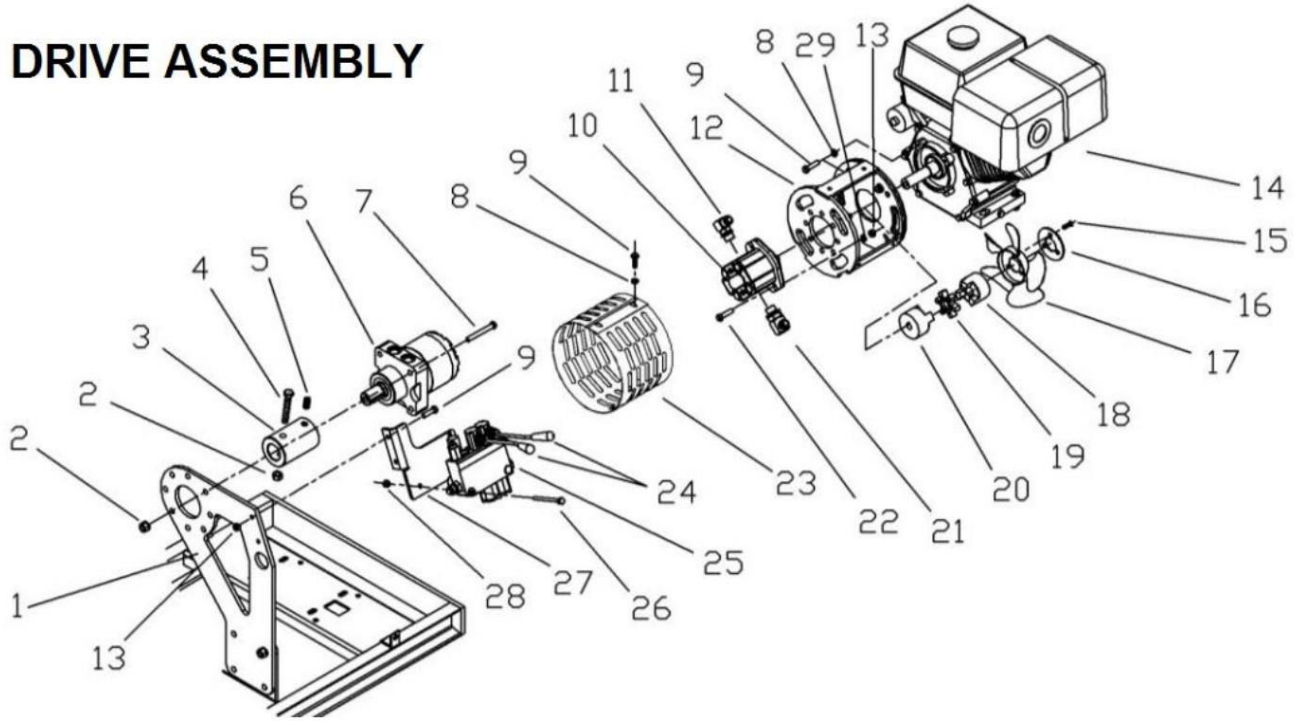
**HOOD ASSEMBLY  
HM**



PARTS LIST 4: HOOD ASSEMBLY			
ITEM #	PART #	DESCRIPTION	MMH12
1	T158	RUBBER SCREW 1/4" FOR SHROUD	4
2	T686	SQUARE SHROUD ASSEY COMPLETE	1
3	T193	ENGINE KILL SWITCH ASSEY RED (WITH HARNESS)	1
3	T195-1	ENGINE N.O KILL SWITCH RED (NO HARNESS)	1
4	T160	SHROUD HOOK ASSEMBLY	2
5	T112	PLAIN WASHER 3/8"	8
6	T114	HEX LOCK NUT 3/8"	4
7	134990	HEX BOLT HD, 3/8 X 1-1/4 HX GR5	4
8	T105	PLAIN WASHER 1/2"	4
9	174990	PLAIN WASHER, 5/16 ID X 3/4 OD FL ZP	4
10	R148	HEX LOCK NUT 5/16"	2
11	225980	HEX BOLT, 5/16X 1 HX GR2 CP NC	2
12		ENGINE SHROUD LID ACCESS	1

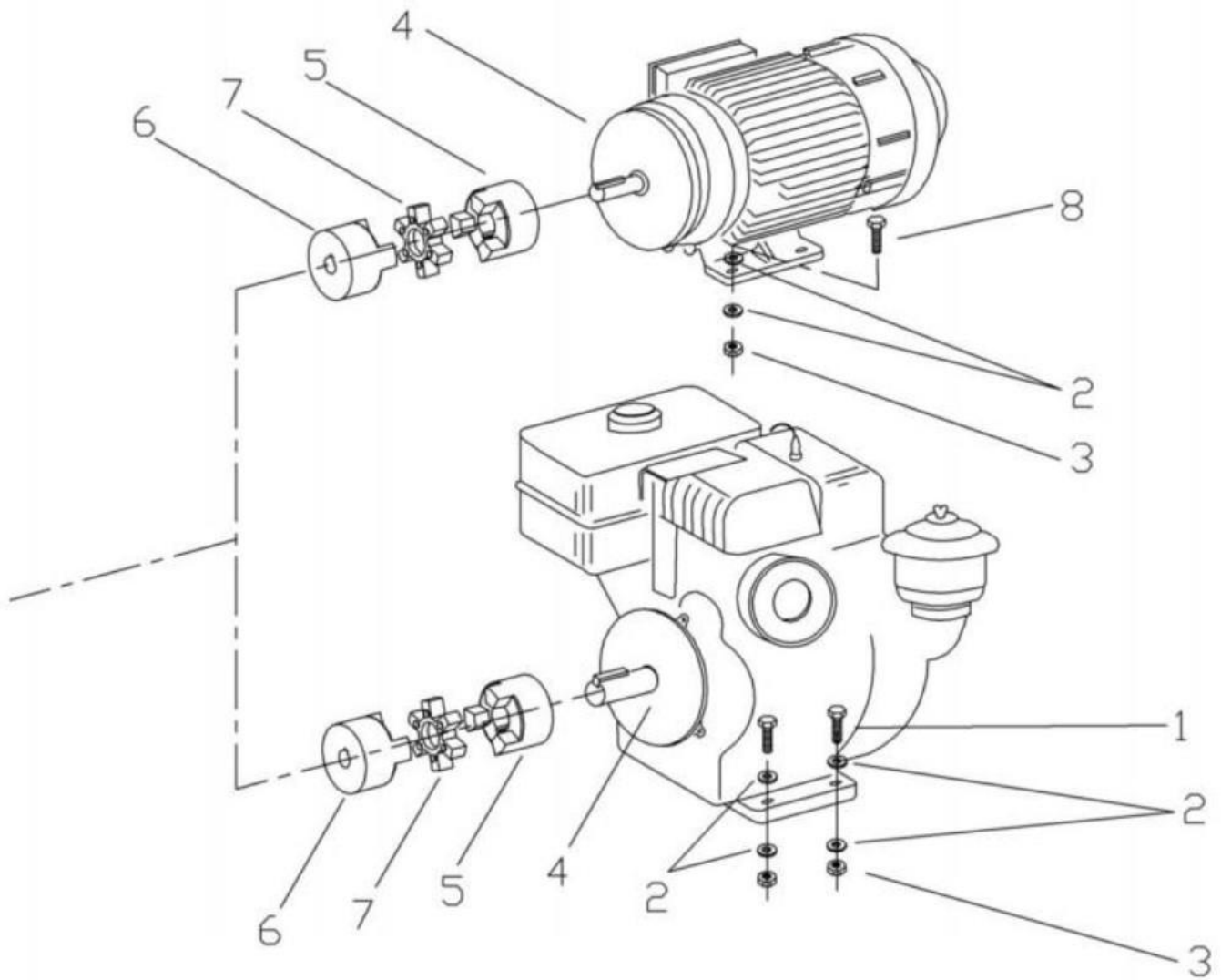
**PARTS LIST 5: MORTAR MIXER**

**DRIVE ASSEMBLY**



PARTS LIST 5: DRIVE ASSEMBLY			
ITEM #	PART #	DESCRIPTION	MMH12
1	412810	ARM, REACTION	1
2	T106	HEX LOCK NUT 1/2"	5
3	701002	COUPLER, 1.5" W/PIN 1.5" W/KEY (3-3/4" LONG)	1
3	412814	COUPLER, 1.5" W/PIN 1.5" W/KEY (4-1/2" LONG)	1
4	401006	HEX BOLT GR5 1/2 X 4	1
5	228028	SET SCREW, 5/16 X 3/8	1
6	412950	MOTOR, HYD 31.95 CU IN/REV	1
7	226690	HEX BOLT HD 1/2" X 2-1/2"	4
8	T113	LOCK WASHER 3/8	6
9	C138	HEX BOLT 3/8 X 1"	8
10	412927	HYD PUMP .366 IN3 REV (GAS MODEL ONLY)	1
10	412928	HYD PUMP .659 IN3 REV (ELECTRIC MODEL ONLY)	1
11	412926	ADAPTER, 90°#10 ORB MALE ~ #10 JIC	1
12	412800	PUMP MOUNT W.A. "A" FLANGE	1
12	702008	PUMP MOUNT W.A. ELECTRIC MOTOR	1
13	T114	HEX LOCK NUT 3/8"	4
14	N/A	MOTOR/ENGINE	1
15	142532	SCREW, 5/16X3/4 CS SOCK HD GR12	3
16	412815	FAN, 2"	1
17	412851	FAN, 8" CCW	1
18	N/A	ENGINE COUPLER, SEE ENGINE OPTIONS	1
19	N/A	COUPLER INSERT, SEE ENGINE OPTIONS	1
20	N/A	HYD PUMP COUPLER, SEE OPTIONS	1
21	412920	ADAPTER 90° #12 ORB MALE #10 JIC	1
22	226250	HEX BOLT HD, GR5 3/8" X 2"	2
23	412820	GUARD, 9" DIA.	1
*	702009	ELECTRIC MOTOR GUARD	1
24	485704	HANDLE, HYD MIX VALVE	2
25	412914	VALVE 2SPOOL PRESS COMP	1
26	701009	HEX BOLT HD 5/16" X 3"	2
27	412818	BRACKET, VALVE MOUNTING	1
28	227821	HEX LOCK NUT 5/16"	2
29	174986	PLAIN WASHER 3/8"	4

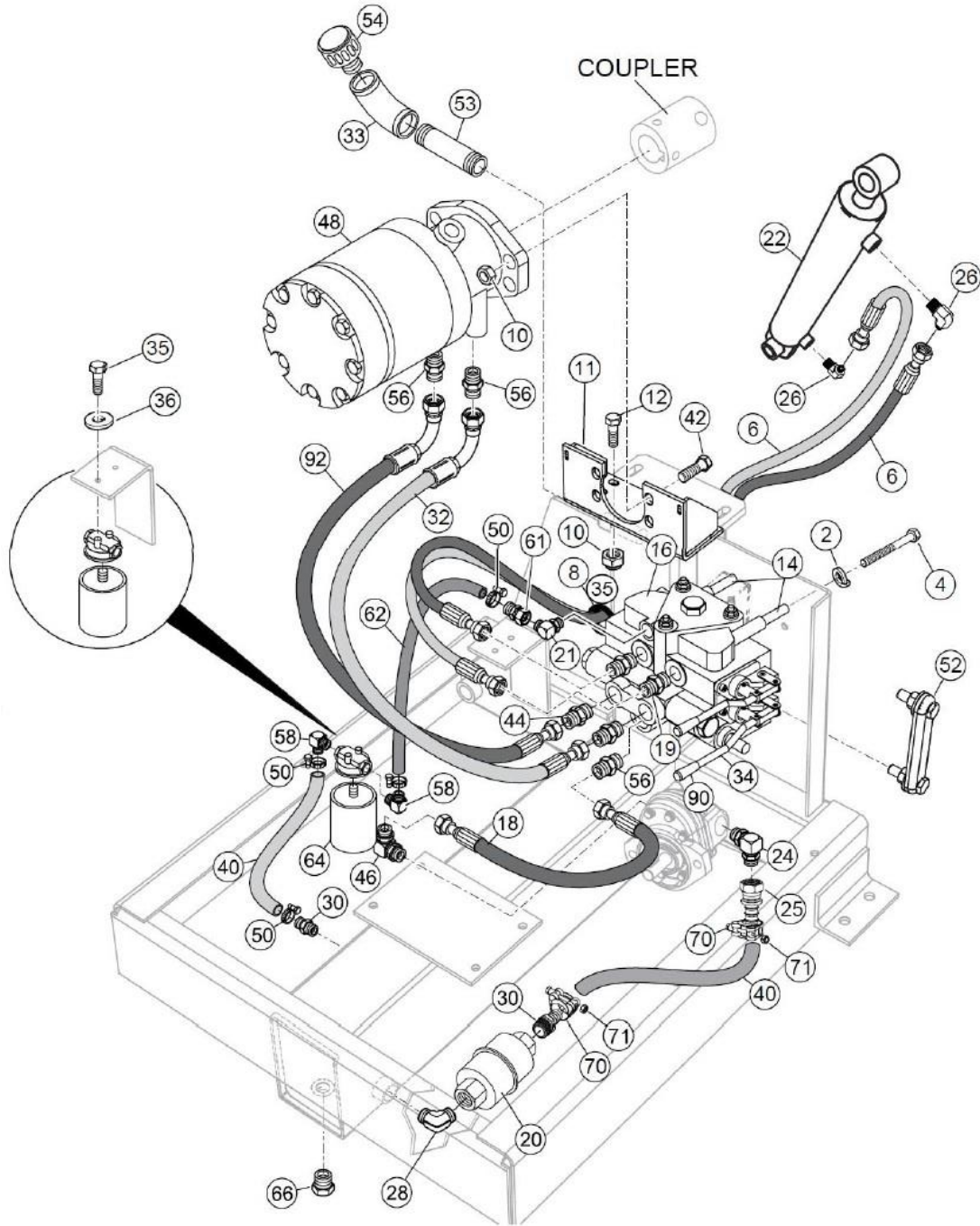
**PARTS LIST 6: MORTAR MIXER**





PARTS LIST 6: MOTOR/ENGINE ASSEMBLY			
ITEM #	PART #	DESCRIPTION	MMH12
1	226240	HEX BOLT HD, 3/8 X 1-3/4	4
2	174986	PLAIN WASHER 3/8"	8
3	227830	HEX LOCK NUT 3/8"	4
4	N/A	HONDA 13 HP	1
5	412856	COUPLER, L100 & L70 X 1" DIAM SHAFT	1
4	219991MS	BALDOR MOTOR, 5HP, 3PH, 60HZ 575V, W/C-FACE	1
5	412859	COUPLER, L100 X 1.125" DIA.	1
4	219993	MOTOR, 7.5 HP, 3-575, EXT SHAFT, 1" C FI	1
5	412871	COUPLER, L100 X 1.375" DIA	1
4	219999	MOTOR, 7.5 HP, 1-115/230, 1" C FLG	1
5	412871	COUPLER, L100 X 1.375" DIA	1
4	220000	MOTOR, 7.5 HP, 3-239/460, EXT SHAFT	1
5	412871	COUPLER, L100 X 1.375" DIA	1
6	412853	COUPLER, L100 X 5/8" DIA. ELEC MOTOR	1
6	702007	COUPLER, L100 X 3/4" DIA. GAS ENGINE	1
7	412854	INSERT, L099-100U BLUE	1
8	226210	BOLT, HEX HD, 3/8 X 1	4

## PARTS LIST 7: MORTAR MIXER



PARTS LIST 7: HYD HOSES & FITTINGS ASSEMBLY			
ITEM #	PART #	DESCRIPTION	MMH12
1	412858	KIT, SPOOL DETENT	1
2	412903	RESERVOIR TO PUMP BUTTOM HOSE 3/4 X 16" #10 JIC - #10 JIC	1
3	412904	VALVE TO PUMP SIDE HOSE, 1/2 X 18" #10 JIC - #10 JIC	1
4	412905	VALVE TO CYLINDER HOSE, 3/8 X 72" #6 JIC - #6 JIC	2
5	412906	VALVE TO MOTOR HOSE, 1/2 X 24" #10 JIC - #10 JIC	2
6	412907	COOLER TO VALVE & FILTER HOSE, 1/2 X 18" #8 JIC - #8 JIC	2
7	412909	CYLINDER VALVE ADAPTER 90 DEG #4 NPT - #6 JIC	2
8	412910	VALVE ADAPTER, #8 ORB - #10 JIC	2
9	412911	VALVE ADAPTER, #12 ORB - #8 JIC	1
10	412912	FILTER ADAPTER, 45 DEG #8 NPT - #8 JIC	1
11	412913	RESERVOIR BUTTOM, 45DEG #8 NPT - #10 JIC	1
12	412916	VALVE ADAPTER, #8 ORB - #6 JIC	2
13	412917	VALVE ADAPTER, PLUG #10	1
14	412918	VALVE ADAPTER, PLUG #8	1
15	412919	FILTER ADAPTER, 90 DEG #8 JIC FERN - #8 JIC MALE	2
16	412922	HYD MOTOR ADAPTER, 45 DEG #10 ORB - #10 JIC	2
17	412925	VALVE ADAPTER, HYD #8 ORB - #8 JIC	1
18	412932	RESERVOIR FITTING, PLUG, #8 NPT	2
19	485104	VALVE ADAPTER, 90 DEG #10 JIC FERN - #10 JIC MALE	1
20	485115	RESERVOIR SCREEN, SUCTON - 100 MESH 1" NPT	1

# morrison

BARTELL  GLOBAL



**Bartell Morrison Inc.**  
170 Traders Blvd E  
Mississauga, Ontario, Canada  
L4Z 1W7  
Tel: 1-647-953-4100  
Fax: 1-647-953-4101



**Bartell Morrison (USA) LLC**  
200 Commerce Drive, Unit A  
Freehold, New Jersey, USA  
07728  
Tel: 1-848-225-8100  
Fax: 1-848-225-8101



**Innovatech**  
4701 Allmond Ave  
Louisville, Kentucky, USA  
40209  
Tel: (425) 405-9100  
Fax: (425) 405-9101



**SPE International**  
Honeyholes Lane  
Dunholme, Lincoln, UK  
LN2 3SU  
Tel: +44 (0)1673 860709  
Fax: +44 (0)1673 861119



**BARTELL  
GLOBAL**

5 BRANDS - 1 SOURCE FOR  
**GREAT EQUIPMENT**  
BARTELL morrison   

BARTELLGLOBAL.COM