



**BARTELL  
GLOBAL**

**PARTS  
BOOK**

# **GREEN CONCRETE SAW**

SG10



[www.BartellGlobal.com](http://www.BartellGlobal.com)

**CANADA**

170 Traders Blvd E  
Mississauga, Ontario L4Z 1W7  
TEL (647) 953-4100 FAX (647) 953-4101

**KENTUCKY**

4701 Allmond Ave  
Louisville, Kentucky 40209  
TEL (425) 405-9100 FAX (425) 405-9101

**UK**

Honeyholes Lane  
Dunholme, Lincoln, UK LN2 3SU  
TEL 01673 860709 FAX 01673 861119

**NEW JERSEY**

200 Commerce Drive, Unit A  
Freehold, New Jersey 07728  
TEL (848) 225-8100 FAX (848) 225-8101

**ORIGINAL LANGUAGE OPERATING MANUAL FOR  
BARTELL RIDE-ON TROWELS**

© 2022 Bartell Global Inc.

No part of this work may be reproduced or transmitted in any form or by any means, electronic or mechanical, including photocopying and recording, or by any information storage or retrieval system without the prior written permission of Bartell Morrison Inc. unless such copying is permitted by federal copyright laws.

**ADDRESS INQUIRIES OR REFERENCE PERMISSIONS CARE OF:**

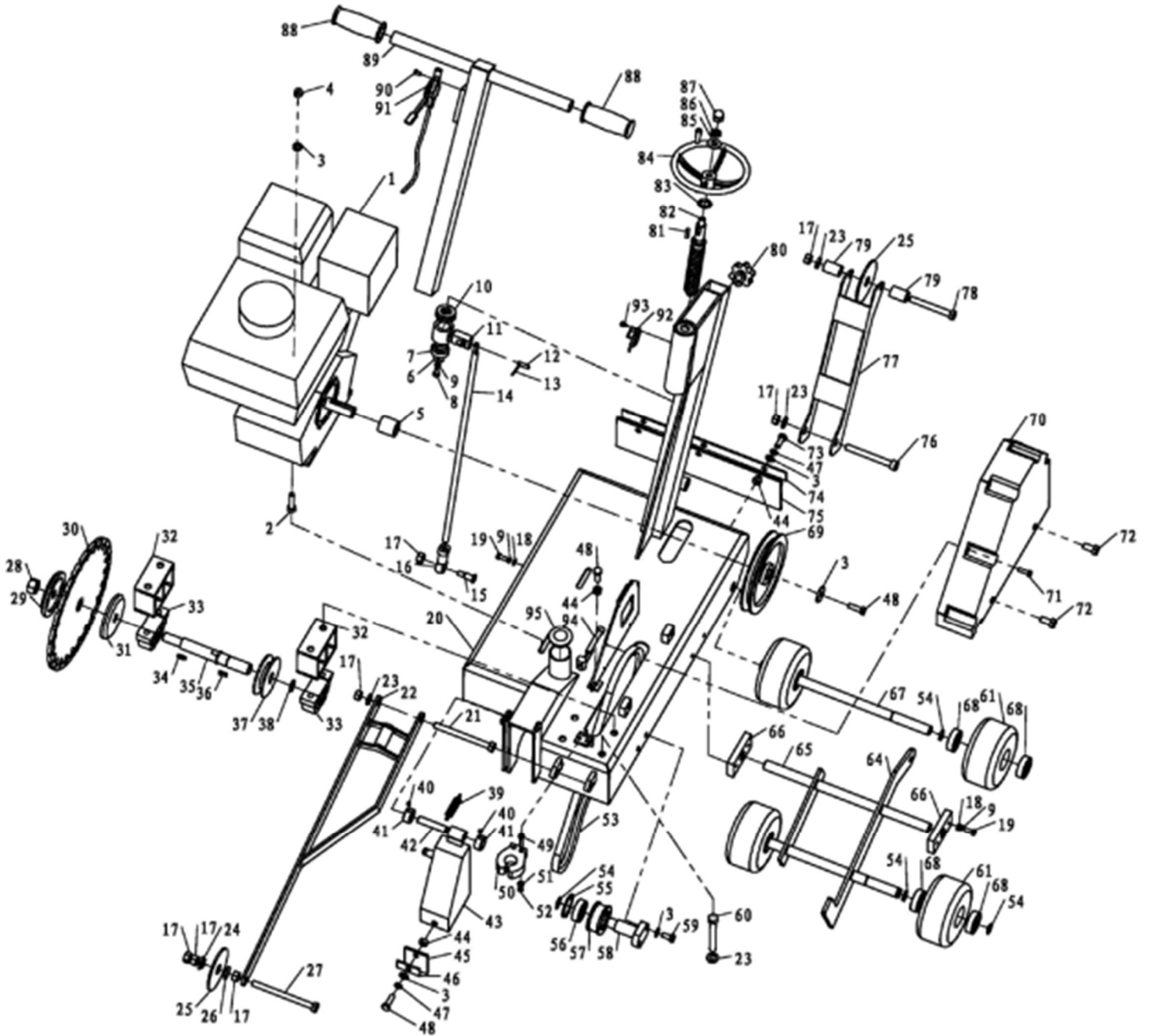
Bartell Global, 170 Traders Blvd E., Mississauga, Ontario, Canada, L4Z 1W7

<b>REV.</b>	<b>DATE</b>	<b>DESCRIPTION</b>	<b>APPROVED BY:</b>
00	12/2017	Initial Release of New Format, Parts List Now Includes Parts for Kohler Model	AN
01	11/2023	Updated logos and P/N's	AN

## **TABLE OF CONTENTS**

<b>SG10 ASSEMBLY DIAGRAM</b>	<b>3</b>
<b>SG10 PARTS LIST – PAGE 1 OF 3</b>	<b>4</b>
<b>SG10 PARTS LIST – PAGE 2 OF 3</b>	<b>5</b>
<b>SG10 PARTS LIST – PAGE 3 OF 3</b>	<b>6</b>

## SG10 ASSEMBLY DIAGRAM



**SG10 PARTS LIST – Page 1 of 3**

Item #	Part #	Description	QTY.
1	-	Engine	1
2	10452	HHCS M8-1.25 x 40MM	4
3	11667	Washer M8	11
4	11617	Locknut M8-1.25	4
5	95MCS-240-46	Bushing	1
6	14447	Washer M6	1
7	12467	Bearing, 6201	1
8	95GB/T70.11	SHCS M6-1.0 LH x 40MM	1
9	14448	Lock Washer M6	5
10	95GB/T301	Bearing	1
11	95MCS-240-029-3	Rod Holder	1
12	95MCS-240-029-4	Axle	1
13	95GB/T91	Cotter Pin	1
14	95MCS-240-029-02	Push Rod	1
15	95MCS-240-016	Pin Roll	1
16	95MCS-240-033	Connector	1
17	11802	Nut M10-1.5	5
18	14447	Washer M6	4
19	11746	HHCS M6-1.0 x 16MM	4
20	95MCS-240-00-B	Base Plate	1
21	95GB/T5783-1	HHCS M10-1.5 x 110MM	1
22	95MCS-240-02700	Pointer	1
23	41516	Washer M10	7
24	95MCS-240-54	Locating Bushing LH (1)	1
25	95MCS-240-028	Pointer Wheel	2
26	95MCS-240-55	Locating Bushing RH (2)	1
27	11885	HHCS M10-1.5 x 120MM	1
28	95MCS-240-035	Blade Nut	1
29	95MCS-240-023-2	Flange RH (B)	1
30	-	Saw Blade	1
31	95MCS-240-023-1	Flange LH (A)	1
32	95MCS-240-20	Bracket	2
33	95GB/T7813	Bearing Mount	2
34	95GB/T1093-5X16	Key 5 SQ. x 16MM	1
35	95MCS-240-022	Main Shaft	1
36	95GB/T1093-5x16	Key 5 SQ. x 16MM	1
37	95MCS-240-021	Driven Pulley	1
38	95GB/T894-20	Retaining Ring	1

**SG10 PARTS LIST – Page 2 of 3**

Item #	Part #	Description	QTY.
39	95MCS-240-036	Tension Spring	1
40	95GB/T819.1	SHSS M5-0.8 x 16MM	2
41	95MCS-240-002	Locating Bushing	2
42	95MCS-240-025	Shaft	1
43	95MCS-240-024	Wheel Guard	1
44	11802	Lock Nut M10-1.5	5
45	95MCS-240-040	Mudguard, Small	1
46	95MCS-240-052	Pressure Plate	1
47	11621	Lock Washer M10	4
48	11619	HHCS M8-1.5 x 25MM	3
49	60269	HHCS M5-0.8 x 30MM	2
50	95PCTY.31	Fixture Block	1
51	30846	Washer M5	2
52	30844	Nut M5-0.8	2
53S	11879	Belt, Gates XPA967 (for Subaru Model)	1
53K	20776	Belt, Gates XPA907 (for Kohler Model)	1
54	95GB/T894-17	Retaining Ring 17	7
55	95GB/T894-40	Retaining Ring 40	1
56	95GB/T276-6203	Bearing, 6203	1
57	95MCS-240-043-02	Tensioner	1
58	95MCS-240-043-01	Tensioner Shaft	1
59	11515	HHCS M8-1.25 x 16MM	2
60	95GB/T5783-5	Hex Head Shoulder Bolt M10-1.5 x 90MM	4
61	95MCS-240-044	Castor Wheel	4
62	95MCS-240-019-01	Shaft	1
63	95MCS-240-034	Fixing Plate	1
64	95MCS-240-017	Pole	1
65	95MCS-240-019-02	Axle Weldment	2
66	95MCS-240-018	Axle Support	2
67	95MCS-240-019-03	Axle	1
68	95GB/T276-6203	Bearing, 6203	8
69S	11537	Pulley (6" O.D) (for Subaru Model)	1
69K	50727	Pulley (4.5" O.D) (for Kohler Model)	1
70	95MCS-240-026	Belt Guard	1
72	31008	HHCS M10-1.5 x 20MM	2
73	10999	HHCS M8-1.25 x 20MM	3
74	95MCS-240-053	Pressure Plate	1
75	95MCS-240-041	Mudguard, Large	1
76	12087	HHCS M10-1.5 x 90MM	1

**SG10 PARTS LIST – Page 3 of 3**

Item #	Part #	Description	QTY.
77	95MCS-240-032	Rear Pointer Support	1
78	60726	HHCS M10-1.5 x 80MM	1
79	95MCS-240-031	Sleeve	2
80	651172	Hand Knob M10-1.5	1
81	95GB/T1093-5X20	Key 5 Sq. x 20	1
82	95MCS-240-029-1	Screw Rod	1
83	95MCS-240-029-5	Gasket	1
84	95JBT7273.5	Hand Wheel	1
85	41516	Washer, M10	1
86	11622	Hex Nut M10-1.5	1
87	11622	Hex Nut M10-1.5	1
88	95MG12-0731	Handle Grip	2
89	95MCS-240-030	Handle Pipe	1
90	95010	FHSCS M5-1.0 X 14MM	1
91S	95PCTY.18	Throttle Cable Assy (For Subaru Model)	1
91K	95005	Throttle Cable Assy (For Kohler Model)	1
92	50062	On-Off Switch	1
93	11035	PHPS M4-0.7 x 6	2
94	10453	HHCS M8-1.25 x 50	1
95	95MCS-240-037	Plug	1
	95001	Label Kit	1
	95003	Handle Lock Assy	1
	95008	Pointer Assy Incl 17, 21-27	1
	95009	Tensioner Assy Incl 54-59	1



# BARTELL

BARTELL GLOBAL



**Bartell Morrison Inc.**  
170 Traders Blvd E  
Mississauga, Ontario, Canada  
L4Z 1W7  
Tel: 1-647-953-4100  
Fax: 1-647-953-4101



**Bartell Morrison (USA) LLC**  
200 Commerce Drive, Unit A  
Freehold, New Jersey, USA  
07728  
Tel: 1-848-225-8100  
Fax: 1-848-225-8101



**Innovatech**  
4701 Allmond Ave  
Louisville, Kentucky, USA  
40209  
Tel: (425) 405-9100  
Fax: (425) 405-9101



**SPE International**  
Honeyholes Lane  
Dunholme, Lincoln, UK  
LN2 3SU  
Tel: +44 (0)1673 860709  
Fax: +44 (0)1673 861119



**BARTELL  
GLOBAL**

**5 BRANDS - 1 SOURCE FOR  
GREAT EQUIPMENT**

BARTELL morrison SPE Innovatech CONTEC

BARTELLGLOBAL.COM