

# BARTELL

CONCRETE EQUIPMENT

Bartell Morrison Inc.  
375 Annagem Blvd.,  
Mississauga, ON, Canada  
L5T 2A7

Toll Free (N.A.): 1 866 501 1683

Local: +1 905 364 4200

Fax: +1 905 364 4201

## *PARTS MANUAL*

## **HYDRAULIC REVERSIBLE PLATE COMPACTOR**

B1728R



**ORIGINAL  
LANGUAGE**

Doc. # PB-B09009  
Orig. Rel. - 03/2010  
Curr. Rev. - 02  
Rev. Date - 06/2013

Bartell Morrison Inc.  
375 Annagem Blvd.  
Mississauga, Ontario, Canada  
L5T 3A7  
Toll Free (N.A.): (866) 501-1683  
Phone: (905) 364-4200  
Facsimile: (905) 364-4201  
www.bartellmorrison.com

ORIGINAL LANGUAGE PARTS BOOK FOR  
BARTELL HYDRAULIC REVERSIBLE PLATE COMPACTORS

© 2010 Bartell Morrison Inc.

No part of this work may be reproduced or transmitted in any form or by any means, electronic or mechanical, including photocopying and recording, or by any information storage or retrieval system without the prior written permission of Bartell Morrison Inc. unless such copying is permitted by federal copyright laws.

Address inquiries or reference permissions care of:

Bartell Morrison Inc.,  
375 Annagem Blvd.,  
Mississauga, Ontario,  
Canada, L5T 3A7

| Revision | Date    | Description        | Approved by. |
|----------|---------|--------------------|--------------|
| 00       | 03/2010 | Initial release    | RSL          |
| 01       | 07/2012 | Part Number Update | AL           |
| 02       | 06/2013 | Front Page Update  | AL           |
|          |         |                    |              |
|          |         |                    |              |
|          |         |                    |              |
|          |         |                    |              |
|          |         |                    |              |

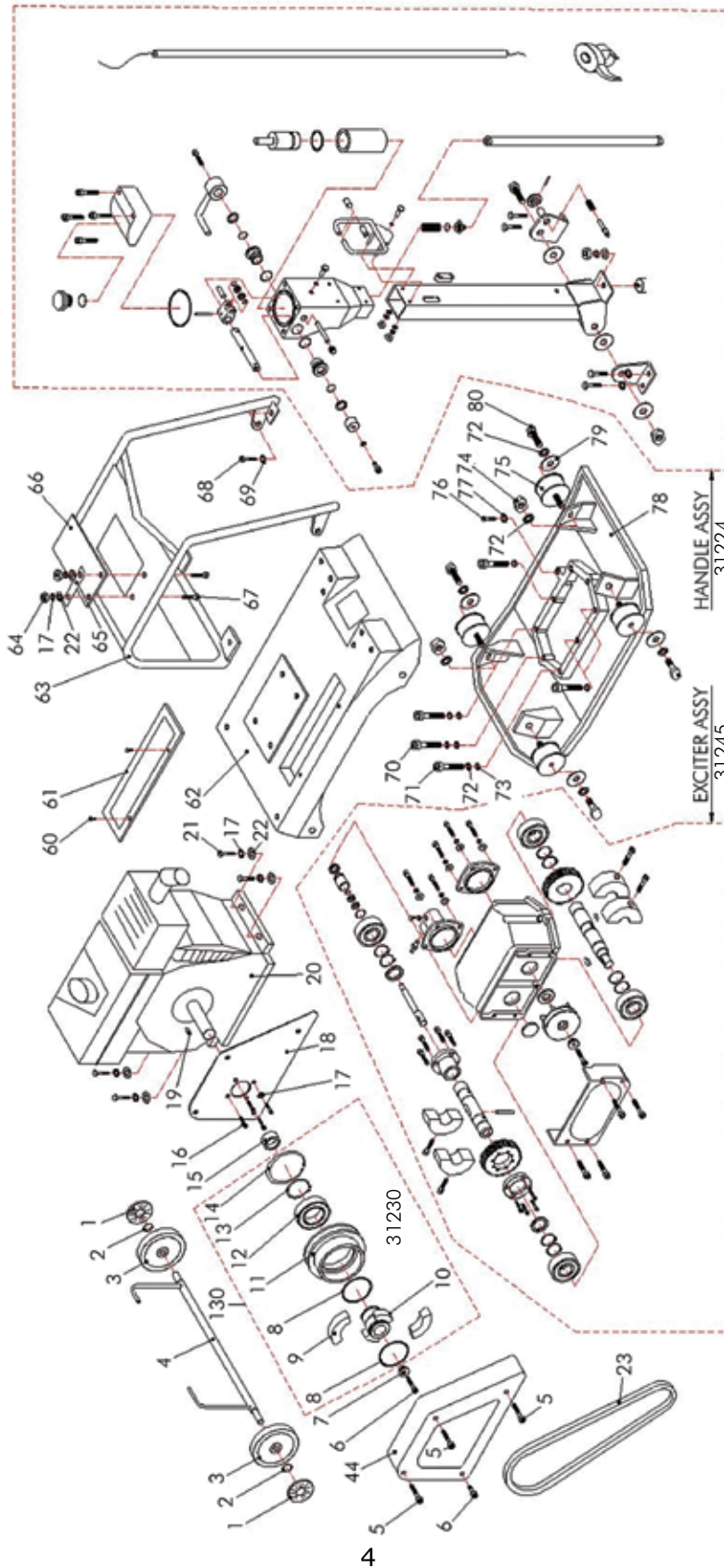
# PARTS BOOK B1728R

## TABLE OF CONTENTS

|                     |    |
|---------------------|----|
| 1. GENERAL ASSEMBLY | 4  |
| 2. HANDLE ASSEMBLY  | 8  |
| 3. EXCITER ASSEMBLY | 12 |
| 4. LABELS           | 14 |

# PARTS LIST 1 B1728R

## GENERAL ASSEMBLY



# PARTS LIST 1

## B1728R

### GENERAL ASSEMBLY

| ITEM NO. | PART NO. | DESCRIPTION             | QTY. | REMARK |
|----------|----------|-------------------------|------|--------|
| 1        | 31101    | WHEEL COVER             | 2    |        |
| 2        | 31102    | RETAINING RING, 16MM    | 2    |        |
| 3        | 31103    | WHEEL                   | 2    |        |
| 4        | 31104    | AXLE                    | 1    |        |
| 5        | 31105    | SHCS, M8x60             | 3    |        |
| 6        | 31106    | SHCS,M8x20              | 1    |        |
| 7        | 31107    | CLUTCH WHEEL SLEEVE     | 1    |        |
| 8        | 31108    | CLUTCH WHEEL SPRING     | 2    |        |
| 9        | 31109    | CENTRIFUGAL BLOCK       | 3    |        |
| 10       | 31110    | CENTRIFUGAL WHEEL HUB   | 1    |        |
| 11       | 31111    | CENTIFUGAL WHEEL        | 1    |        |
| 12       | 31112    | BEARING, 6006           | 1    |        |
| 13       | 31113    | RETAINING RING, 30MM    | 1    |        |
| 14       | 31114    | RETAINING RING, 55MM    | 1    |        |
| 15       | 31115    | SPACER                  | 1    |        |
| 16       | 31116    | HHCS,M8x20              | 15   |        |
| 17       | 31117    | WASHER, LOCK, 8MM       | 21   |        |
| 18       | 31118    | ENGINE BELT COVER PLATE | 1    |        |
| 19       | 31119    | KEY, 5x5x35             | 1    |        |
| 20       |          | ENGINE                  | 1    |        |
| 21       | 31121    | HHCS, M8x35             | 4    |        |
| 22       | 31122    | WASHER, FLAT, 8MM       | 16   |        |
| 23       | 31123    | BELT                    | 1    |        |
| 44       | 31144    | ENGINE BELT COVER       | 1    |        |
| 60       | 31160    | SCREW, M6x12            | 2    |        |
| 61       | 31161    | SHIELD COVER            | 1    |        |
| 62       | 31162    | COVER PLATE             | 1    |        |
| 63       | 31163    | GUARD SUPPORT           | 1    |        |
| 64       | 31164    | LOCKNUT, M8             | 4    |        |
| 65       | 31165    | PRESSING PLATE          | 1    |        |
| 66       | 31166    | COVER PLATE             | 1    |        |
| 67       | 31167    | HHCS, M8x25             | 2    |        |
| 68       | 31168    | HHCS, M12x25            | 8    |        |
| 69       | 31169    | WASHER, LOCK, 12MM      | 8    |        |
| 70       | 31170    | SHCS,M12x40             | 2    |        |
| 71       | 31171    | SHCS,M12x120            | 6    |        |
| 72       | 31172    | WASHER, LOCK, 12MM      | 16   |        |

# PARTS LIST 1

## B2027R

### GENERAL ASSEMBLY - cont.

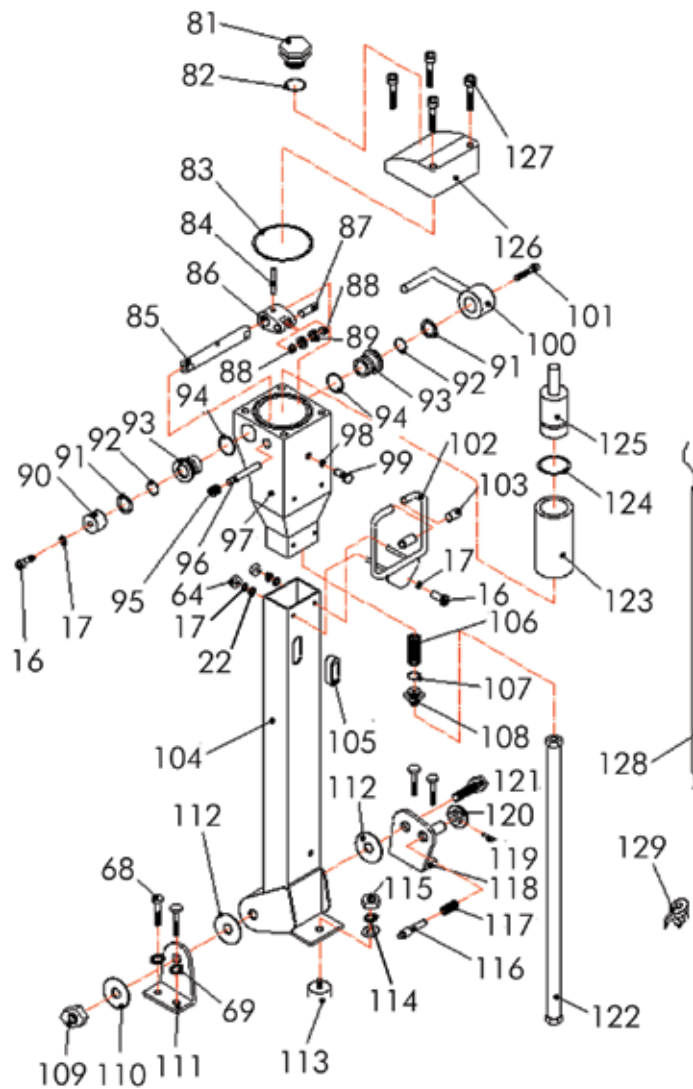
| ITEM NO. | PART NO. | DESCRIPTION        | QTY. | REMARK          |
|----------|----------|--------------------|------|-----------------|
| 73       | 31173    | WASHER, FLAT, 12MM | 8    |                 |
| 74       | 31174    | HEX NUT, M12       | 4    |                 |
| 75       | 31175    | BUFFER             | 4    |                 |
| 76       | 31176    | HHCS,M10x20        | 1    |                 |
| 77       | 31177    | WASHER, FLAT,10MM  | 2    |                 |
| 78       | 31178    | BASE PLATE         | 1    |                 |
| 79       | 31179    | WASHER, 12MM       | 4    |                 |
| 80       | 31180    | HHCS,M12x30        | 4    |                 |
| 130      | 31230    | CLUTCH ASSY        | 1    | INCL ITEMS 7-14 |
| 132      | 31224    | HANDLE ASSEMBLY    | 1    |                 |
| 133      | 31245    | EXCITER ASSEMBLY   | 1    |                 |

*THIS PAGE INTENTIONALLY LEFT BLANK*

# PARTS LIST 2

## B1728R

### HANDLE ASSEMBLY





# PARTS LIST 2

## B1728R

### HANDLE ASSEMBLY - 31224

| ITEM NO. | PART NO. | DESCRIPTION                | QTY. | REMARK |
|----------|----------|----------------------------|------|--------|
| 16       | 31116    | HHCS,M8x20                 | 1    |        |
| 17       | 31117    | WASHER, LOCK, 8MM          | 3    |        |
| 22       | 31122    | WASHER, FLAT, 8MM          | 2    |        |
| 64       | 31164    | LOCK NUT, M8               | 2    |        |
| 68       | 31168    | HHCS, M12x25               | 2    |        |
| 69       | 31169    | WASHER, LOCK, 12MM         | 2    |        |
| 81       | 31181    | DECOMPRESSION VALVE        | 1    |        |
| 82       | 31182    | ORING, 2.65x18             | 1    |        |
| 83       | 31183    | ORING, 2.65x70             | 1    |        |
| 84       | 31184    | PIN, 6MMx26                | 1    |        |
| 85       | 31185    | ROCKER SHAFT               | 1    |        |
| 86       | 31186    | ROCKER                     | 1    |        |
| 87       | 31187    | PIN, 8MMx30                | 1    |        |
| 88       | 31188    | ORING, 1.8x8               | 2    |        |
| 89       | 31189    | BEARING, 619/8             | 2    |        |
| 90       | 31190    | REOCKER RESTRICTING SLEEVE | 1    |        |
| 91       | 31191    | WAVE WASHER                | 2    |        |
| 92       | 31192    | ORING, 2.65x15             | 2    |        |
| 93       | 31193    | SUPPORT SLEEVE             | 2    |        |
| 94       | 31194    | ORING, 2.65x19             | 2    |        |
| 95       | 31195    | SHCS,M12x1.5x8             | 1    |        |
| 96       | 31196    | PIN, 10MMx60               | 1    |        |
| 97       | 31197    | HYDRAULIC CONTROL BOX      | 1    |        |
| 98       | 31198    | ORING, 1.8x6.9             | 1    |        |
| 99       | 31199    | RESTRICTING SCREW          | 1    |        |
| 100      | 31200    | FORWARD/REVERSE GRIP       | 1    |        |
| 101      | 31201    | SHCS, M8x12                | 1    |        |
| 102      | 31202    | HANDLE                     | 1    |        |
| 103      | 31203    | HANDLE SLEEVE              | 2    |        |
| 104      | 31205    | HANDRAIL TUBE              | 1    |        |
| 105      | 31206    | RUBBER RING                | 1    |        |
| 106      | 31207    | SPRING                     | 1    |        |
| 107      | 31208    | ORING, 2.65x21.2           | 1    |        |
| 108      | 31209    | TUBE CONNECTOR             | 1    |        |
| 109      | 31210    | NUT, M16                   | 2    |        |
| 110      | 31211    | WASHER, FLAT, 16MM         | 2    |        |
| 111      | 31212    | HANDRAIL SUPPORT PLATE     | 1    |        |

# PARTS LIST 2

## B1728R

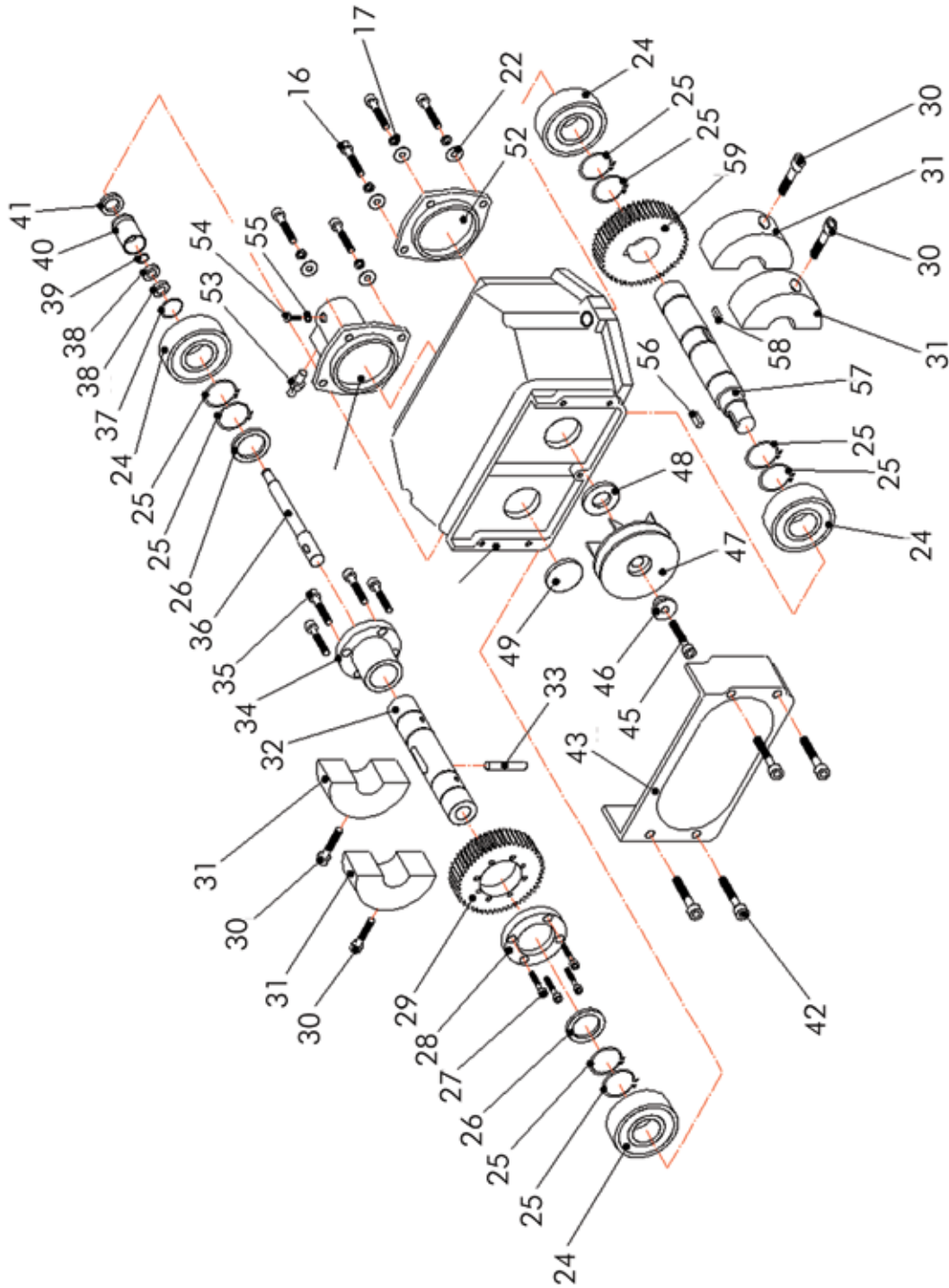
### HANDLE ASSEMBLY - 31224 - cont.

| ITEM NO. | PART NO. | DESCRIPTION                  | QTY. | REMARK |
|----------|----------|------------------------------|------|--------|
| 112      | 31213    | WASHER, BELLEVILLE, 16.3     | 1    |        |
| 113      | 31214    | HANDRAIL BUMPER RUBBER STICK | 2    |        |
| 114      | 31215    | WASHER, LOCK, 10MM           | 1    |        |
| 115      | 31216    | NUT, M10                     | 1    |        |
| 116      | 31217    | POSITIONING PIN              | 1    |        |
| 117      | 31218    | POSITIONING SPRING           | 1    |        |
| 118      | 31219    | HANDRAIL LOCKING PLATE       | 1    |        |
| 119      | 31220    | PIN, 3MMx18                  | 1    |        |
| 120      | 31231    | LOCKING GRIP                 | 1    |        |
| 121      | 31232    | BOLT, M16x145                | 1    |        |
| 122      | 31233    | HYDRAULIC HOSE ASSY          | 1    |        |
| 123      | 31234    | CYLINDER COVER               | 1    |        |
| 124      | 31235    | ORING, 2.65X25               | 1    |        |
| 125      | 31236    | SINGLE DIRECTION VALVE       | 1    |        |
| 126      | 31237    | HYDRAULIC BOX COVER          | 1    |        |
| 127      | 31238    | SHCS, M6x35                  | 4    |        |
| 128      | 31239    | THROTTLE CABLE               | 1    |        |
| 129      | 31240    | THROTTLE LEVER               | 1    |        |

*THIS PAGE INTENTIONALLY LEFT BLANK*

# PARTS LIST 3 B1728R

## EXCITER ASSEMBLY - 31245



# PARTS LIST 3

## B1728R

### EXCITER ASSEMBLY - 31245

| ITEM NO. | PART NO. | DESCRIPTION          | QTY. | REMARK |
|----------|----------|----------------------|------|--------|
| 16       | 31116    | HHCS, M8x20          | 8    |        |
| 17       | 31117    | WASHER, LOCK, 8MM    | 8    |        |
| 22       | 31122    | WASHER, FLAT, 8MM    | 8    |        |
| 24       | 31124    | BEARING, NJ307E      | 4    |        |
| 25       | 31125    | RETAINING RING, 35MM | 8    |        |
| 26       | 31126    | BEARING 6807         | 2    |        |
| 27       | 31127    | SHCS, M6x30          | 4    |        |
| 28       | 31128    | BEARING COVER        | 1    |        |
| 29       | 31129    | COMMUTATING GEAR     | 1    |        |
| 30       | 31130    | SHCS, M10x1.25x30    | 4    |        |
| 31       | 31131    | ECCENTRIC WEIGHT     | 4    |        |
| 32       | 31132    | COMMUTATING SHAFT    | 1    |        |
| 33       | 31133    | PIN                  | 1    |        |
| 34       | 31134    | COMMUTATING SLEEVE   | 1    |        |
| 35       | 31135    | SHCS, M6x16          | 4    |        |
| 36       | 31136    | COMMUTATING POST     | 1    |        |
| 37       | 31137    | RETAINING RING, 26MM | 1    |        |
| 38       | 31138    | BEARING, 6000        | 2    |        |
| 39       | 31139    | RETAINING RING, 10MM | 1    |        |
| 40       | 31140    | COMMUTATING PISTON   | 1    |        |
| 41       | 31141    | OIL SEAL, USH-22.4   | 1    |        |
| 42       | 31142    | SHCS, M6x45          | 5    |        |
| 43       | 31143    | EXCITER BELT COVER   | 1    |        |
| 45       | 31145    | HHCS, M8x30          | 1    |        |
| 46       | 31146    | SHIELD SLEEVE        | 1    |        |
| 47       | 31147    | DRIVEN PULLEY        | 1    |        |
| 48       | 31148    | OIL SEAL 45x28x7     | 1    |        |
| 49       | 31149    | COVER, SC45x8x10     | 1    |        |
| 50       | 31150    | EXCITER HOUSING      | 1    |        |
| 51       | 31151    | ACTUATOR HOUSING     | 1    |        |
| 52       | 31152    | END COVER            | 1    |        |
| 53       | 31153    | CONNECTOR            | 1    |        |
| 54       | 31154    | HHCS, M8x12          | 1    |        |
| 55       | 31155    | WASHER, SEALING, 8MM | 1    |        |
| 56       | 31156    | KEY 8MM x 25         | 1    |        |
| 57       | 31157    | GEAR SHAFT           | 1    |        |
| 58       | 31158    | KEY, 10MMx18         | 1    |        |
| 59       | 31159    | DRIVE GEAR           | 1    |        |

# PARTS LIST 4 B1728R

## LABELS



| ITEM NO. | PART NO. | DESCRIPTION                       | QTY. | REMARK |
|----------|----------|-----------------------------------|------|--------|
| A        | PC230    | WARNING LABEL - HOT BESIDE        | 1    |        |
| B        | PC231    | WARNING LABEL - HOT BELOW         | 1    |        |
| C        | PC140    | DANGER LABEL - GENERAL            | 1    |        |
| D        | PC110    | WARNING LABEL - PPE               | 1    |        |
| E        | PC400    | WARNING LABEL - FINGER HAZARD     | 1    |        |
| F        | 109dB    | NOTICE LABEL - NOISE              | 1    |        |
| G        | PC220    | INSTRUCTION LABEL - THROTTLE      | 1    |        |
| H        | PC200    | INSTRUCTION LABEL - LIFT POINT    | 1    |        |
| J        | PC221    | INSTRUCTION LABEL - THROTTLE      | 1    |        |
| K        | PC211    | CAUTION LABEL - READ INSTRUCTIONS | 1    |        |

*THIS PAGE INTENTIONALLY LEFT BLANK*



# BARTELL

BARTELL MORRISON INC.



## **BARTELL MORRISON INC.**

375 Annagem Blvd.  
Mississauga, Ontario, Canada  
L5T3A7

Toll Free: 866-501-1683

Local: 905-364-4200

Fax: 905-364-4201

[www.bartellmorrison.com](http://www.bartellmorrison.com)

## **BARTELL MORRISON (USA) LLC.**

25 Industrial Drive.  
Keyport, New Jersey, USA  
07735

Toll Free: 888-999-1570

Local: 732-566-5400

Fax: 732-566-5444

[www.bmiamerica.com](http://www.bmiamerica.com)

**BARTELL morrison** **SPE** **Innovatech™**  
CONCRETE EQUIPMENT CONCRETE EQUIPMENT Surface Preparation Equipment

