



*PARTS*

*MANUAL*

**HYDRAULIC  
REVERSIBLE PLATE  
COMPACTOR**

B2027R



**ORIGINAL  
LANGUAGE**

Doc. # PB-B09020  
Orig. Rel. - 03/2010  
Curr. Rev. - 00  
Rev. Date - 03/2010



# PARTS BOOK B2027R

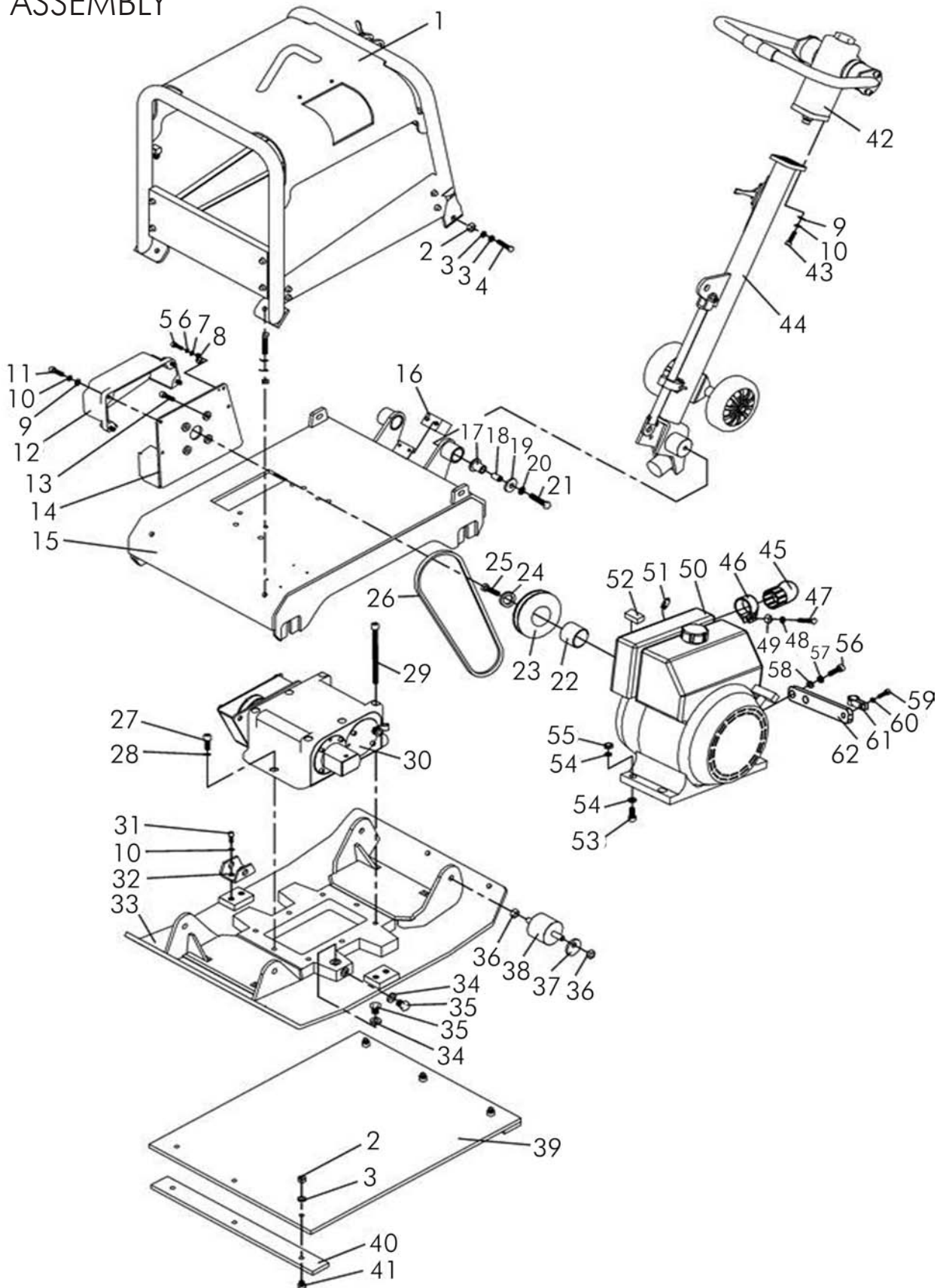
## TABLE OF CONTENTS

1. GENERAL ASSEMBLY	3
2. ROLL CAGE ASSEMBLY	6
3. HANDLE ASSEMBLY	8
4. CONTROL VALVE ASSEMBLY	10
5. EXCITER ASSEMBLY	12
6. LABELS	15

# PARTS LIST 1

## B2027R

### GENERAL ASSEMBLY



# PARTS LIST 1

## B2027R

### GENERAL ASSEMBLY

ITEM NO.	PART NO.	DESCRIPTION	QTY.	REMARK
1	MH5030R.00.05G	ROLL CAGE	1	
2	GB6182-M10	HEX NUT, M10	11	
3	GB97.1-10	WASHER, FLAT, 10MM	16	
4	GB5782-M10x40	HEX BOLT, M10x40	4	
5	NOT USED		1	
6	NOT USED		1	
7	NOT USED		1	
8	100005-05	CLIP	1	
9	GB97.1-8	WASHER, FLAT, 8MM	9	
10	GB93-8	WASHER, LOCK, 8MM	8	
11	GB70-M8x25	HEX BOLT, M8x25	4	
12	MH5030R.00.09-01G	BELT COVER	1	
13	MH4025R.00.30	HEX BOLT, M8x25	4	
14	MH5030R.00.09-02GA	PLATE	1	
15	MH5030R.00.03	MOUNTING PLATE, ENGINE	1	
16	MH4025R.00.18	CLAMP	1	
17	MH4025R.00.13	COLLAR, NYLON	2	
18	MH4025R.00.14	SLEEVE	2	
19	MH4025R.00.24	WASHER	2	
20	GB93-12	WASHER, LOCK, 12MM	2	
21	GB5782-M12x60	HEX BOLT, M12x60	2	
22	MH5030R.00.12YZ	SLEEVE	1	
23	MH4012.00.20YZ	CLUTCH	1	
24	MH4012.00.23	WASHER	1	
25	MH4012.00.22	BOLT	1	
26	782	BELT	1	
27	GB70-M10x35	HEX BOLT, M10x35	2	
28	GB93-10	WASHER, LOCK, 10MM	2	
29	GB70-M10x130	HEX BOLT, M10x130	6	
30	MH5030R.00.02	EXCITER ASSEMBLY	1	
31	GB70-M8x20	HEX BOLT, M8x20	4	
32	MH4025R.00.01-03	WHEEL ASSEMBLY	2	
33	MH5030R.00.01	BASE PLATE ASSEMBLY	1	
34	JB1002-14	GASKET	2	
35	JB1760-M14x1.5	HEX BOLT, M14x1.5	2	
36	GB6182-M12	HEX NUT, M12	8	
37	MH4025R.00.06	WASHER	4	

# PARTS LIST 1

## B2027R

### GENERAL ASSEMBLY - cont.

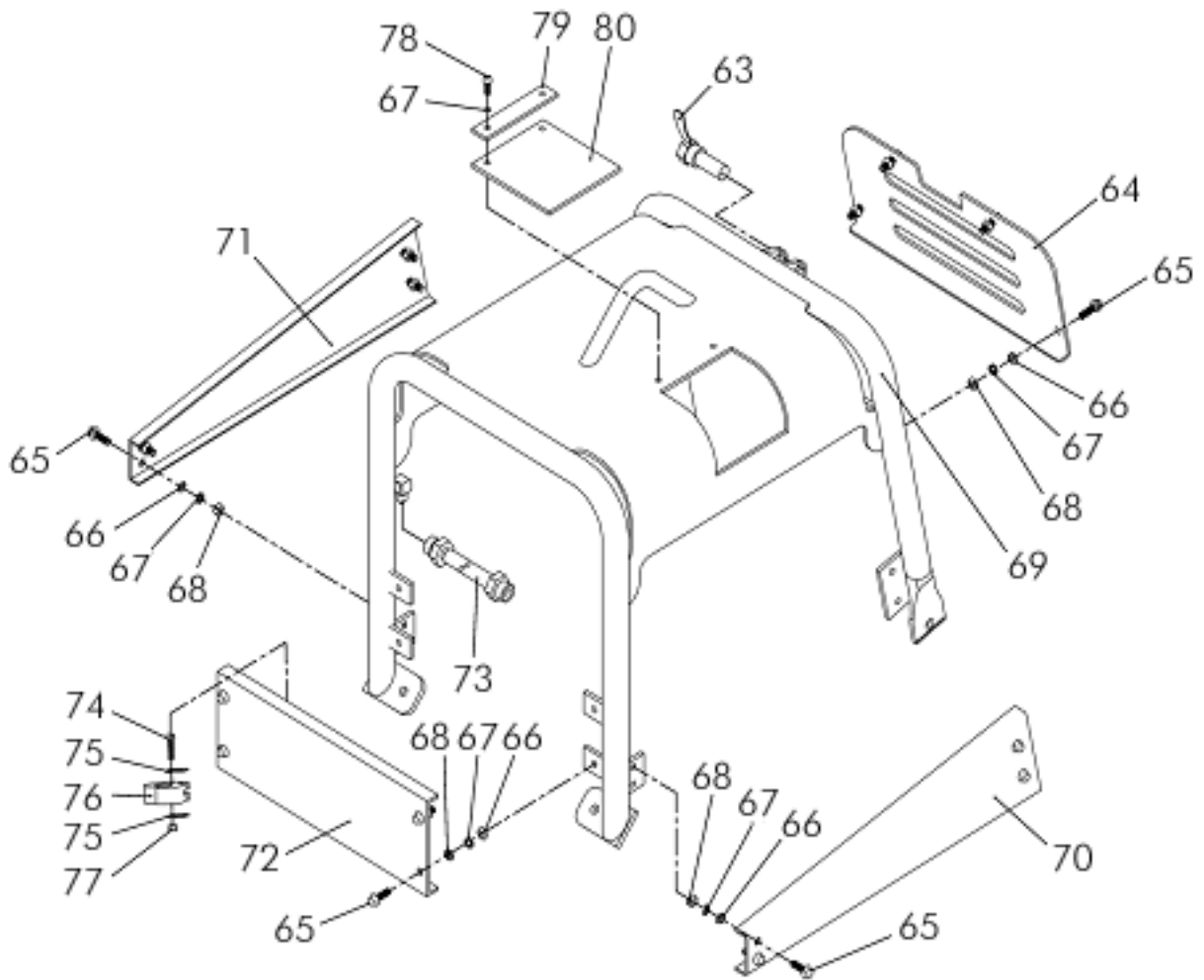
ITEM NO.	PART NO.	DESCRIPTION	QTY.	REMARK
38	MH4025R.00.08	VIBRATION DAMPER	4	
39	MH5030R.00.16	RUBBER MAT	1	
40	MH5030R.00.07	FIXING STRIP	2	
41	GB5782-M10x35	HEX BOLT, M10x35	6	
42	MH4025R.00.04.01	HYDRAULIC PUMP SYSTEM	1	
43	GB70-M8x35	HEX BOLT, M8x35	4	
44	MH4025R.00.04.02A	HANDLE ASSEMBLY	1	
45	NOT USED			
46	NOT USED			
47	NOT USED			
48	NOT USED			
49	NOT USED			
50	GX200	ENGINE	1	
51	NOT USED			
52	5x33	KEY	1	
53	GB5782-M8x45	HEX BOLT, M8x45	4	
54	GB97.1-8	WASHER, FLAT, M8	4	
55	GB6182-M8	HEX NUT, M8	4	
56	NOT USED			
57	NOT USED			
58	NOT USED			
59	NOT USED			
60	NOT USED			
61	NOT USED			
62	NOT USED			

*THIS PAGE INTENTIONALLY LEFT BLANK*

# PARTS LIST 2

## B2027R

### ROLL CAGE ASSEMBLY





# PARTS LIST 2

## B2027R

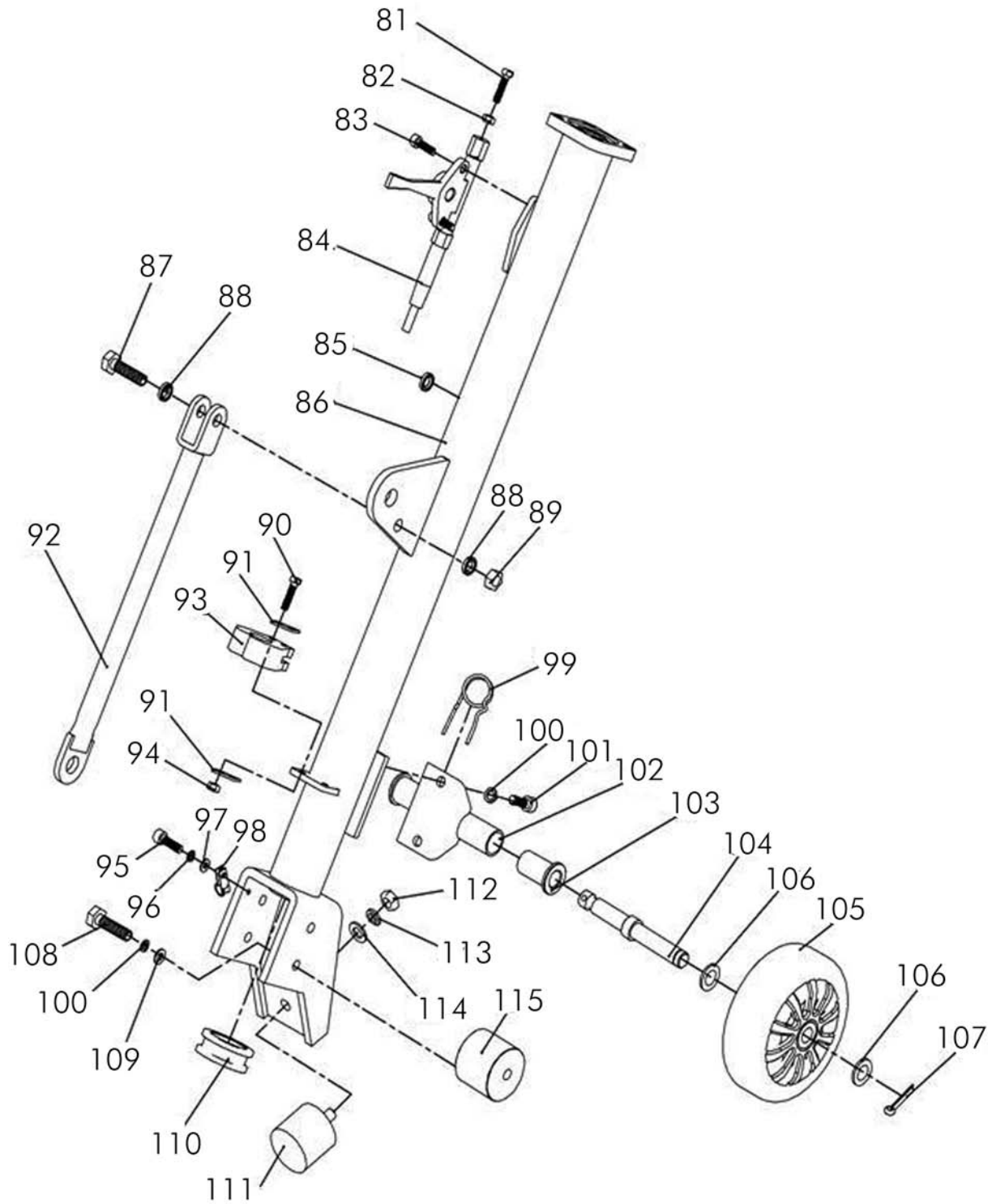
### ROLL CAGE ASSEMBLY

ITEM NO.	PART NO.	DESCRIPTION	QTY.	REMARK
63	170001	LATCH HANDLE	1	
64	MH5030R.00.05-08	COVER, BACK	1	
65	GB5782-M8x25	HEX BOLT, M8x25	16	
66	GB97.1-8	WASHER, FLAT, 8	16	
67	GB93-8	WASHER, LOCK, 8	18	
68	GB6182-M8	HEX NUT, M8	16	
69	MH5030R.00.05GA	PROTECTIVE FRAME	1	
70	MH5030R.00.05-09-02	COVER, RIGHT	1	
71	MH5030R.00.05-09-01	COVER, LEFT	1	
72	MH5030R.00.05-07	COVER, FRONT	1	
73	MH4012.00.21G	OIL DRAIN HOSE	1	
74	GB5782-M6x30	HEX BOLT, M6x30	2	
75	MH4012.00.18	GASKET	2	
76	MH4012.00.17	CLAMP, RUBBER	1	
77	GB6182-M6	HEX NUT, M6	2	
78	GB70-M8x15	HEX BOLT, M8x15	2	
79	MH4025R.00.15	STRIP	1	
80	MH4025.00.10	COVER, TOP, RUBBER	1	

# PARTS LIST 3

## B2027R

### HANDLE ASSEMBLY



# PARTS LIST 3

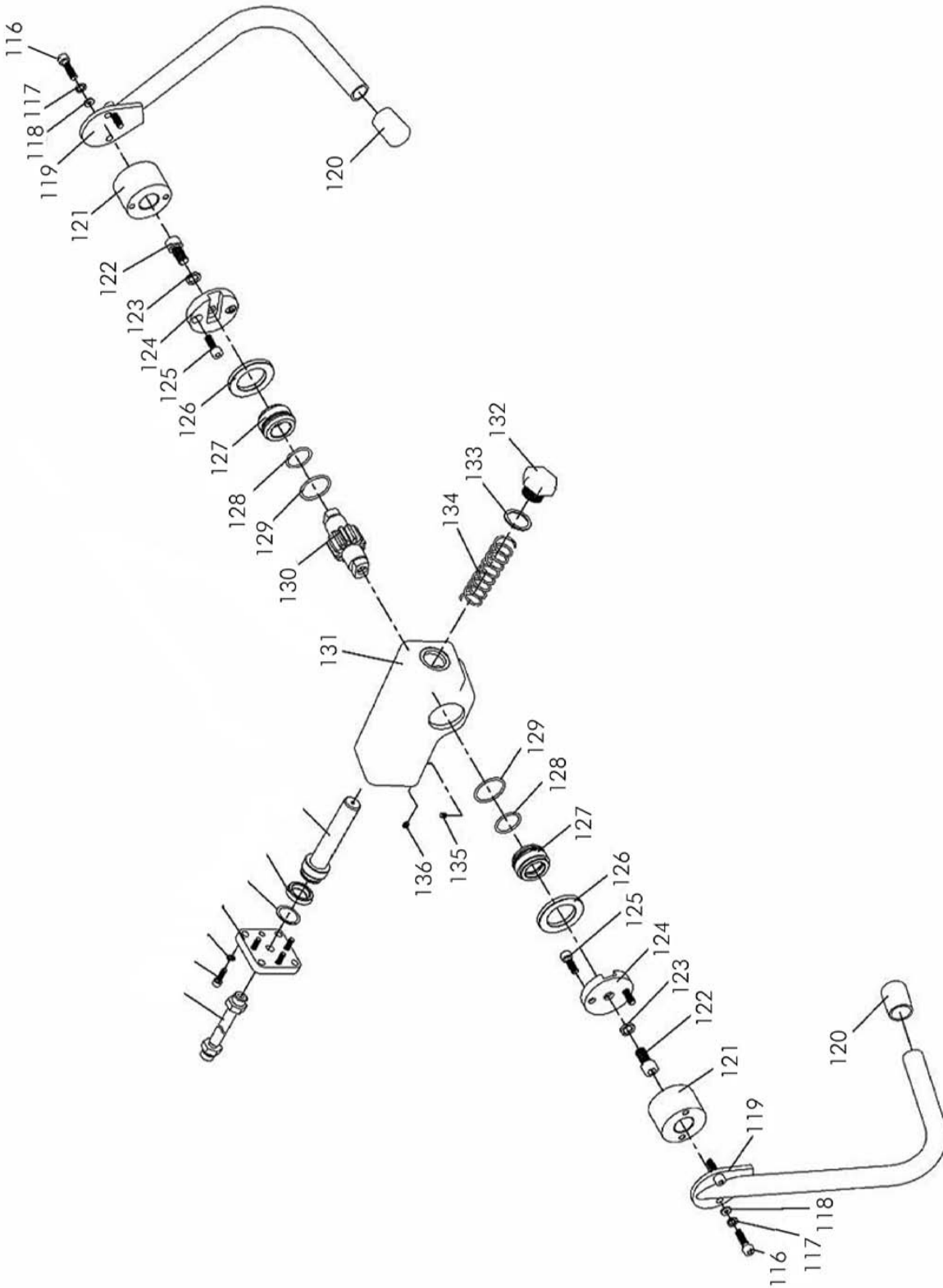
## B2027R

### HANDLE ASSEMBLY

ITEM NO.	PART NO.	DESCRIPTION	QTY.	REMARK
81	GB5782-M6x40	HEX BOLT, M6x40	1	
82	GB41-M6	HEX NUT, M6	1	
83	GB70.3-M6X20	HEX BOLT, M6x20	2	
84	MH5030R.00.19G	THROTTLE CONTROL ASSY	1	
85	MH4025R.00.26	SLEEVE	2	
86	MH4025R.00.04.02-17A	HANDLE	1	
87	GB5782-M10x35	HEX BOLT, M10x35	1	
88	MH4025R.00.04.02-10	SLEEVE, NYLON	2	
89	GB6182-M10	HEX NUT, M10	1	
90	GB5782-M6x30	HEX BOLT, M6x30	2	
91	MH4012.00.18	GASKET	2	
92	MH4025R.00.04.02-09	CONNECTING ROD	1	
93	MH4012.00.17	CLAMP, RUBBER	1	
94	GB889-M6	HEX NUT, M6	2	
95	GB70-M5x16	HEX BOLT, M5x16	1	
96	GB93-5	WASHER, LOCK, 5MM	1	
97	GB95-5	WASHER, FLAT, 5MM	1	
98	100005-05	CLAMP	1	
99	MH4025R.00.31	PIN	1	
100	GB93-8	WASHER, LOCK, M8	6	
101	GB70-M8x20	HEX BOLT, M8x20	2	
102	MH4025R.00.04.02-07	CONNECTOR, WHEEL	1	
103	MH4025R.00.04.02-08	SLEEVE, NYLON	2	
104	MH4025R.00.17-01	WHEEL SHAFT	1	
105	MH4025R.00.17-03	WHEEL	2	
106	MH4025R.00.17-02	WASHER, NYLON	4	
107	GB91-4x25	PIN	2	
108	GB5782-M8x20	HEX BOLT, M8x20	4	
109	GB97.1-8	WASHER, FLAT, 8MM	28	
110	MH4025R.00.04.02-11	SLEEVE, OIL HOSE	1	
111	MH4025R.00.04.02-12	VIBRATION DAMPER	1	
112	GB6182-M10	HEX NUT, M10	1	
113	GB93-10	WASHER, LOCK, 10MM	1	
114	GB97.1-10	WASHER, FLAT, 10MM	1	
115	3006400-2	VIBRATION DAMPER	2	

# PARTS LIST 4 B2027R

## CONTROL VALVE ASSEMBLY



# PARTS LIST 4

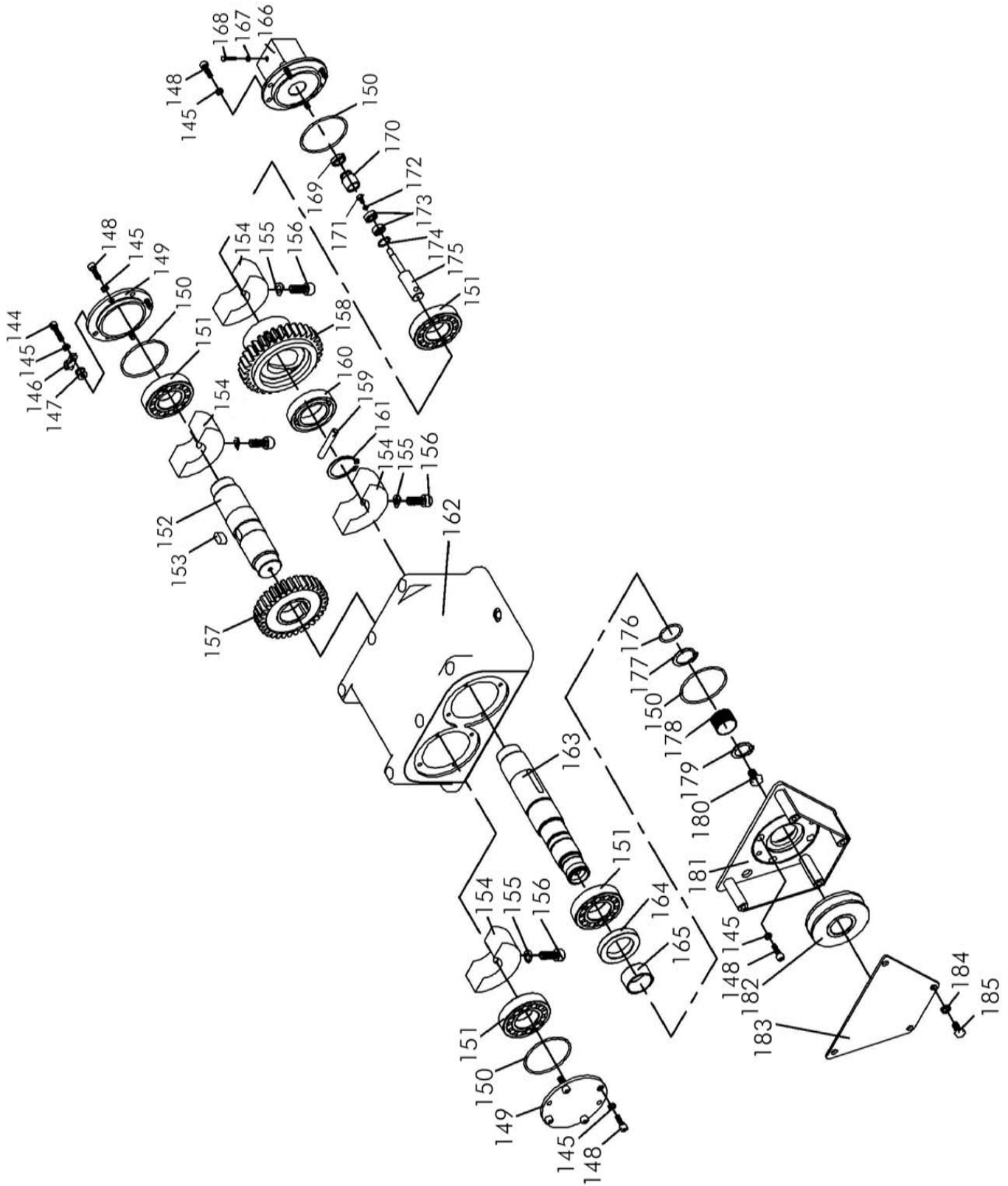
## B2027R

### CONTROL VALVE ASSEMBLY

ITEM NO.	PART NO.	DESCRIPTION	QTY.	REMARK
116	GB70-M8x25	HEX BOLT, M8x25	4	
117	GB93-8	WASHER, LOCK, 8MM	4	
118	GB97.1-8	WASHER, FLAT, 8MM	4	
119	MH4025R.00.04.01-01	HANDLE	2	
120	MH4025R.00.04.01-02	SLEEVE	2	
121	MH4025R.00.04.01-03	SHOCK MOUNT	2	
122	GB70-M12x25	HEX BOLT, M12x25	2	
123	GB93-12	WASHER, LOCK, 12MM	2	
124	MH4025R.00.04.01-07	PLATE	2	
125	GB70-M8x20	HEX BOLT, M8x20	4	
126	MH4025R.00.04.01-11	WASHER, NYLON	2	
127	MH4025R.00.04.01-06	SLEEVE	2	
128	SXYYB-OXQ-1	O-RING	2	
129	SXYYB-OXQ-2	O-RING	2	
130	MH4025R.00.04.01-05	PINION	1	
131	MH4025R.00.04.01-04	CASE, HYDRAULIC PUMP	1	
132	JB1000-M27x1.5	PLUG, SOCKET	1	
133	JB1002-27	GASKET	1	
134	MH4025R.00.04.01-10	SPRING	1	
135	GB1016-6x6	BOLT, 6x6	2	
136	GB73-M6x8	BOLT, M6x8	1	
137	MH4025R.00.04.01-09	CONTROL PISTON	1	
138	SXYYB-HCMF	GASKET	1	
139	SXYYB-OXQ-3	O-RING	1	
140	MH4025R.00.04.01-08	INTERMEDIATE FLANGE	1	
141	GB93-6	WASHER, LOCK, 6MM	4	
142	GB70-M6x20	HEX BOLT, M6x20	4	
143	MH5030R.00.20	OIL HOSE, HYDRAULIC	1	

# PARTS LIST 5 B2027R

## EXCITER ASSEMBLY



# PARTS LIST 5

## B2027R

### EXCITER ASSEMBLY

ITEM NO.	PART NO.	DESCRIPTION	QTY.	REMARK
144	GB70-M6x30	HEX BOLT, M6x30	1	
145	GB93-6	WASHER, LOCK, 6MM	16	
146	100016-016	CLAMP	1	
147	MH4025R.00.29	WASHER	1	
148	GB70-M6x20	HEX BOLT, M6x20	15	
149	MH4025R.00.02-07	BEARING COVER	2	
150	SXZOXT-OXQ-1	O-RING	4	
151	DXZDXT-ZC	BEARING	4	
152	MH4025R.00.02-08	SHAFT	1	
153	GB1096-10x18	KEY	1	
154	MH5030R.00.02-05	ECCENTRIC WEIGHT	4	
155	DIN796-10	SPRING WASHER	4	
156	GB70-M10x25	HEX BOLT, M10x25	4	
157	MH4025R.00.02-09	GEAR WHEEL	1	
158	MH4025R.00.02-03	GEAR	1	
159	MH4025R.00.02-04	PIN	1	
160	SXZDXT-ZC-1	BEARING	1	
161	GB894.1-40	RETAINING RING, 40MM	1	
162	MH4025R.00.02-01	EXCITER HOUSING	1	
163	MH4025R.00.02-02	SPINDLE	1	
164	SXZDXT-CXMFQ	OIL SEAL	1	
165	DXZDXT-GZZCNQ	INNER BEARING	1	
166	MH4025R.00.02-06	CYLINDER COVER	1	
167	JB1002-6	GASKET	1	
168	GB5783-M6x12	HEX BOLT, M6x12	1	
169	SXZDXT-XJMFQ	GASKET, RUBBER	1	
170	MH4025R.00.02.01-02	SLEEVE	1	
171	GB70-M5x10	HEX BOLT, M5x10	1	
172	GB97.1-5	WASHER, FLAT, 5MM	1	
173	SXZDXT-BCQ	BEARING	2	
174	GB893.1-22	RETAINING RING, 22MM	1	
175	MH4025R.00.02.01-01	ROTARY SHAFT	1	

# PARTS LIST 5

## B2027R

### EXCITER ASSEMBLY - cont.

ITEM NO.	PART NO.	DESCRIPTION	QTY.	REMARK
176	SXZDXT-OXQ-2	O-RING	1	
177	GB894.1-35	RETAINING RING, 35MM	1	
178	SXZDXT-BCQ	SHAFT SEAL	1	
179	GB894.1-32	RETAINING RING, 32MM	1	
180	MH4025R.00.02-11	BOLT	1	
181	MH4025R.00.02.02.OA	BELT COVER	1	
182	MH4025R.00.02-10	PULLEY	1	
183	MH4025.00.02.02-04	COVER PLATE	1	
184	GB93-8	WASHER, LOCK, 8MM	4	
185	GB5782-M8x15	HEX BOLT, M8x15	4	



# PARTS LIST 6

## B2027R

### LABELS



ITEM NO.	PART NO.	DESCRIPTION	QTY.	REMARK
A	PC230	WARNING LABEL - HOT BESIDE	1	
B	PC231	WARNING LABEL - HOT BELOW	1	
C	PC140	DANGER LABEL - GENERAL	1	
D	PC110	WARNING LABEL - PPE	1	
E	PC400	WARNING LABEL - FINGER HAZARD	1	
F	109dB	NOTICE LABEL - NOISE	1	
G	PC220	INSTRUCTION LABEL - THROTTLE	1	
H	PC200	INSTRUCTION LABEL - LIFT POINT	1	
J	PC221	INSTRUCTION LABEL - THROTTLE	1	
K	PC211	CAUTION LABEL - READ INSTRUCTIONS	1	



**BARTELL MORRISON INC.**

375 Annagem Blvd.  
Mississauga, Ontario, Canada  
L7J2L7

Toll Free: 866-501-1683

Local: 905-364-4200

Fax: 905-364-4202

[www.bartellmorrison.com](http://www.bartellmorrison.com)

**BARTELL MORRISON (USA) LLC.**

12 Industrial Drive.  
Keyport, New Jersey, USA  
07735

Toll Free: 888-999-1570

Local: 732-566-5400

Fax: 732-566-5444

[www.bmiamerica.com](http://www.bmiamerica.com)

