



DB17, DB21 PARTS BOOK



www.BARTELLGLOBAL.com

Doc. # PB-B19035
Orig. Rel. – 08/2017
Curr Rev. – 06
Before S/N: 723694



www.BARTELLGLOBAL.com

Bartell Morrison Inc.
170 Traders Blvd E
Mississauga, Ontario, Canada
L4Z 1W7
Tel: (647) 953-4100
Fax: (647) 953-4101

Bartell Morrison USA LLC
200 Commerce Drive, Unit A
Freehold, NJ, USA
07728
Tel: (848) 225-8100
Fax: (848) 225-8101

SPE International Ltd
Honeyholes Lane
Dunholme, Lincoln, England
LN2 3SU
Tel: 01673 860709
Fax: 01673 861119

Innovatech
4701 Allmond Ave
Louisville, Kentucky, USA
40209
Tel: (425) 405-9100
Fax: (425) 405-9101

ORIGINAL LANGUAGE

© 2023 Bartell Morrison Inc.

No part of this work may be reproduced or transmitted in any form or by any means, electronic or mechanical, including photocopying and recording, or by any information storage or retrieval system without the prior written permission of Bartell Morrison Inc. unless such copying is permitted by federal copyright laws.

Address inquiries or reference permissions care of:
Bartell Morrison Inc., 170 Traders Blvd E., Mississauga, Ontario, Canada, L4Z 1W7

REV.	DATE	DESCRIPTION	APPROVED BY:
01	3/11/17	Item 142 Rod thread and length description	B. Murray
02	17/5/18	Item 60 P/N 61060 was 60060, Item 65 P/N 61065 was 60065	A. Nakkila
03	28/6/18	Items 15, 18 and 57 were updated for updated tank design (serial above 709000)	A. Nakkila
04	20/08/20	Item 178 Changed and Item 280 Added	A. Nakkila
05	23/06/21	Item 141 P/N corrected	A. Nakkila
06	04/04/23	Updated cover to say for machine before S/N 723694	A. Nakkila

BLANK

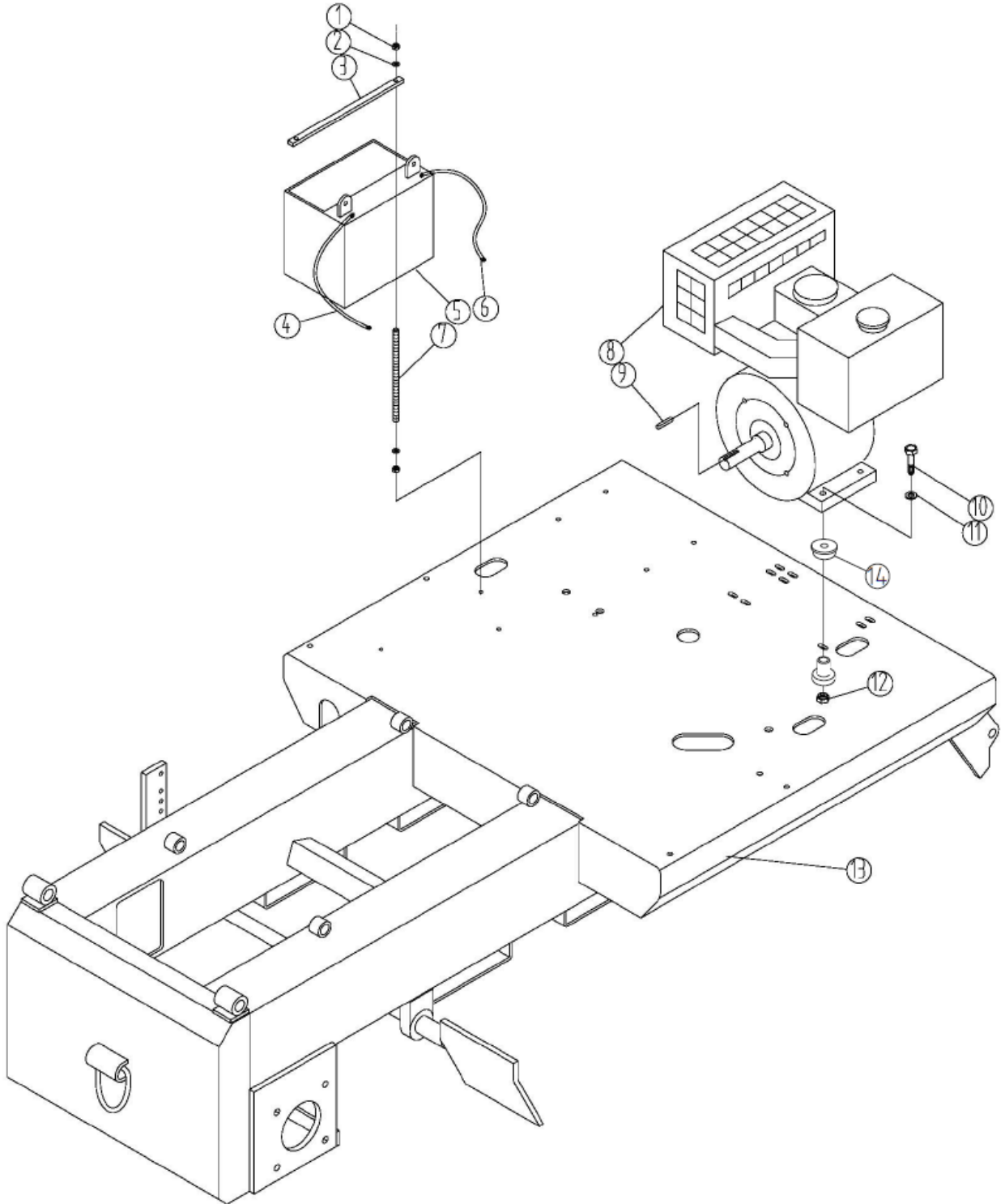
TABLE OF CONTENTS

PARTS LIST 1 – BUGGY	5
ENGINE AND BATTERY	5
ENGINE AND BATTERY – PARTS LIST 1	6
PARTS LIST 2 – BUGGY	7
PUMP ASSEMBLY	7
PUMP ASSEMBLY – PARTS LIST 2	8
PARTS LIST 3 – BUGGY	9
OIL TANK ASSEMBLY	9
OIL TANK ASSEMBLY – PARTS LIST 3	10
PARTS LIST 4 – BUGGY	11
DUMP VALVE ASSEMBLY	11
DUMP VALVE ASSEMBLY – PARTS LIST 4	12
PARTS LIST 5 – BUGGY	13
DUMP CYLINDER ASSEMBLY	13
DUMP CYLINDER ASSEMBLY – PARTS LIST 5	14
PARTS LIST 6 – BUGGY	15
MOTOR HYDRAULIC LINES	15
MOTOR HYDRUALIC LINES – PARTS LIST 5	16
PARTS LIST 7 – BUGGY	17
FRONT WHEEL ASSEMBLY	17
FRONT WHEEL ASSEMBLY – PARTS LIST 7	18
PARTS LIST 8 – BUGGY	19
CONTROL ASSEMBLY	19
CONTROL ASSEMBLY – PARTS LIST 7	20
PARTS LIST 8 – BUGGY	21
STEERING ASSEMBLY	21
STEERING ASSEMBLY – PARTS LIST 8	22
PARTS LIST 9 – BUGGY	23
REAR WHEEL ASSEMBLY	23
REAR WHEEL – PARTS LIST 9	24
PARTS LIST 10 – BUGGY	25
PLATFORM AND BRAKE ASSEMBLY	25
PLATFORM AND BRAKE ASSEMBLY – PARTS LIST 10	26

<u>PARTS LIST 11 – BUGGY</u>	<u>27</u>
BUCKET ASSEMBLY	27
BUCKET ASSEMBLY – PARTS LIST 11	28
<u>PARTS LIST 12 – BUGGY</u>	<u>29</u>
PLATFORM ASSEMBLY	29
PLATFORM ASSEMBLY – PARTS LIST 12	30
<u>PARTS LIST 13 – BUGGY</u>	<u>31</u>
ENGINE COMPARTMENT ASSEMBLY	31
ENGINE COMPARTMENT ASSEMBLY – PARTS LIST 13	32
<u>PARTS LIST 14 – BUGGY</u>	<u>33</u>
LIFTING POINT ASSEMBLY	33
LIFTING POINT ASSEMBLY – PARTS LIST 14	34

PARTS LIST 1 – BUGGY

ENGINE AND BATTERY



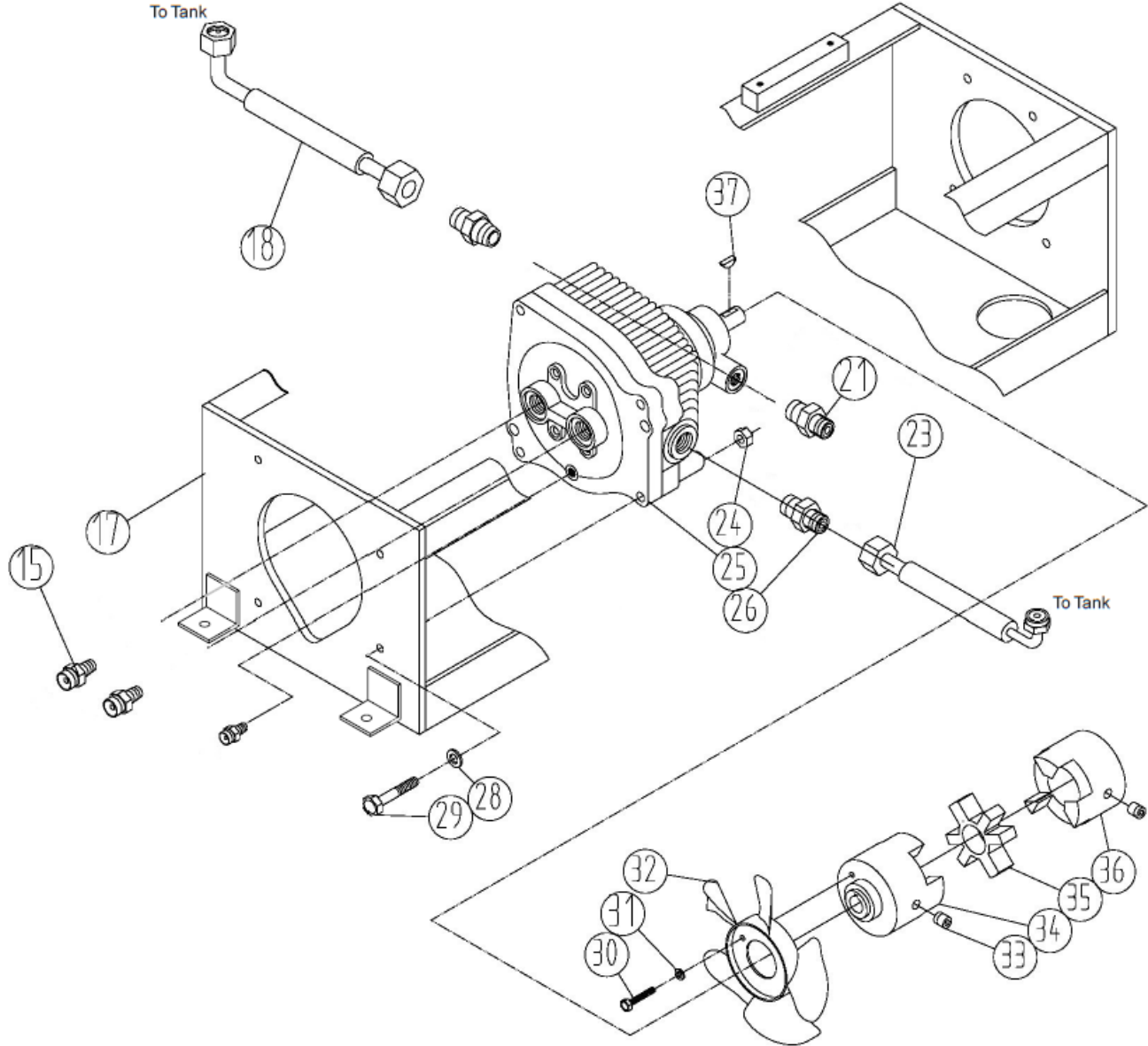
ENGINE AND BATTERY – PARTS LIST 1

Item #	Part #	Description	QTY	Remarks
*1	50622	LOCKNUT - M6	4	
*2	14447	FLAT WASHER, M6	4	
*3	60003	HOLD DOWN BAR	1	
*4	60004	POSITIVE WIRE	1	
*5	60005	BATTERY	1	
*6	60006	NEGATIVE WIRE	1	
*7	60007	THREADED ROD	2	
8	21356	HONDA GX390 - ELECTRIC START	1	
	21335	HONDA GX390 - RECOIL START	1	
	21390	B&S VANGUARD 18HP - ELECTRIC START	1	
9	60009	KEY, 1/4" SQ X 1 3/4" LG	1	
10	13888	(DB17) HHCS 3/8"-16 X 3" LG	4	
	10103	(DB21) HHCS 5/16"-18 x 3" LG	4	
11	10905	(DB17) FLAT WASHER 3/8"	6	
	11586	(DB21) FLAT WASHER 5/16"	4	
12	10317	(DB17) LOCKNUT 3/8"-16	4	
	10108	(DB21) LOCKNUT 5/16"-18	4	
13	60013	CHASSIS ASSEMBLY	1	
14	10187	ISOLATION MOUNT	4	

*ELECTRIC START VERSIONS ONLY

PARTS LIST 2 – BUGGY

PUMP ASSEMBLY

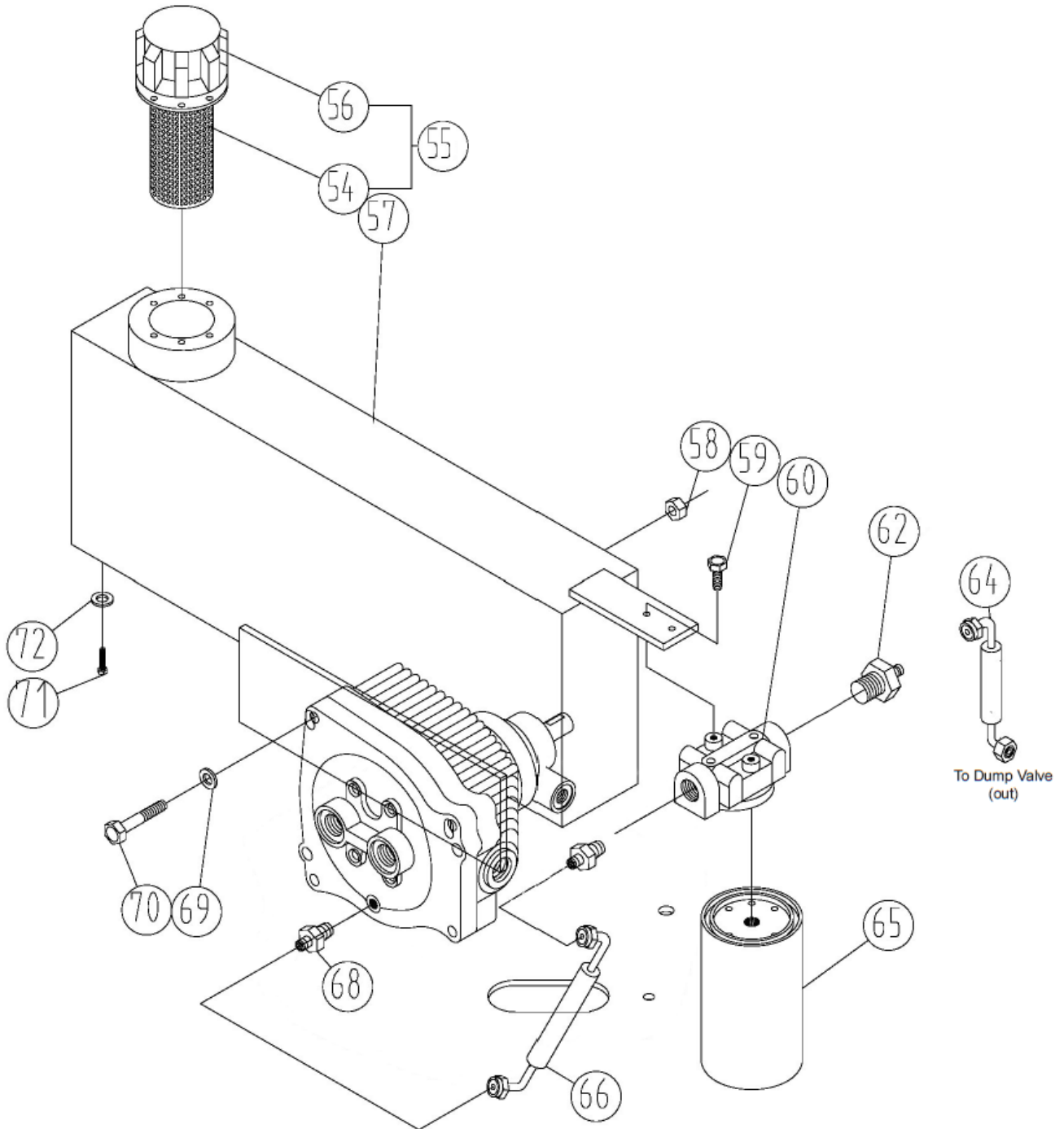


PUMP ASSEMBLY – PARTS LIST 2

Item #	Part #	Description	QTY	Remarks
15	60015	FITTING, 5/8" MJIC-MORB	5	
17	60017	PUMP HOUSING	1	
18	60259	HOSE, TANK TO PUMP	1	BEFORE SERIAL# 709000
	60277	SUCTION HOSE, TANK TO PUMP	1	AFTER SERIAL# 709000
21	60021	FITTING, 3/8" MJIC-MORB	2	
23	60023	HOSE, PUMP TO TANK (BEFORE SERIAL	1	
24	10317	LOCKNUT 3/8"-16	1	
25	760516	HYDRAULIC PUMP	1	
26	60015	FITTING, 5/8" MJIC-MORB	1	BEFORE SERIAL# 709000
	60321	FITTING, -12 MJIC X -10 MORB (USE WITH 60277)	1	AFTER SERIAL # 709000
28	10905	FLAT WASHER 3/8"	4	
29	10506	HHCS 3/8"-16 X 2 1/2" LG	4	
30	31135	SHCS M6-1.0 X 16MM LG	4	
31	14448	LOCK WASHER M6	4	
32	60032	FAN	1	
33	10056	SET SCREW M8-1.25 X 25MM LG	4	
34	60034	SHAFT COUPLING A	1	
35	60035	CUSHION BLOCK	1	
36	60036	SHAFT COUPLING B	1	
37	760545	WOODRUFF PIN KEY	1	

PARTS LIST 3 – BUGGY

OIL TANK ASSEMBLY

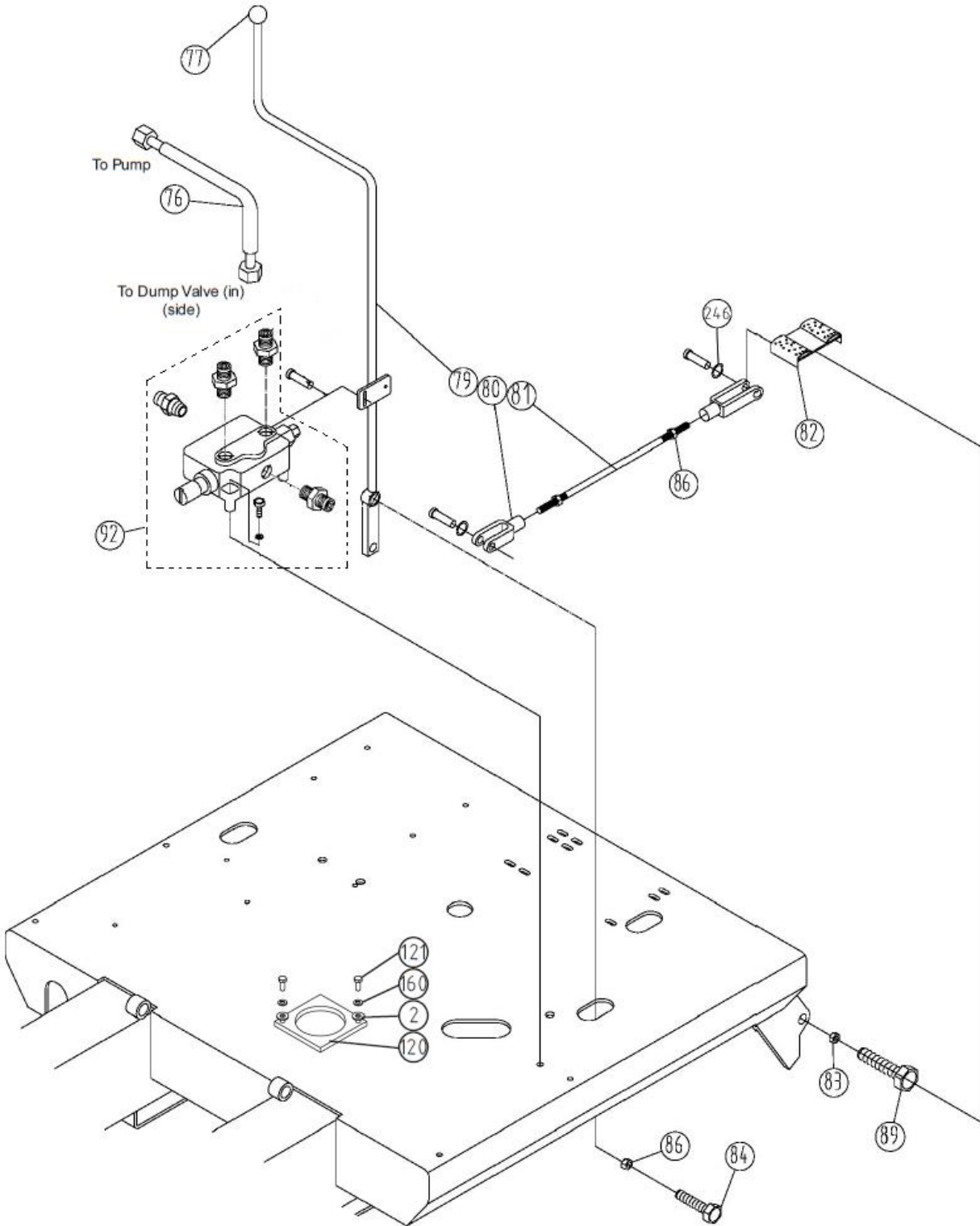


OIL TANK ASSEMBLY – PARTS LIST 3

Item #	Part #	Description	QTY	Remarks
54	61054	OIL CAP BASE P/O 61055	1	
55	61055	OIL CAB BASE + FILTER ASSY	1	
56	60056	OIL CAP	1	
57	60057	TANK	1	BEFORE SERIAL# 709000
	60057A	TANK WITH STRAINER	1	AFTER SERIAL# 709000
57a	60211	STRAINER, SUCTION SIDE, FOR 60057A TANK	1	AFTER SERIAL# 709000
57b	60320	FITTING -12 MJIC x ½" MNPT (NOT SHOWN) USE WITH 60277	1	AFTER SERIAL# 709000
58	10317	LOCKNUT 3/8"-16	1	
59	14446	HHCS M6-1.0 X 12MM LG	2	
60	61060	OIL FILTER HEAD	1	
62	60062	FITTING, 3/8" MJIC - 3/4" MP7	2	
64	60064	HOSE, VALVE TO FILTER	1	
65	61065	OIL FILTER	1	
66	60066	HOSE, FILTER TO PUMP	1	
68	60068	FITTING, 3/8" MJIC-MORB	2	
69	10905	FLAT WASHER 3/8"	1	
70	13888	HHCS 3/8"-16 X 3" LG	1	
71	11834	SHCS M10-1.5 X 16MM	1	
72	60072	SEALING WASHER - 10	1	

PARTS LIST 4 – BUGGY

DUMP VALVE ASSEMBLY

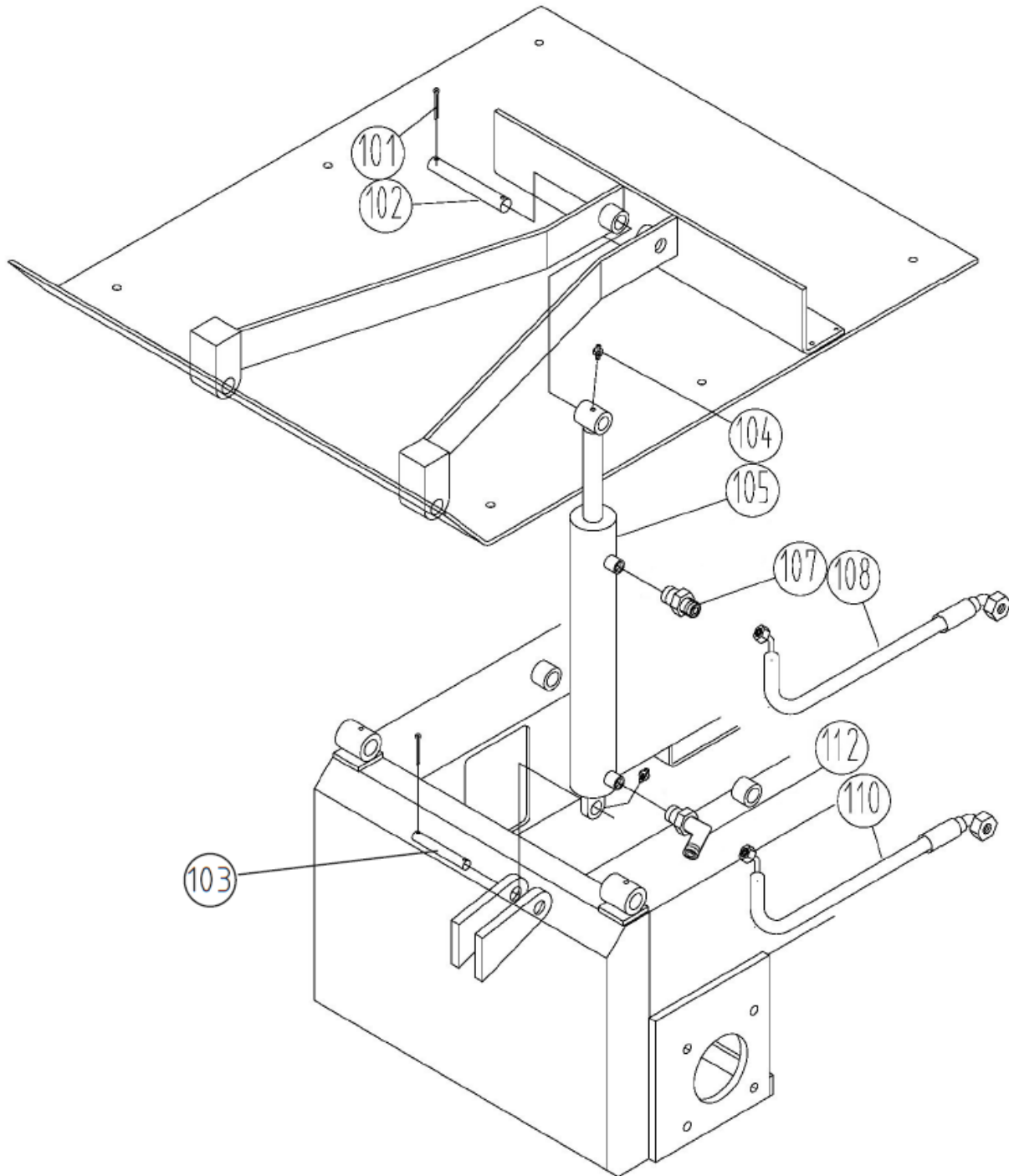


DUMP VALVE ASSEMBLY – PARTS LIST 4

Item #	Part #	Description	QTY	Remarks
2	14447	FLAT WASHER, M6	4	
76	60076	HOSE, PUMP TO DUMP VALVE	1	
77	60077	DUMPING KNOB	1	
78	60078	PIN 6MM X 20MM LG	1	
79	60012	DUMPING LEVER KIT, INCLUDES KNOB AND HARDWARE TO ATTACH TO VALVE	1	BEFORE SERIAL# 708900
	60029	DUMPING LEVER KIT, INCLUDES KNOB AND HARDWARE TO ATTACH TO VALVE	1	AFTER SERIAL# 708900
80	60080	YOKE END	2	
81	60081	ROD	1	
82	60082	DUMPING PEDAL	1	
83	60138	LOCKNUT M16	4	
84	60084	HHCS M12-1.75 X 130MM LG	1	
86	60086	HEX NUT M10-1.25	1	
89	60089	HHCS, M16-1.5 X 130MM LG	1	
91	12532	HHCS 1/4"-20 X 1 1/2" LG	2	
92	60008	DUMPER CONTROL VALVE KIT, INCLUDES VALVE, FITTINGS AND MOUNTING HARDWARE	1	BEFORE SERIAL# 708900
	60025	DUMPER CONTROL VALVE KIT, INCLUDES VALVE, FITTINGS AND MOUNTING HARDWARE	1	AFTER SERIAL# 708900
94	897462	FITTING, 1/4" MJIC - 1/2" MORB	4	
96	897463	FITTING, 3/8" MJIC - 5/8" MORB	2	BEFORE SERIAL# 708900
120	60120	EDGE PROTECTOR	1	
121	11746	HHCS M6-1.0 X 16MM LG	2	
160	11620	LOCKWASHER M6	2	
246	60083	C-CLIP 10MM	1	

PARTS LIST 5 – BUGGY

DUMP CYLINDER ASSEMBLY

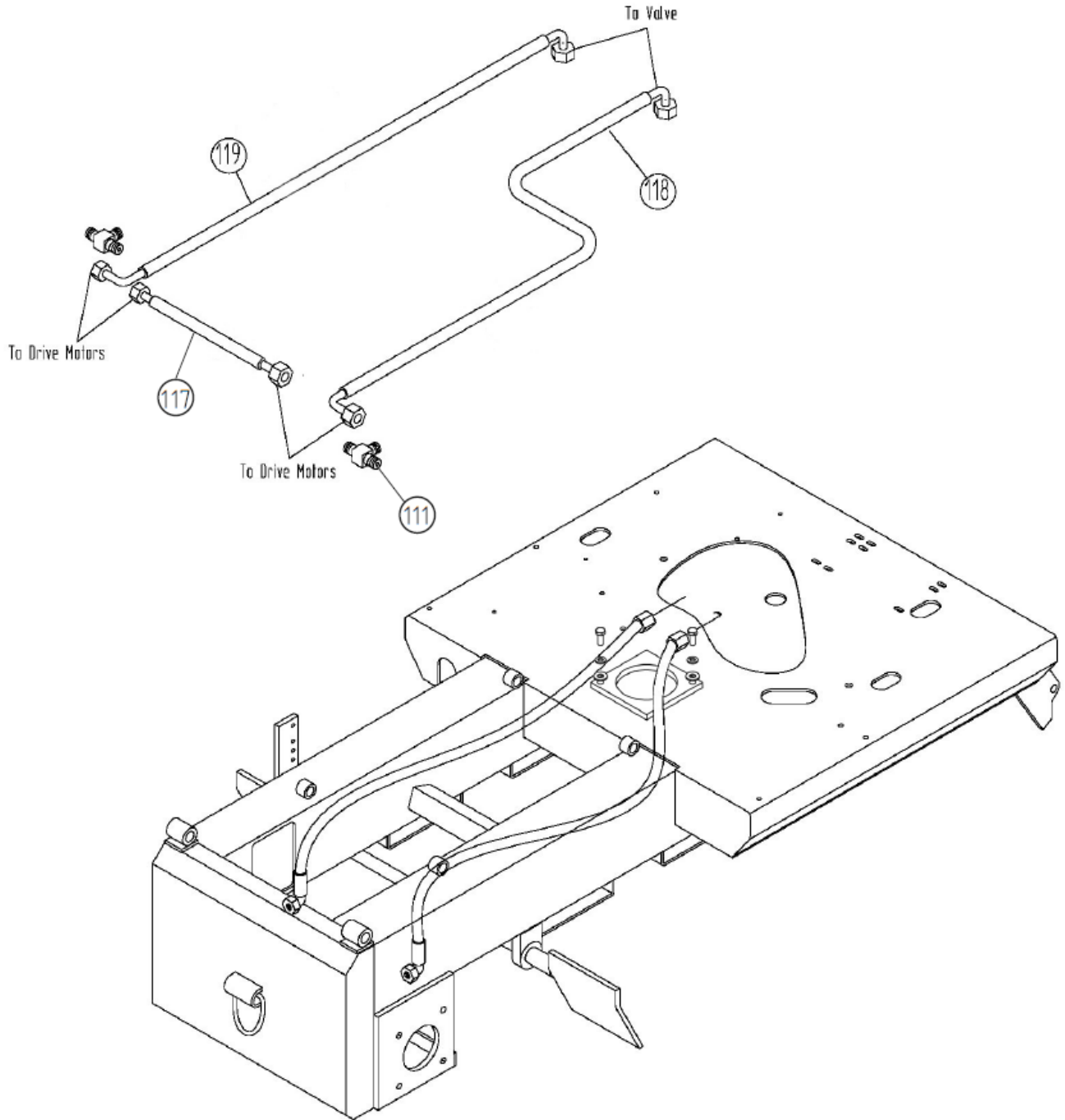


DUMP CYLINDER ASSEMBLY – PARTS LIST 5

Item #	Part #	Description	QTY	Remarks
101	60155	COTTER PIN 2.5MM X 16MM LG	4	
102	60102	DUMP CYL TOP PIN	1	
103	60103	DUMP CYL BOTTOM PIN	1	
104	60104	GREASE FITTING	5	
105	60105	(DB17) HYDRAULIC CYLINDER	1	
105	60305	(DB21) HYDRAULIC CYLINDER	1	
107	60107	FITTING, 1/4" MJIC - 1/4" MPT	2	
108	60108	HOSE, VALVE TO CYL (EXT)	1	
110	60110	HOSE, VALVE TO CYL (RET)	1	
112	60112	FITTING, 45 DEG 1/4" MJIC - 1/4" MPT	1	

PARTS LIST 6 – BUGGY

MOTOR HYDRAULIC LINES

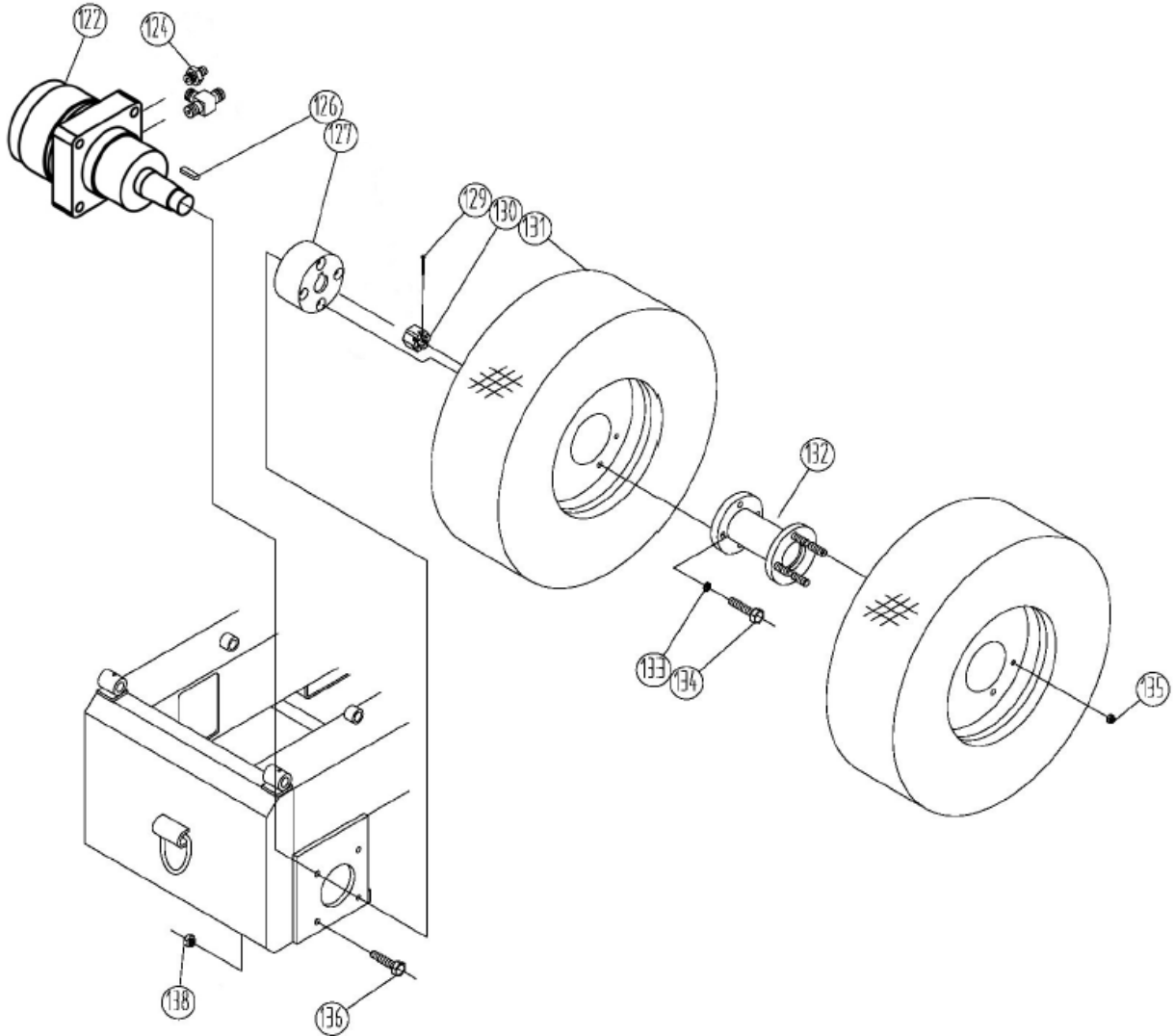


MOTOR HYDRUALIC LINES – PARTS LIST 5

Item #	Part #	Description	QTY	Remarks
111	897466	FITTING 5/8"MJIC -MORB TEE	2	
117	60256	HOSE, MOTOR TO MOTOR	1	
118	60265	HOSE, PUMP TO LEFT MOTOR	1	
119	60266	HOSE, PUMP TO RIGHT MOTOR	2	

PARTS LIST 7 – BUGGY

FRONT WHEEL ASSEMBLY

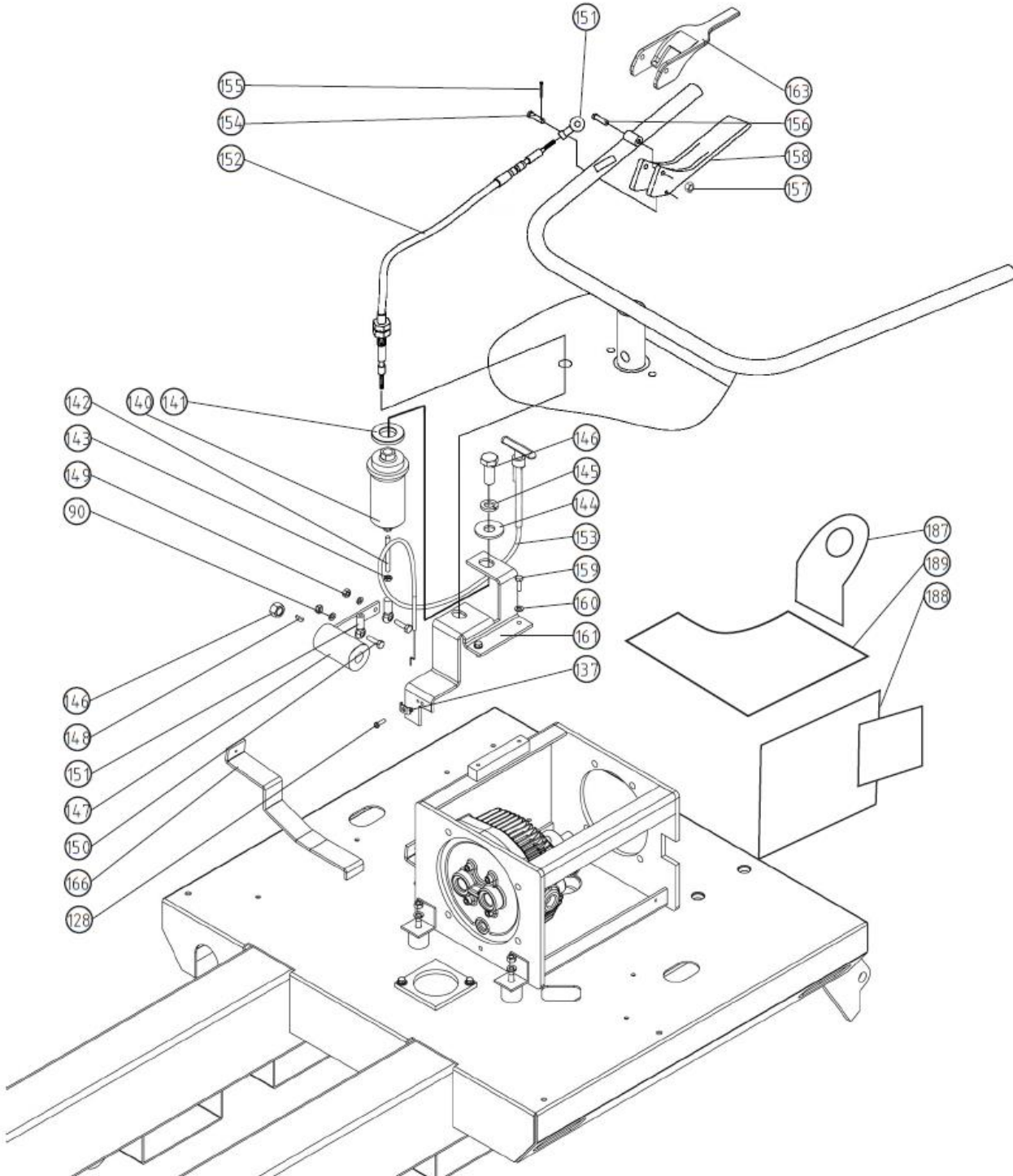


FRONT WHEEL ASSEMBLY – PARTS LIST 7

Item #	Part #	Description	QTY	Remarks
122	760147	HYDRAULIC MOTOR	2	
124	60015	FITTING, 5/8" MJIC - MORB	4	
126		KEY (INCLUDED IN #122)	1	
127	62202	CONNECTION BLOCK	1	
129	60225	COTTER PIN 5MM X 36MM LG	1	
130		CASTLE NUT (INCLUDED IN #122)	1	
131	60053	FRONT WHEEL (FOAM)	4	
131	60051	FRONT WHEEL (AIR)	4	
132	60132	CONNECTION TUBE	2	
133	10735	LOCKWASHER M12	8	
134	60134	HHCS M12-1.75 X 45MM LG	8	
135	60184	TIRE NUT - M12	8	
136	60136	HHCS M16-2 X 50MM LG	8	
138	60138	LOCKNUT M16	8	

PARTS LIST 8 – BUGGY

CONTROL ASSEMBLY

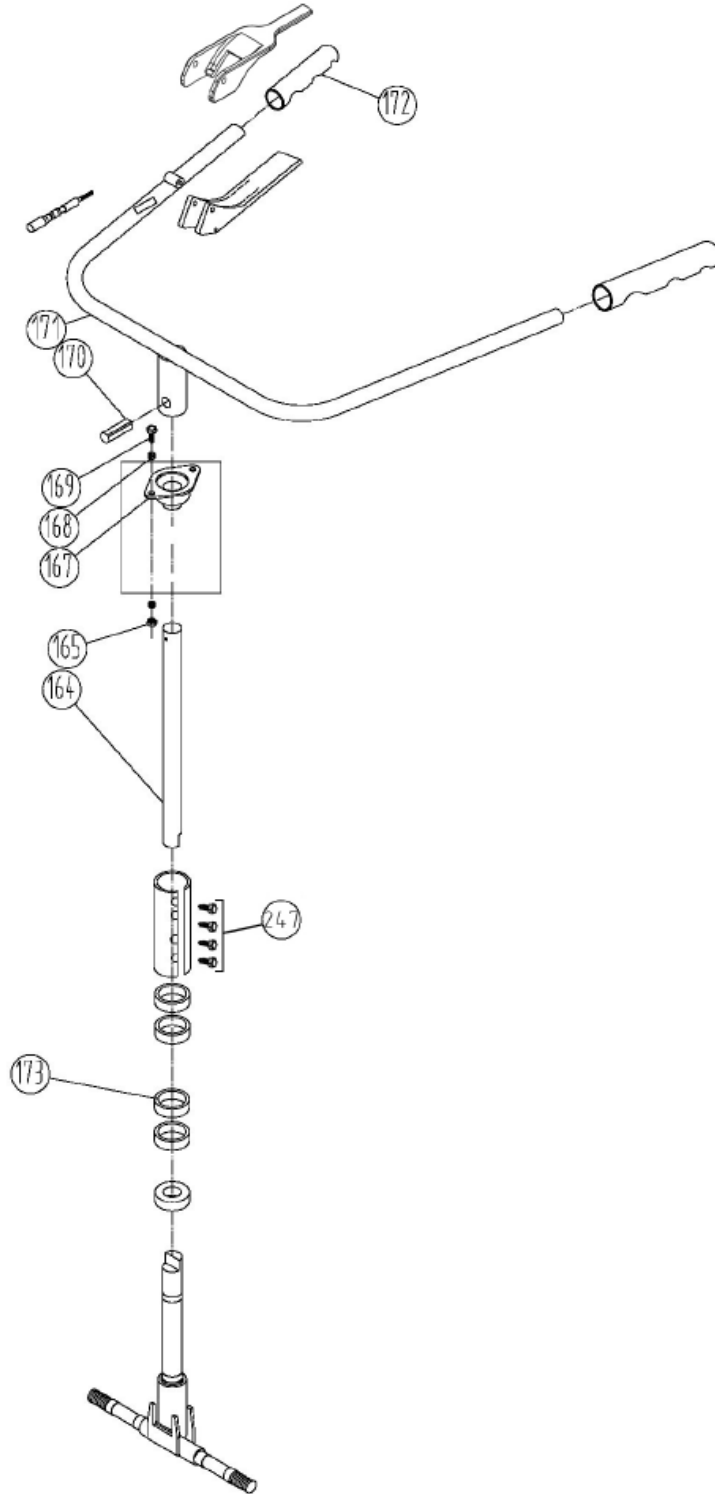


CONTROL ASSEMBLY – PARTS LIST 7

Item #	Part #	Description	QTY	Remarks
90	10521	LOCKWASHER 1/4"	6	
128	10330	HHMS #10-32 X 5/8" LG	1	
137	10556	CLAMP	8	
140	60261	SPRING RETURN	1	
141	60264	SPACER	1	
142	60262	THREADED ROD 1/4"-28 X 3" LG	1	
143	10329	JAM NUT 1/4"-28	1	
144	50351	WASHER 5/8"	1	
145	52256	LOCKWASHER 5/8"	1	
146	12669	HHCS 5/8"-18 X 1 1/2" LG	1	
146	12669	HHCS 5/8"-18 X 1 1/2" LG	1	
147	61147	SPEED CONTROL BRACKET	1	
148	760540	WOODRUFF KEY	1	
149	10581	NUT 1/4-20	2	
150	50316	HHCS 1/4"-20 X 1" LG	2	
151	60263	ROD END	3	
151	60263	ROD END	3	
152	61152	THROTTLE CONTROL CABLE	1	
153	61151	NEUTRAL CONTROL CABLE	1	
154	60154	PIN 6MM X 45MM LG	1	
155	60155	COTTER PIN 2.5MM X 16MM LG	1	
156	10102	HHCS 5/8"-18 X 2 3/4" LG	1	
157	11472	LOCKNUT 5/16"-18	1	
158	60158	FORWARD CONTROL HANDLE	1	
159	51058	HHCS M6-1.0 X 20MM LG	2	
160	11620	LOCKWASHER M6	2	
161	60260	CONTROLS BRACKET	1	
163	61158	REVERSE CONTROL HANDLE	1	
166	60257	NEUTRAL LEVER	1	
187	60187	LIFT BRACKET	1	
188	60188	SIDE GUARD	1	
189	60189	TOP GUARD	1	

PARTS LIST 8 – BUGGY

STEERING ASSEMBLY

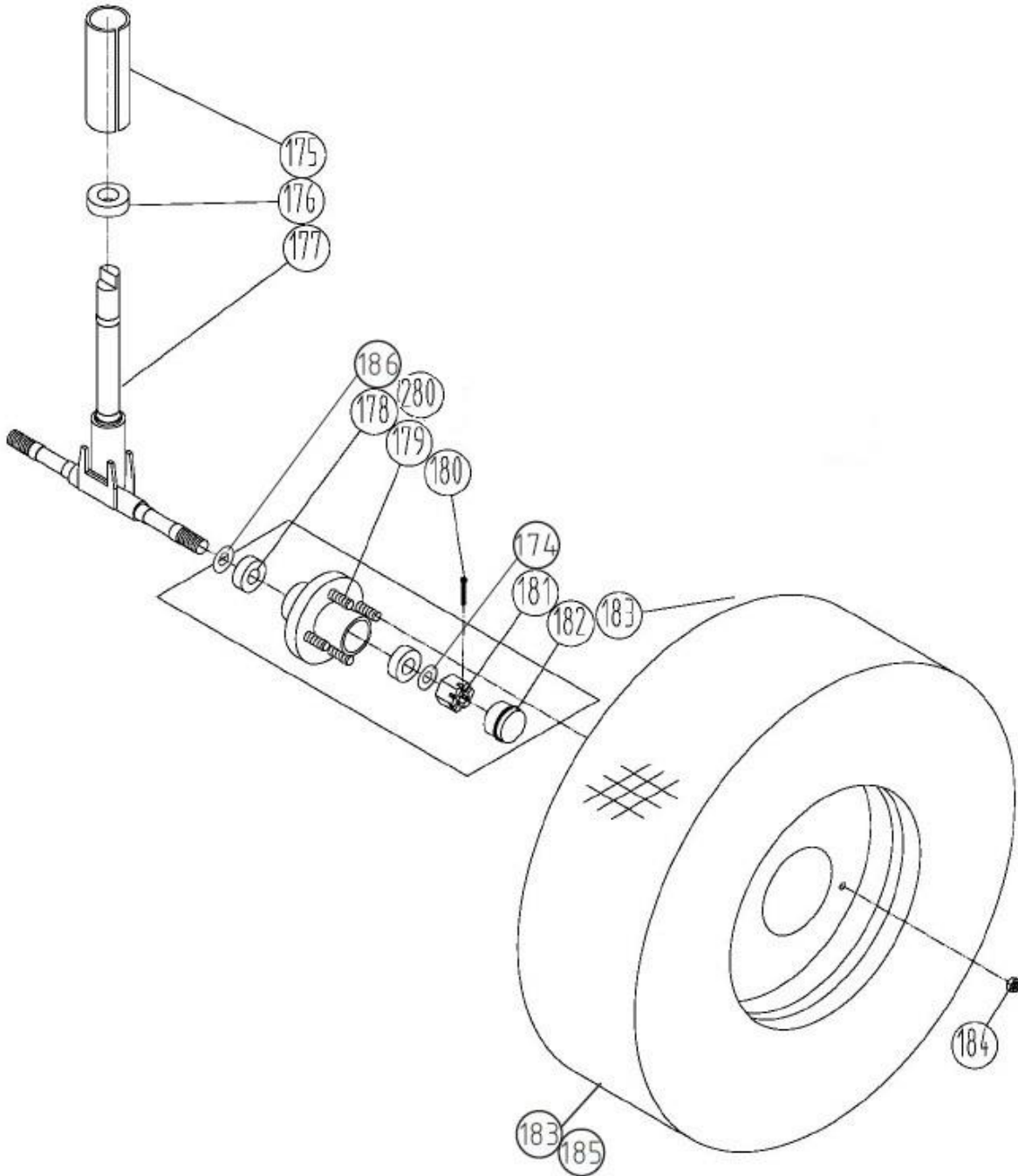


STEERING ASSEMBLY – PARTS LIST 8

Item #	Part #	Description	QTY	Remarks
164	60164	STEERING SHAFT	1	
165	10956	LOCKNUT M12-1.75	2	
167	60167	FLANGE BEARING	1	
168	14267	FLAT WASHER M12	2	
169	10955	HHCS M12-1.75 X 40MM LG	2	
170	61170	SPRING PIN 10MM X 50MM LG	1	
171	60171	STEERING HANDLE	1	
172	60172	HANDLE GRIP	2	
173	60173	BEARING 6907Z	4	
247	10042	SHCS M6 X 20MM	4	

PARTS LIST 9 – BUGGY

REAR WHEEL ASSEMBLY

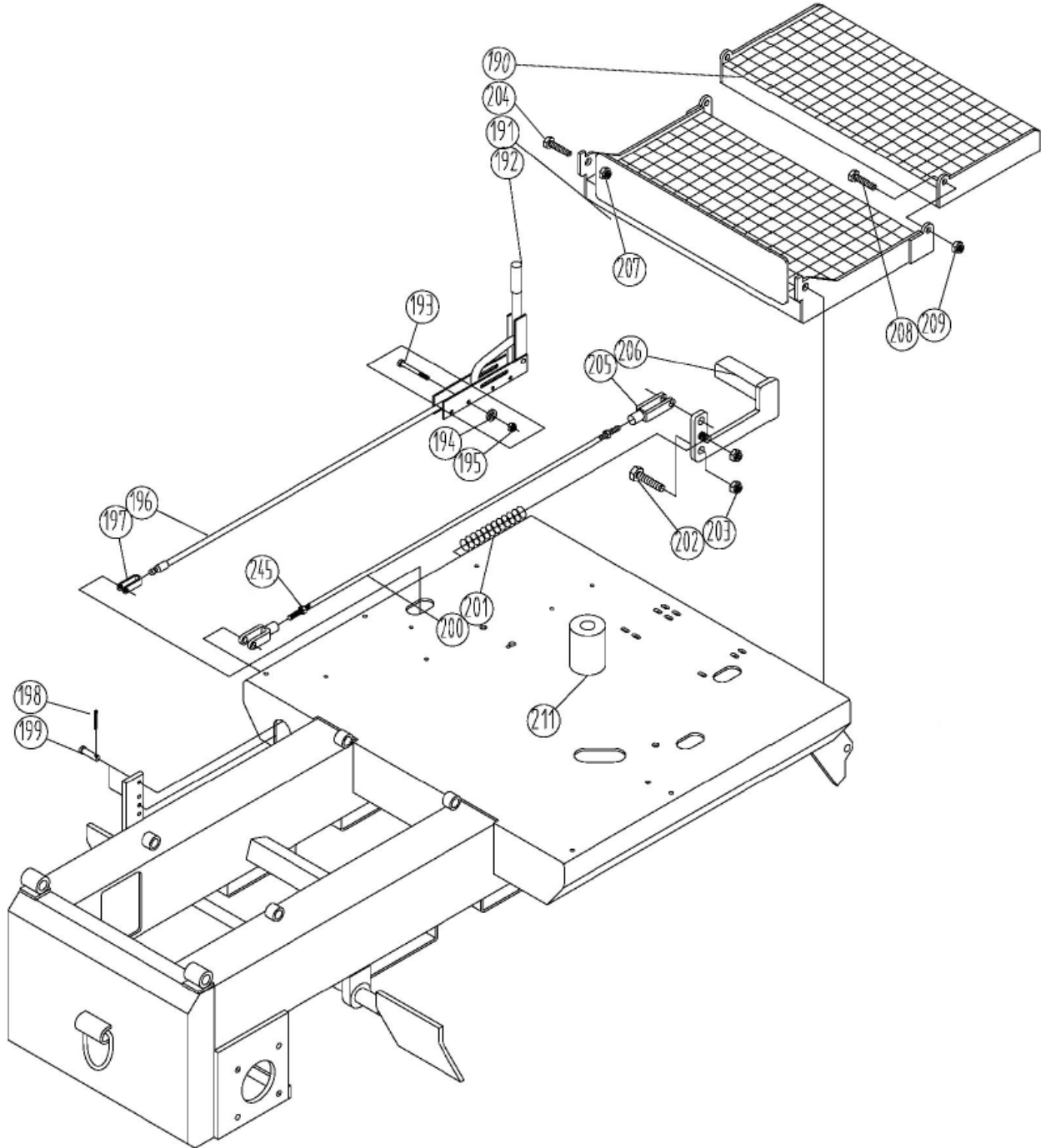


REAR WHEEL – PARTS LIST 9

Item #	Part #	Description	QTY	Remarks
174	60174	BUSHING	1	
175	60175	LOCKING SLEEVE	1	
176	60176	CLUTCH BEARING 688808	1	
177	60177	AXLE	1	
178	60178	BEARING CONE ONLY	4	ITEM 280 is the matching cup
179	60179	HUB	2	
180	60180	COTTER PIN 5MM X 40MM LG	2	
181	60181	CASTLE NUT M24	2	
182	60182	DUST CAP, PLAIN	2	
	60278	DUST CAP WITH GREASE NIPPLE	2	11/8/2018
183	60183	STEERING/REAR TIRE (AIR)	2	
184	60184	WHEEL NUT M12-1.5	8	
185	60185	STEERING/REAR TIRE (FOAM)	2	
186	60186	INNER BEARING HUB SEAL	1	
280	60280	BEARING CUP ONLY	4	ITEM 178 is the matching cone

PARTS LIST 10 – BUGGY

PLATFORM AND BRAKE ASSEMBLY

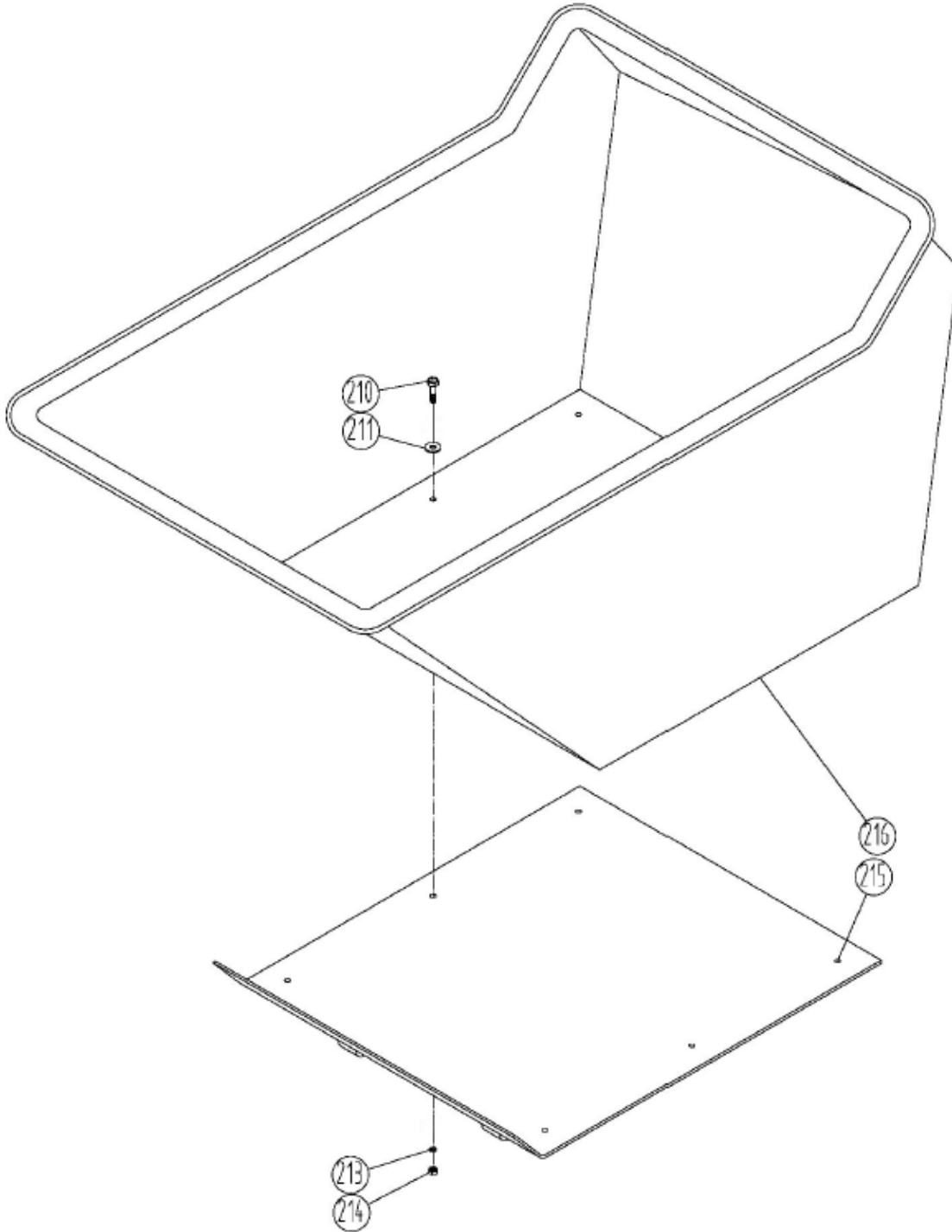


PLATFORM AND BRAKE ASSEMBLY – PARTS LIST 10

Item #	Part #	Description	QTY	Remarks
190	61190	RIDING STAND 1	1	
191	60191	RIDING STAND 2	1	
192	60192	HAND BRAKE	1	
193	10453	HHCS M8-1.25 X 50MM LG	3	
194	11615	LOCKNUT M8-1.25	3	
195	11617	NUT M8-1.25	3	
196	60196	HAND BRAKE CABLE	1	
197	60197	U SHAPE CONNECTOR	2	
198	60198	COTTER PIN 3.2MM X 16MM LG	1	
199	60199	PIN 8MM X 35MM LG	1	
200	61200	ROD	1	
201	62201	SPRING FOOT BRAKE	1	
202	60084	HHCS M12-1.75 X 130MM LG	1	
203	10956	LOCKNUT M12-1.75	2	
204	60830	HHCS M16-1.5 X 40MM LG	2	
205	60205	YOKE END	2	
206	60206	BRAKE PEDAL	1	
207	60138	LOCKNUT M16-1.5	2	
208	31180	HHCS M12-1.75 x 30MM LG	2	
209	10956	LOCKNUT M12-1.75	2	
211	14265	(DB17) FENDER WASHER 1/2"	10	
	14265	(DB21) FENDER WASHER 1/2"	20	
245	31013	HEX NUT M12-1.25	1	

PARTS LIST 11 – BUGGY

BUCKET ASSEMBLY

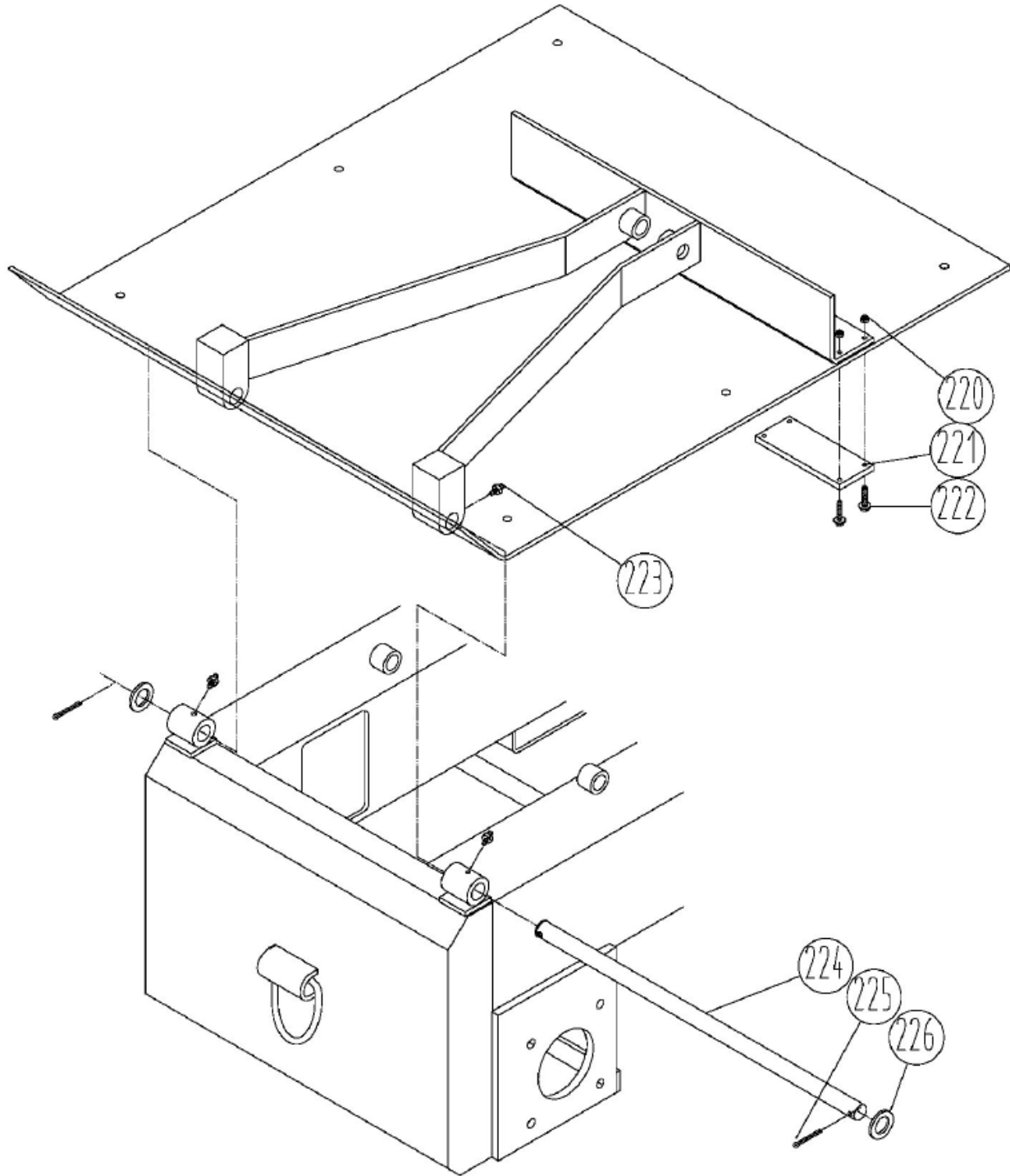


BUCKET ASSEMBLY – PARTS LIST 11

Item #	Part #	Description	QTY	Remarks
210	996266	CARRIAGE BOLT 3/8"-16 X 1 1/4" LG	10	
211	14265	(DB17) FENDER WASHER 1/2"	10	
211	14265	(DB21) FENDER WASHER 1/2"	20	
213	10902	LOCK WASHER 3/8"	9	
214	10901	NUT 3/8"-16	9	
215	60215	BUCKET SUPPORT PLATE	1	
216	512120	(DB17) BUCKET PLASTIC	1	
	60020	(DB21) BUCKET STEEL	1	

PARTS LIST 12 – BUGGY

PLATFORM ASSEMBLY

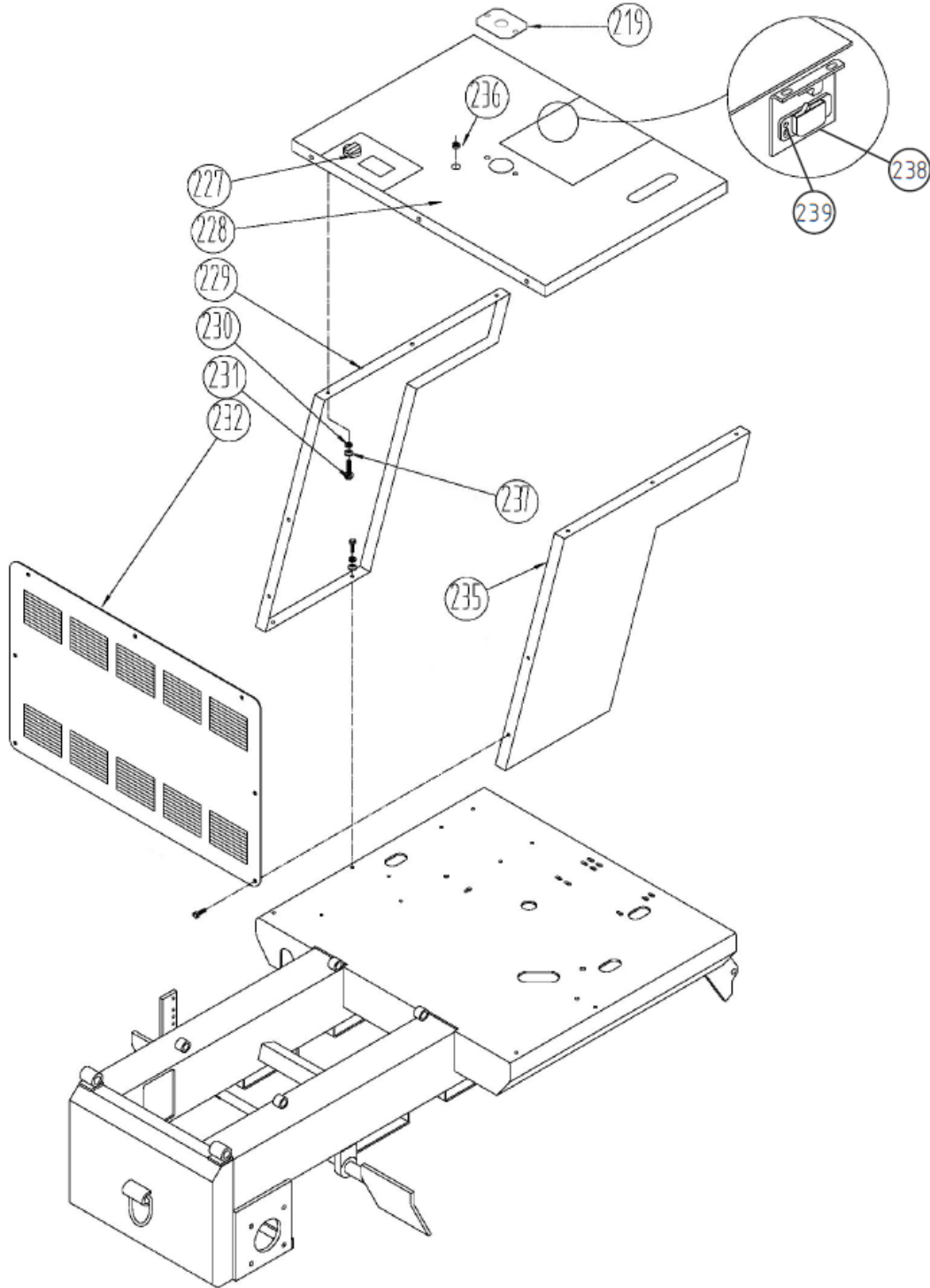


PLATFORM ASSEMBLY – PARTS LIST 12

Item #	Part #	Description	QTY	Remarks
220	30843	LOCKNUT M5-0.8	8	
221	60221	POLY CUSHION PLATE	2	
222	60222	HHCS M5-0.8 X 25MM LG	8	
223	60104	GREASE FITTING	4	
224	60224	ROD	1	
225	60225	COTTER PIN 5MM X 36MM LG	2	
226	60226	FLAT WASHER M22	2	

PARTS LIST 13 – BUGGY

ENGINE COMPARTMENT ASSEMBLY

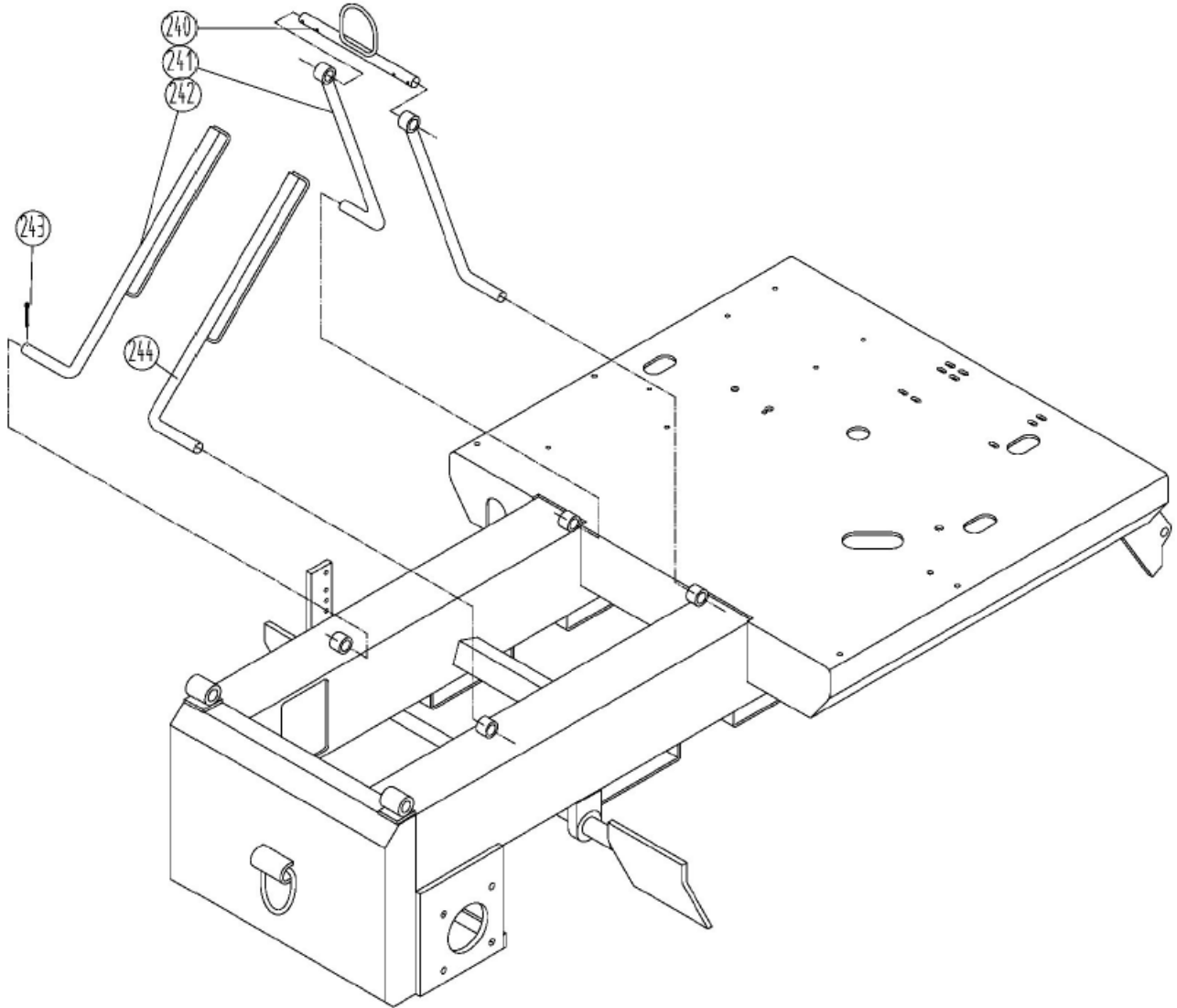


ENGINE COMPARTMENT ASSEMBLY – PARTS LIST 13

Item #	Part #	Description	QTY	Remarks
219	60255	MOUNTING PLATE	1	
227	60227	KNOB	1	
228	60228	OPERATION PANEL	1	
229	60229	RIDE SIDE PANEL	1	
230	11043	FLAT WASHER 1/4"	10	
231	11619	HHCS M8-1.25 X 25MM LG	17	
232	60232	VENTILATION PANEL	1	
235	60235	LEFT SIDE PANEL	1	
236	60236	GROMMET	1	
237	11614	LOCKWASHER M8	17	
238	60238	DOOR MAGNET	3	
239	60329	FHMS M4-0.7 X 10MM LG	6	

PARTS LIST 14 – BUGGY

LIFTING POINT ASSEMBLY



LIFTING POINT ASSEMBLY – PARTS LIST 14

Item #	Part #	Description	QTY	Remarks
240	60240	HANDLE	1	
241	60241	SUPPORT ROD A	2	
242	60242	SUPPORT ROD B	1	
243	60180	COTTER PIN 5MM X 40MM LG	2	
244	60244	SUPPORT ROD C	1	

BARTELL

BARTELL GLOBAL



Bartell Morrison Inc.
170 Traders Blvd E
Mississauga, Ontario, Canada
L4Z 1W7
Tel: 1-647-953-4100
Fax: 1-647-953-4101



Bartell Morrison (USA) LLC
200 Commerce Drive, Unit A
Freehold, New Jersey, USA
07728
Tel: 1-848-225-8100
Fax: 1-848-225-8101



Innovatech
4701 Allmond Ave
Louisville, Kentucky, USA
40209
Tel: (425) 405-9100
Fax: (425) 405-9101



SPE International
Honeyholes Lane
Dunholme, Lincoln, UK
LN2 3SU
Tel: +44 (0)1673 860709
Fax: +44 (0)1673 861119



**BARTELL
GLOBAL**

**5 BRANDS - 1 SOURCE FOR
GREAT EQUIPMENT**
BARTELL morrison   

BARTELLGLOBAL.COM