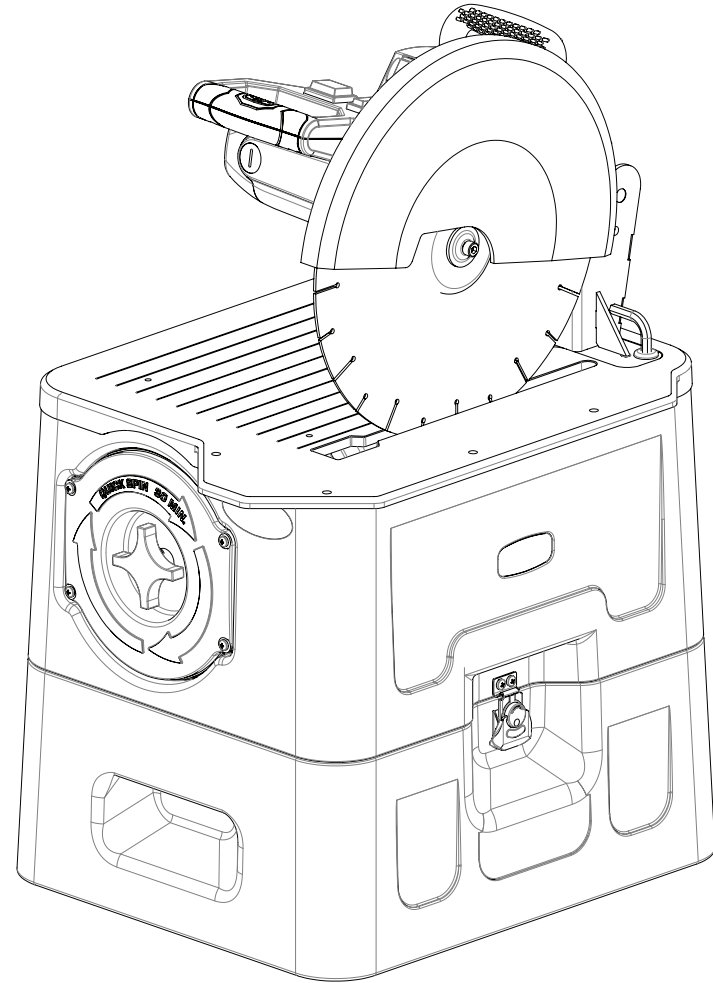




POWER TOOLS™

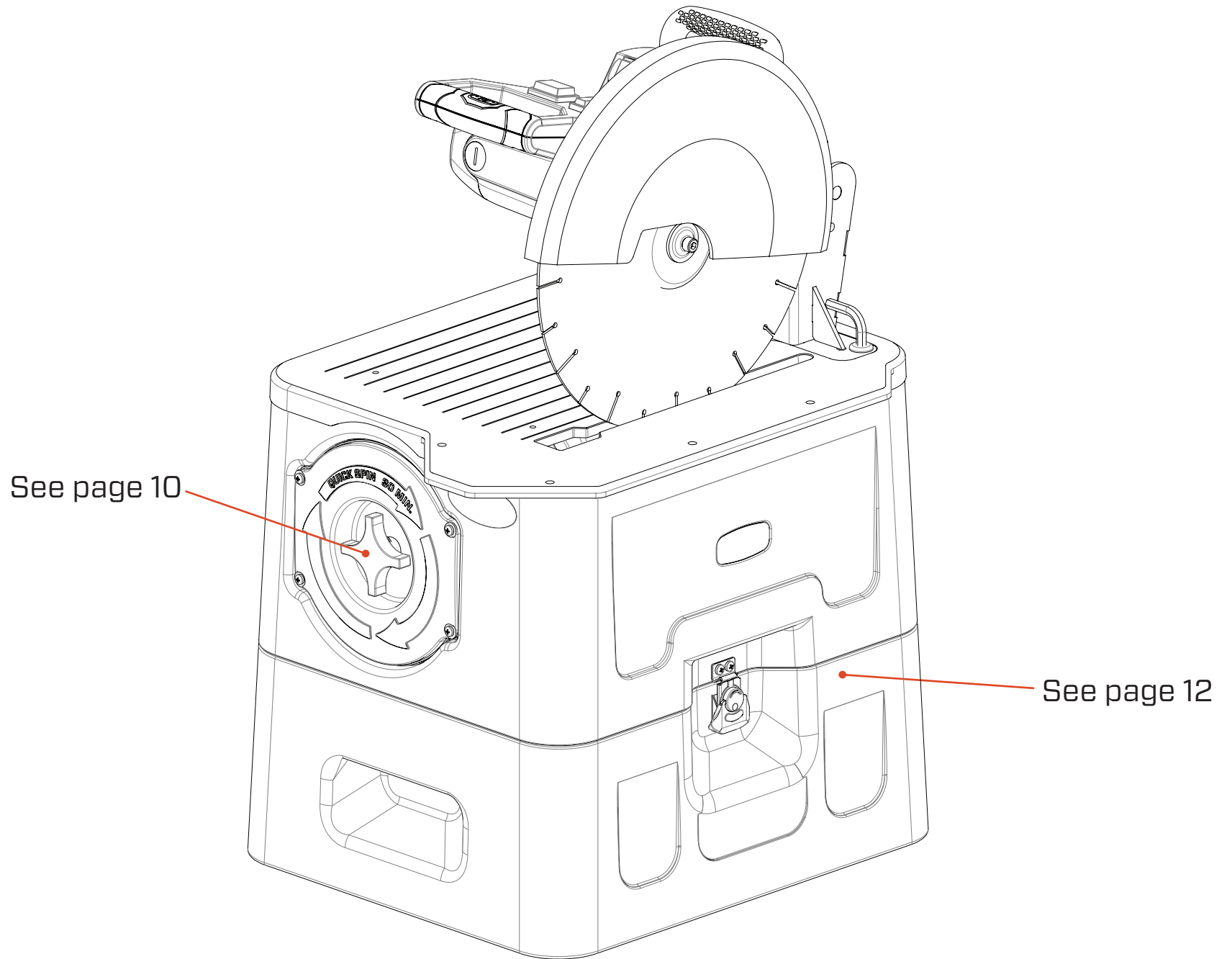
iQ360XT 120V

Parts Manual

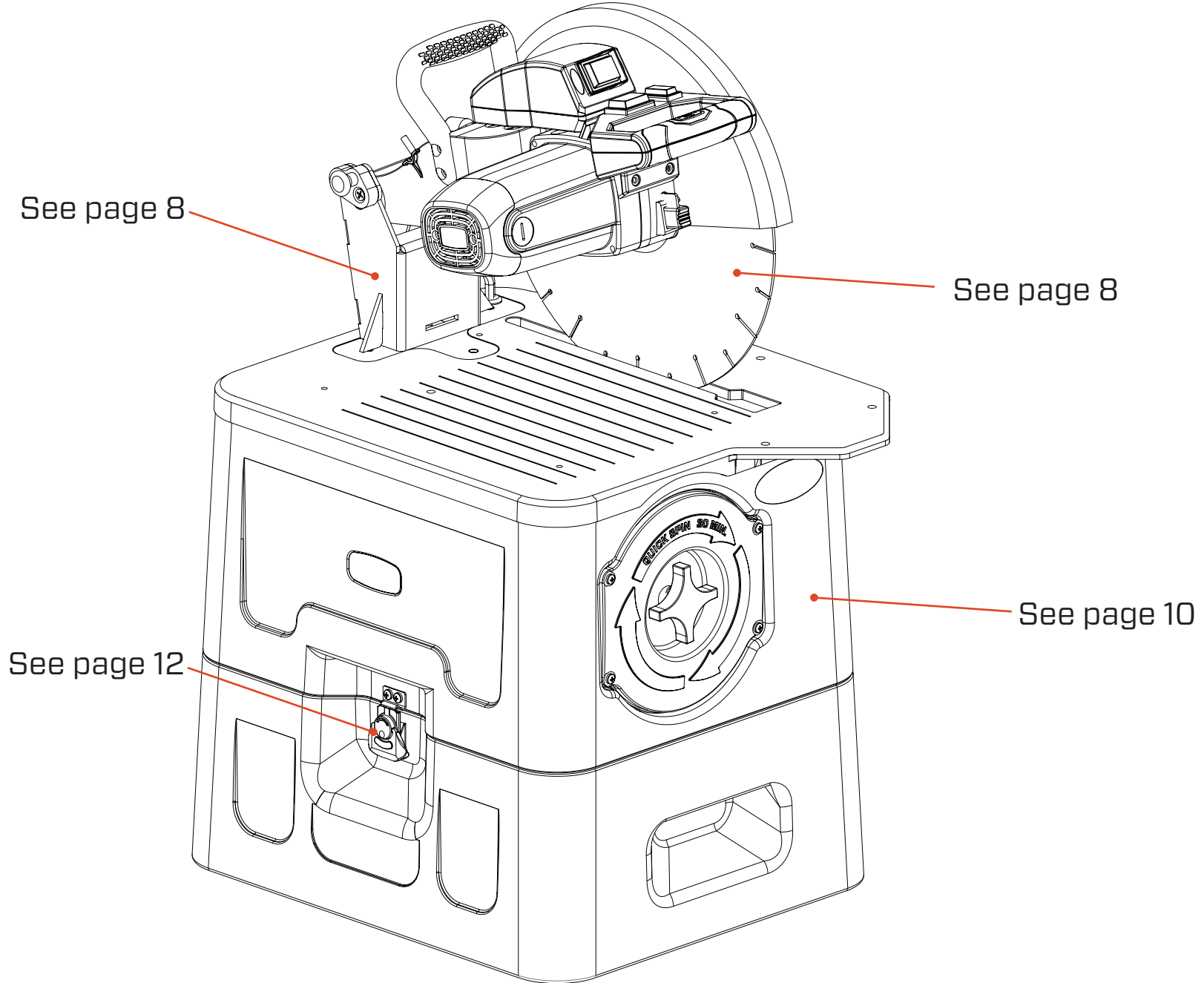


M-iQ360XT-001-PM08042020

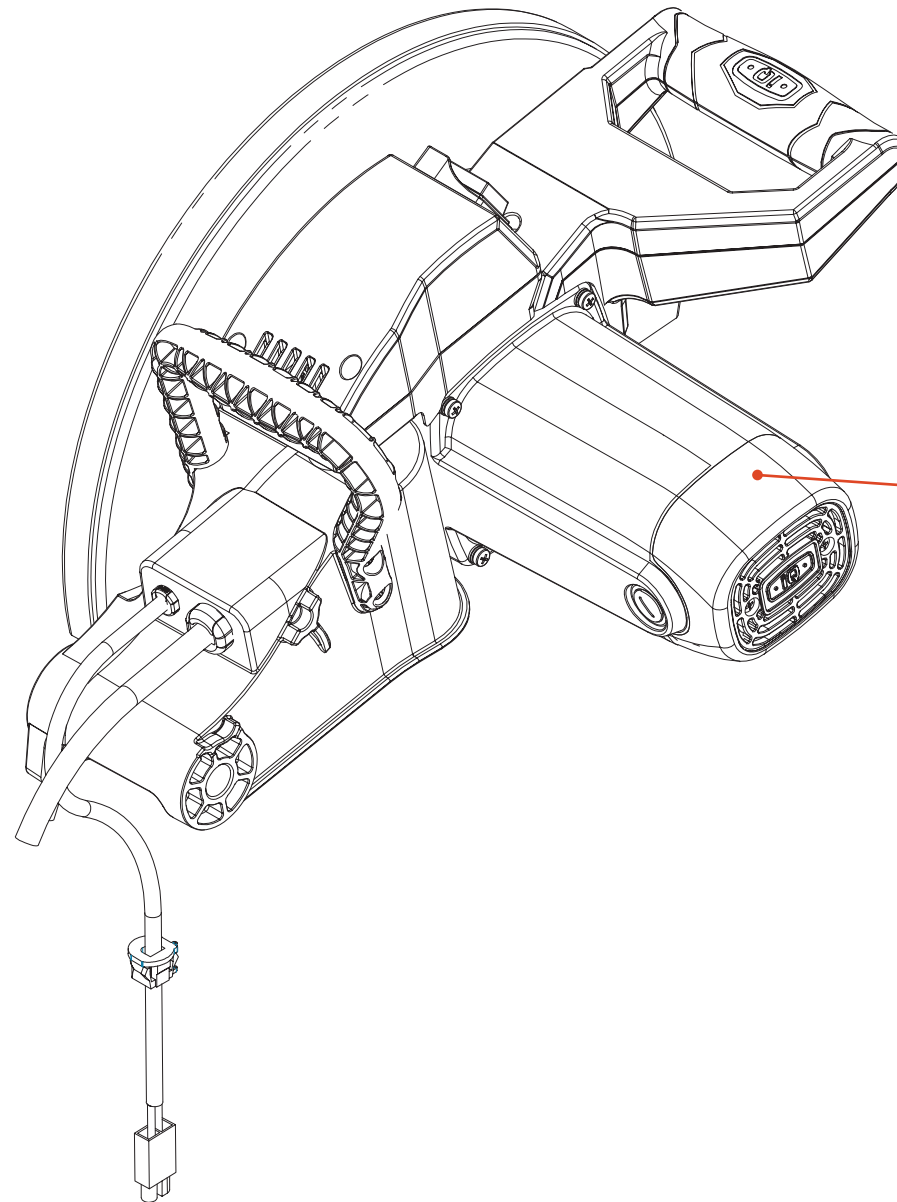
FRONT ANGLED VIEW



BACK ANGLED VIEW

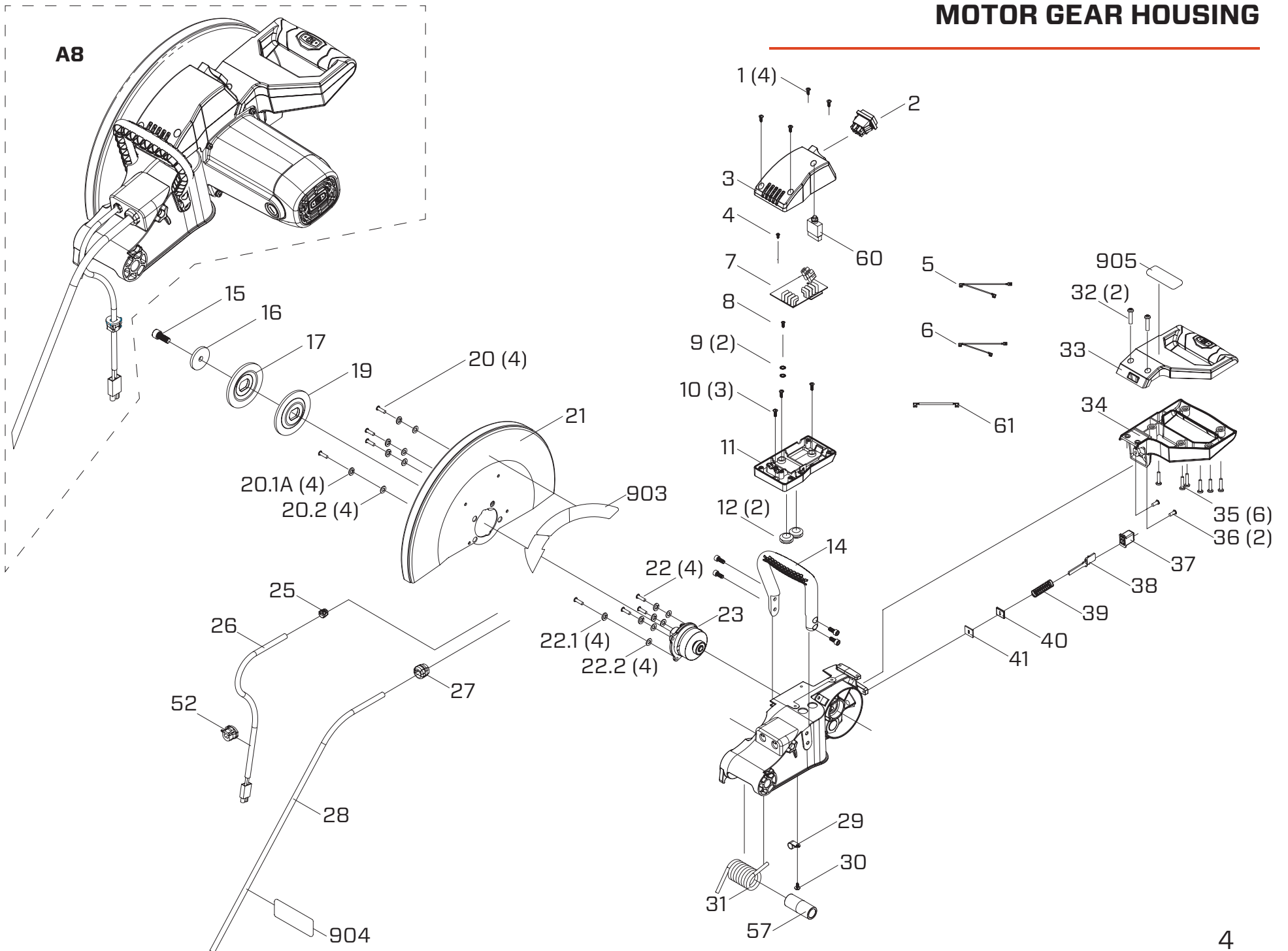


MOTOR GEAR HOUSING



See page 4

MOTOR GEAR HOUSING

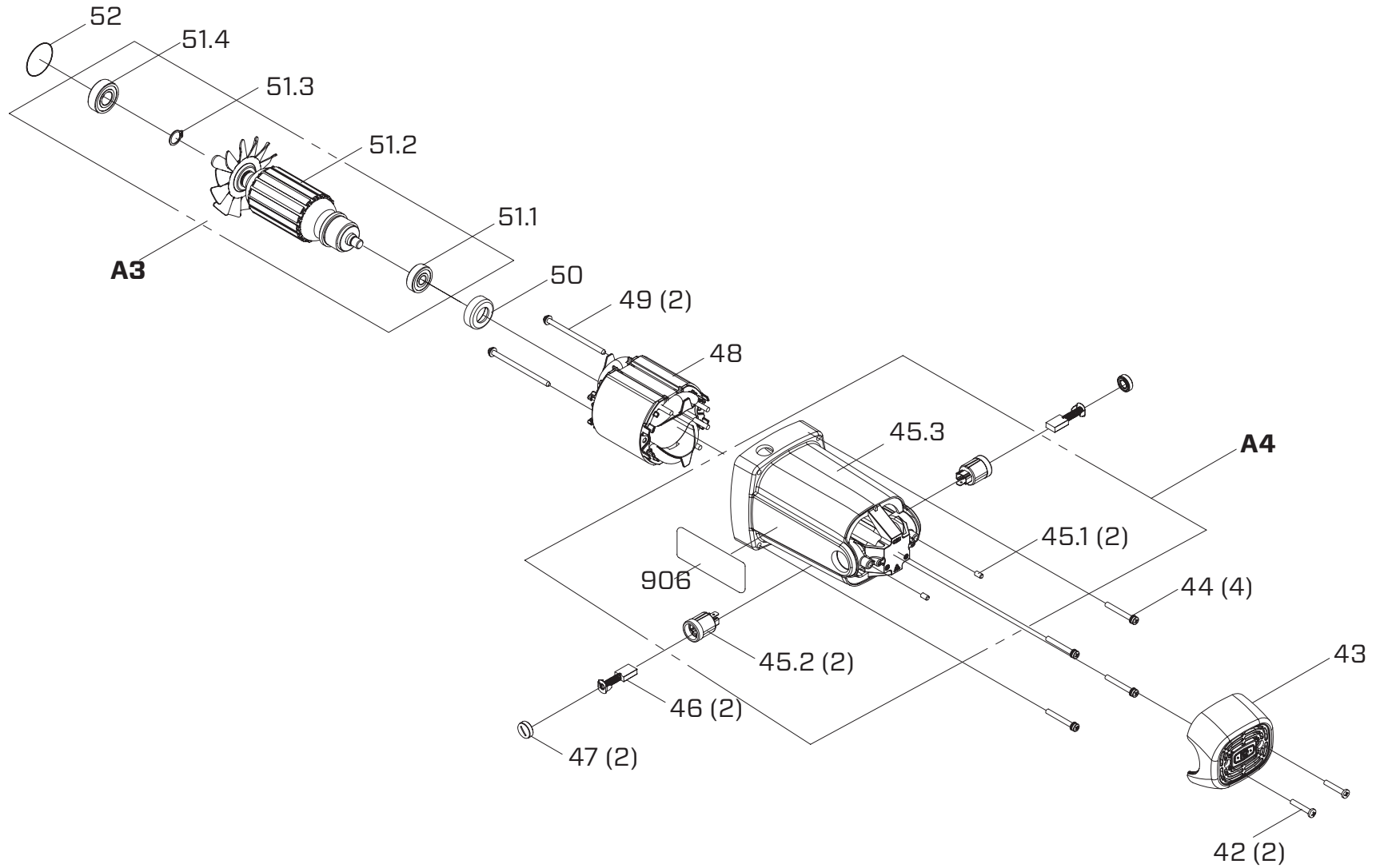


MOTOR GEAR HOUSING

ASSEMBLY KIT / SET	ITEM NO	QTY	PART NO	DESCRIPTION
A8	A8	1	0360-62002-02	iQ360XR 120v Saw Motor
K5	K5	1	036-90006-01	Hardware Kit
	1	4		Tap Screw
	4	1		Tap Screw
	8	1		Tap Screw
	9	1		Washer
	10	3		Tap Screw
	2	1	0360-62074-01	Main Power Switch 120v
K16	K16	1	0360-90026-01	Control Box Kit (Top & Bottom)
	3	1		Control Box Top
	11	1		Control Box Bottom
K6	K6	1	0360-90007-01	Jumper Wire Kit
	5	1		Jumper Wire
	6	1		Jumper Wire
	7	1	0360-62079-02	PCB Module 120v
SET	12	1	0244-90087-01	Cord Ring (Set of 2)
SET	13	1	0360-90024-01	Screw (Set of 4)
	14	1	0360-62086-01	Carry Handle
K2	K2	1	0360-90003-01	Outer Flange Hardware Kit
	15	1		Hex Screw with Washer
	16	1		Outer Flange Washer
	17	1	0360-62089-01	Flange, Out (Black oxide)
	19	1	0360-62091-01	Flange, In (Black oxide)
K7	K7	1	0360-90008-01	Hardware Kit
	20	4		Tap Screw
	20.1	4		S Washer
	20.2	4		Washer
	21	1	0360-62095-01	Blade Guard Cover

ASSEMBLY KIT / SET	ITEM NO	QTY	PART NO	DESCRIPTION
K8	K8	1	0360-90009-01	Hardware Kit
	22	4		Tap Screw
	22.1	4		S Washer
	22.2	4		Washer
A5	A5	1	0360-62099-01	Arbor Assembly
	24	1	0360-62109-01	Gear Housing
K9	K9	1	0360-90010-01	Cord Strap Kit
	25	1		Strain Relief
	27	1		Strain Relief
	29	1		Cable Clamp
	30	1		Tap Screw
	26	1	0360-62111-01	Vacuum Power Wire with Terminal
	28	1	0360-62113-01	Main Power Cord 120v
	31	1	0360-62116-01	Axle Spring
K10	K10	1	0360-90011-01	Handle Hardware Kit
	32	2		Tap Screw
	35	6		Tap Screw
	36	2		Tap Screw
K11	K11	1	0360-90001-01	Saw Motor Main Handle
	33	1		Main Handle Up
	34	1		Main Handle Down
K12	K12	1	0362-90015-01	Spindle Lock Hardware Kit
	37	1		Spindle Lock Cover
	38	1		Spindle Lock
	39	1		Compress Spring
	40	1		Seal Pad
	41	1		Felt Seal
	57	1	0360-62152-01	Torsion Spring Sleeve
	59	1	0360-60002-02	Cord Grip

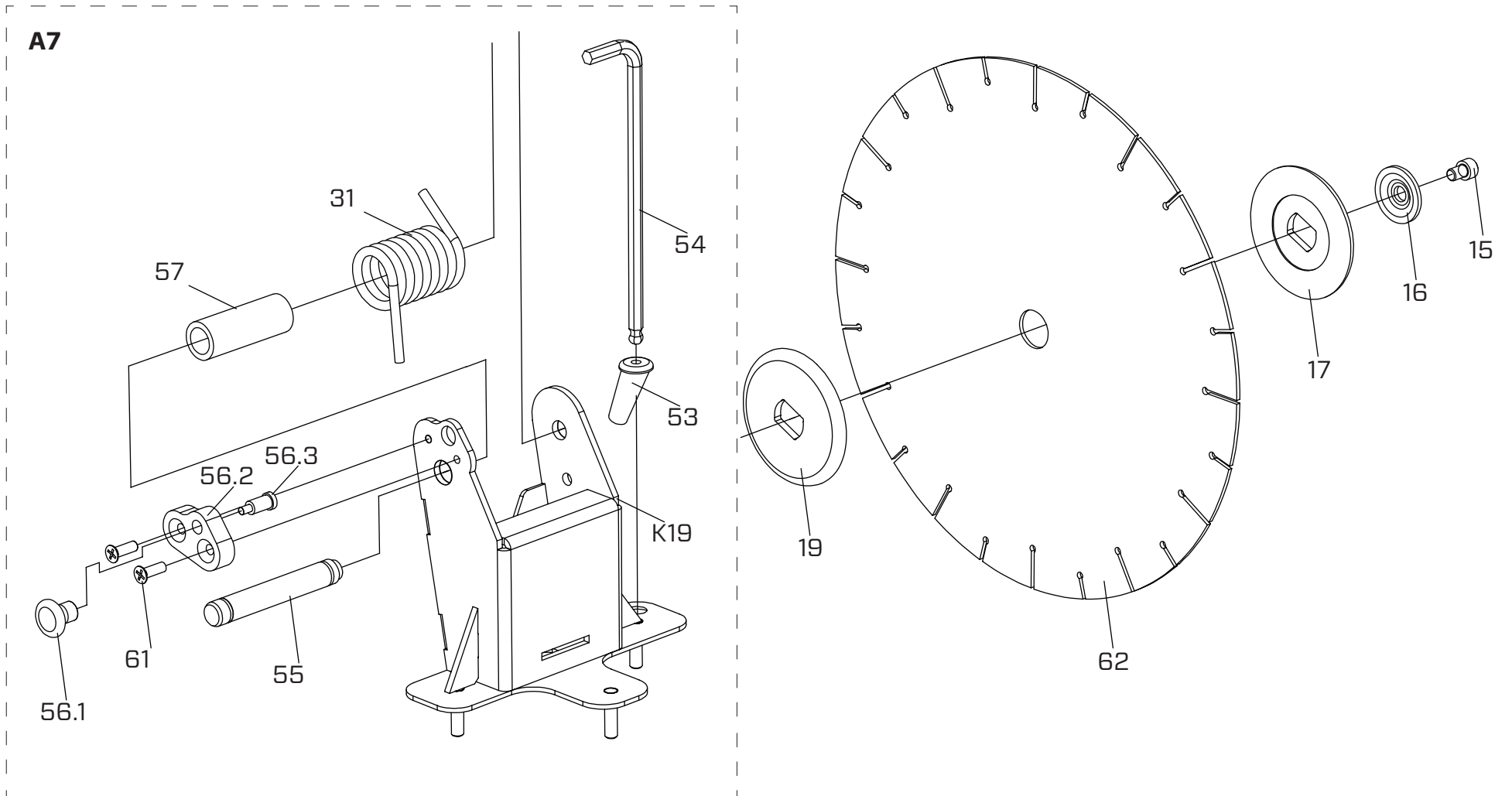
MOTOR ASSEMBLY



MOTOR ASSEMBLY

ASSEMBLY KIT / SET	ITEM NO	QTY	PART NO	DESCRIPTION
SET	42	1	0244-90068-01	Tap Screw (Set of 2)
	43	1	0360-62128-01	End Cover
SET	44	1	0244-90085-01	Screw (Set of 4)
A4	A4	1	0360-62130-02	Motor Housing Assembly
SET	46	1	0360-90014-01	Saw Motor Brush (Set of 2)
SET	47	1	0360-90015-01	Brush Cover (Set of 2)
	48	1	0360-62136-01	Stator (120v)
SET	49	1	0360-90019-01	Screw w/ Washer (Set of 2)
	50	1	0360-62138-01	Bearing Bushing
A3	A3	1	0360-62139-01	Armature Assembly 120v
	52	1	0360-62144-01	O-ring (Black)

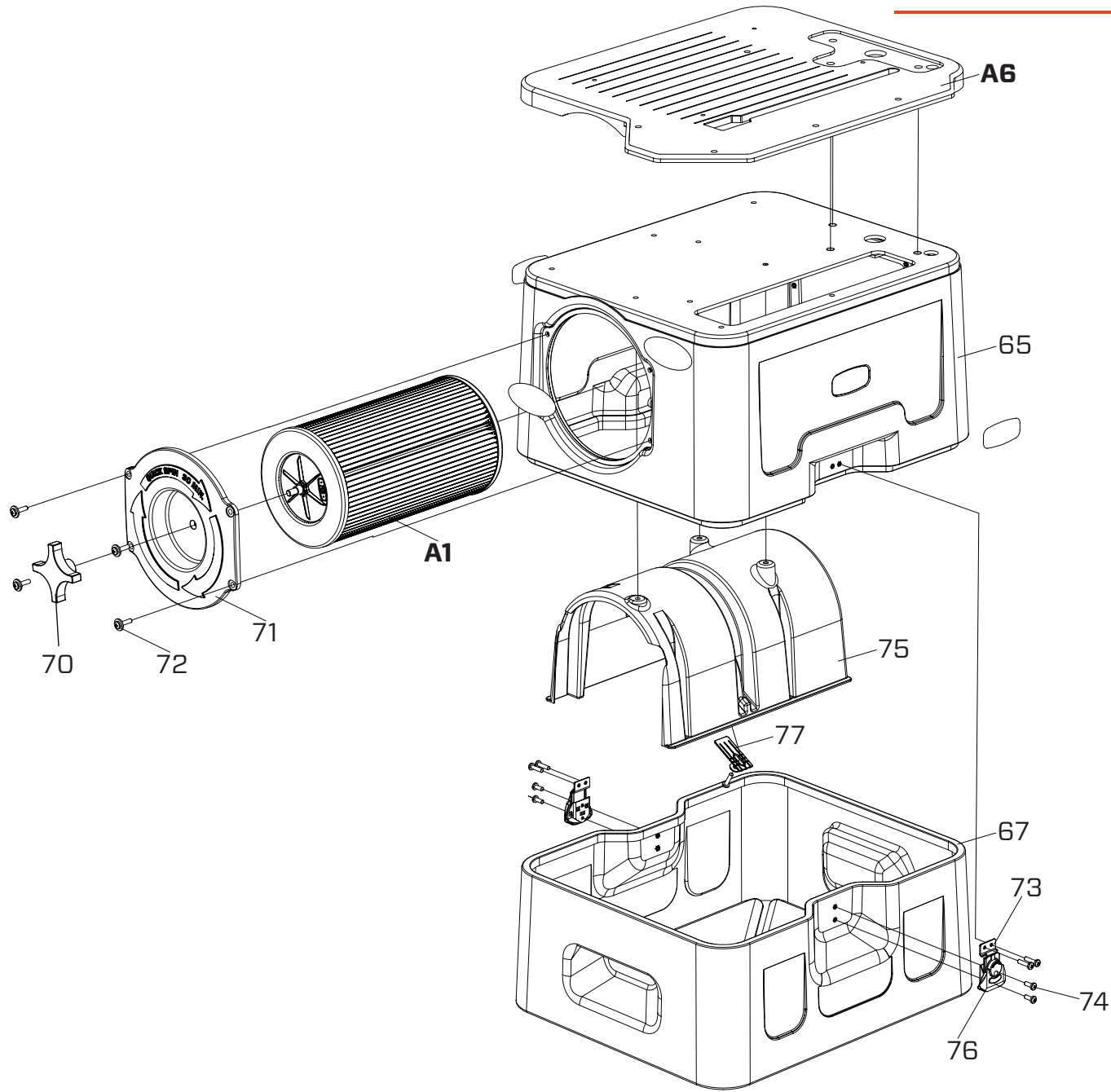
SAW MOUNT



SAW MOUNT

ASSEMBLY KIT / SET	ITEM NO	QTY	PART NO	DESCRIPTION
A7	A7	1	0360-00130-01	Saw Mount Assembly
	54	1	0360-62146-01	Blade Allen Wrench
	53	1	0360-62145-01	Rubber Sleeve
	31	1	0360-62116-01	Axle Spring
	57	1	0360-62152-01	Torsion Spring Sleeve
	55	1	0360-62058-01	Saw Mount Shaft
K1	K1	1	0360-62148-01	Shaft Retainer Plate Assembly
	56.1	1		Lock Pin Knob
	56.2	1		Shaft Retainer Plate
	56.3	1		Lock Pin
SET	61	1	0360-90030-01	Flat Head Screw (Set of 2)
	19	1	0360-62091-01	Flange, inside (Black oxide)
	17	1	0360-62089-01	Flange, outside (Black oxide)
K2	K2	1	0360-90003-01	Outer Flange Hardware Kit
	16	1		Outer Flange Washer
	15	1		Hex Screw w/Washer
	62	1	MAS14-125AG	Masonry Blade 14" x 1.25 - Gold
K19	K19	1	0360-90036-01	Shaft Stopper Hardware Kit
	106	1		Cap Screw
	107	1		Aluminium Sleeve
	108	1		Nylon Nut

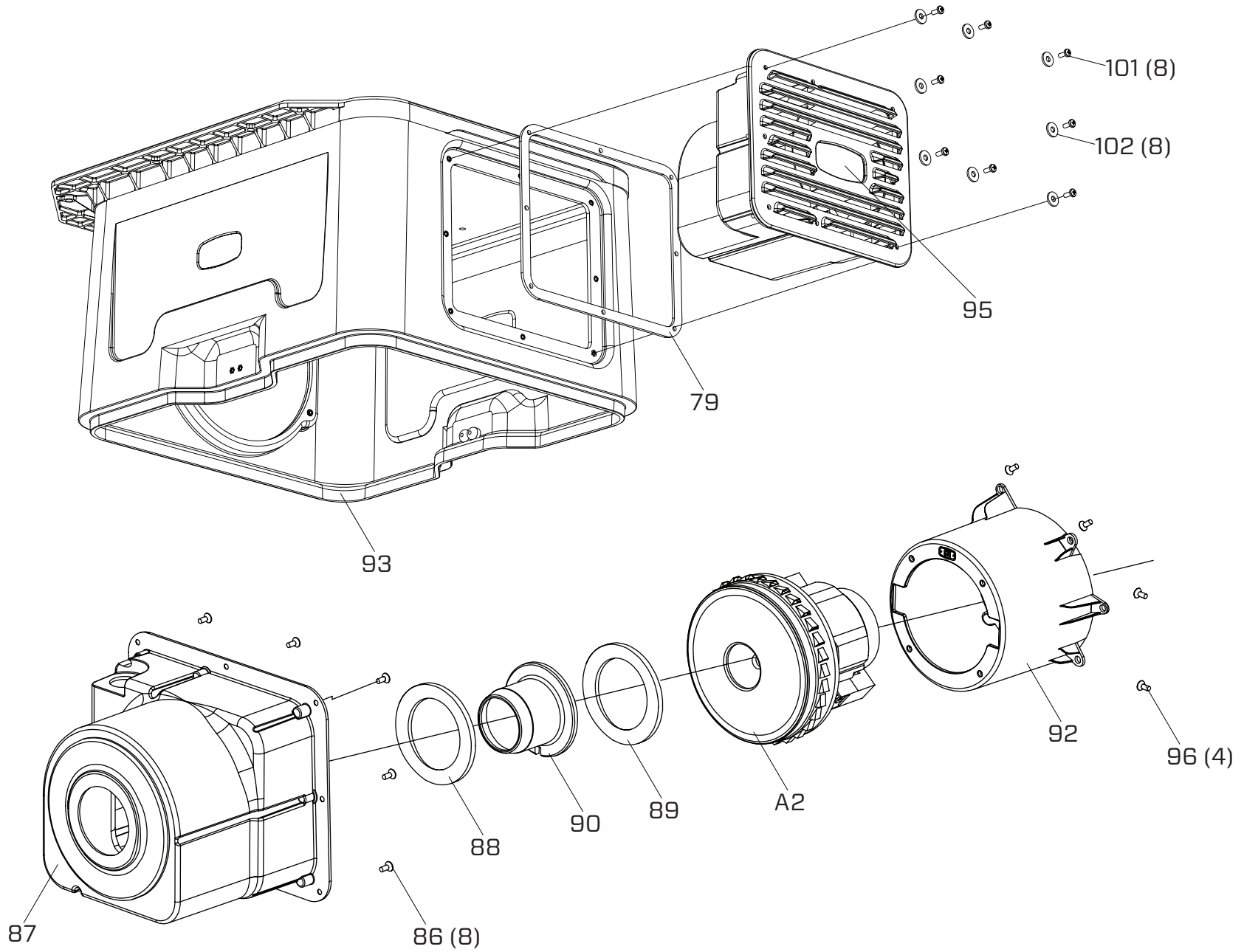
MAIN HOUSING



MAIN HOUSING

ASSEMBLY KIT / SET	ITEM NO	QTY	PART NO	DESCRIPTION
A6	68	1	0360-90017-01	Top Deck Assembly
A9	65	1	0360-90031-01	Upper Vacuum Housing Assembly
	67	1	0360-00003-03	Dust Collection Tub
	75	1	0360-00145-01	Filter Shield
A1	A1	1	0360-25001-01	Replacement Filter Assembly
	71	1	0360-00148-01	Filter Access Panel
	70	1	0244-00355-01	Filter Spin Knob
SET	72	1	0360-90032-01	Screw (Set of 4)
	73	2	0360-08002-01	Draw Catch
SET	74	1	0360-90033-01	Screw (Set of 4)
	76	2	0360-08001-01	Rotary Draw Latch
K22	K22	1	0360-90040-01	Rotary Draw Catch/Latch Kit
	73	1		Draw Catch
	74	4		Screw
	76	1		Rotary Draw Latch
K14	K14	1	0360-90022-01	Filter Tab Hardware Kit
	77	1		Filter Clean Tab
	97.1	1		Flat Washer
	97.2	1		Washer
	97.3	1		Screw

LOWER FRAME ASSEMBLY



LOWER FRAME ASSEMBLY

ASSEMBLY KIT / SET	ITEM NO	QTY	PART NO	DESCRIPTION
A2	A2	1	0360-90100-01	Vacuum Motor Assembly 120V
	93	1	0360-00147-01	Vacuum Motor Cover
	95	1	0360-00095-01	Filter Foam
K24	K24	1	0360-90042-01	Vacuum Motor Mount Kit
	92	1		Vacuum Motor Mount
	96	4		Screw
K17	K17	1	0360-90034-01	Vacuum Motor Mount Hardware Kit
	101	8		Screw
	102	8		Flat Washer
K23	K23	1	0360-90041-01	Vacuum Motor Housing Kit
	87	1		Vacuum Motor Housing
	79	1		Vacuum Motor Housing Gasket
K18	K18	1	0360-90035-01	Hardware Kit
	103	3		Round Head Screw
	104	3		Washer
	105	3		Flat Washer
	89	1	0360-00089-01	Vacuum Motor Seal Gasket
K13	K13	1	0360-90020-01	iQ360XT Filter Spindle Kit
	90	1		Filter Spindle
	88	1		Filter Spindle Seal Gasket
K15	K15	1	0360-90023-01	Vacuum Motor Hardware Kit
	80	1		Crimp Terminal, Connectors
	81	1		Crimp Terminal, Housing
	78	2		Cable Seal
SET	86	1	0360-90037-01	Vacuum Motor Housing Hardware Kit (Set of 8)

LABELS



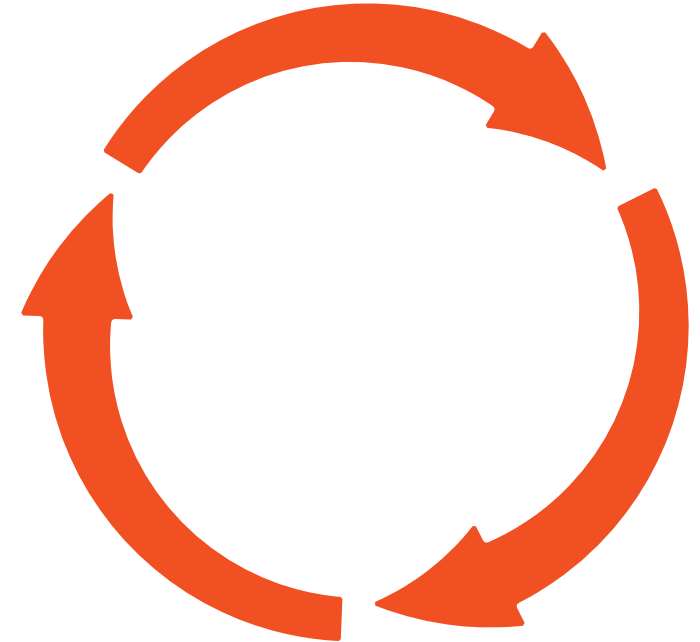
911



903



910



908



905



909



907



906



904

LABELS

ASSEMBLY KIT/ SET	ITEM NO	QTY	PART NO	DESCRIPTION
K20	K20	1	0360-90038-01	iQ360XR/XT Saw Motor Label Sheet 1
	903	1		iQ360X Blade Guard Label
	904	1		iQ360X PPE Saw Motor Label
	905	1		iQ360XR Off Switch Warning Label
	906	1		iQ360XR 120v Saw Motor Label
K21	K21	1	0360-90039-01	iQ360XR/XT Saw Motor Label Sheet 2
	907	1		iQ360X Serial Number Label
	908	1		iQ360X Filter Access Panel Spin Label
	909	1		iQ360X Filter Spin Label
	910	1		iQ360X Warning Label

WARRANTY

New iQTS244™ Dry Cut Tile Saw, sold by iQ Power Tools or an iQ authorized dealer is warranted to be free from manufacturing defects in normal service for a one year period from date of purchase by the original consumer purchaser. Warranty period for rental items is 90 days.

All iQ products must be registered either through our website or by mailing in the Warranty Card in order for the warranty to be active and valid. This Warranty shall not apply to any parts that have been subjected to misuse or improper service, damaged in transit or handling, altered or repaired by unauthorized representatives, or used with a blade that is not recommended by iQ Power Tools.

Any claim arising under this Warranty must be submitted by the original purchaser within the Warranty period specified above and must include proof of purchase. Within Warranty period, options are either to replace or repair any parts or components that are found to be defective by iQ Power Tools at no charge to the original purchaser. iQ Power Tools shall not be responsible or obligated to pay for freight or other transportation-related costs or expenses in connection with any defective products, replacements, or components that are returned to iQ Power Tools facility or any authorized repair station.

Parts and labor needed to maintain products, and the replacement of components due to normal wear and tear, are the purchaser's responsibility and are not covered by this Warranty. All products or components replaced under Warranty become the property of the manufacturer. All replacement parts will be considered to be part of the original product and any Warranty on such parts will expire concurrently with this original Warranty.

iQ Power Tools will pay for parts and labor in connection with Warranty repairs conducted by iQ Power Tools or its authorized repair center. Replacement parts installed by anyone else will be provided without a charge but this Warranty will not apply to labor charges in connection therewith.

IN NO EVENT SHALL ANY LIABILITY UNDER THIS WARRANTY EXCEED THE REPLACEMENT COST OF ANY DEFECTIVE PRODUCT OR COMPONENT THEREOF. iQ POWER TOOLS SHALL NOT BE LIABLE FOR ANY INCIDENTAL OR CONSEQUENTIAL DAMAGES OR FOR ANY OTHER DAMAGE OR LOSS NOT EXPRESSLY ASSUMED AS SET FORTH HEREIN.

The Warranty on the terms above is the only Warranty. This limited Warranty is expressly in lieu of all other Warranties, whether expressed or implied.