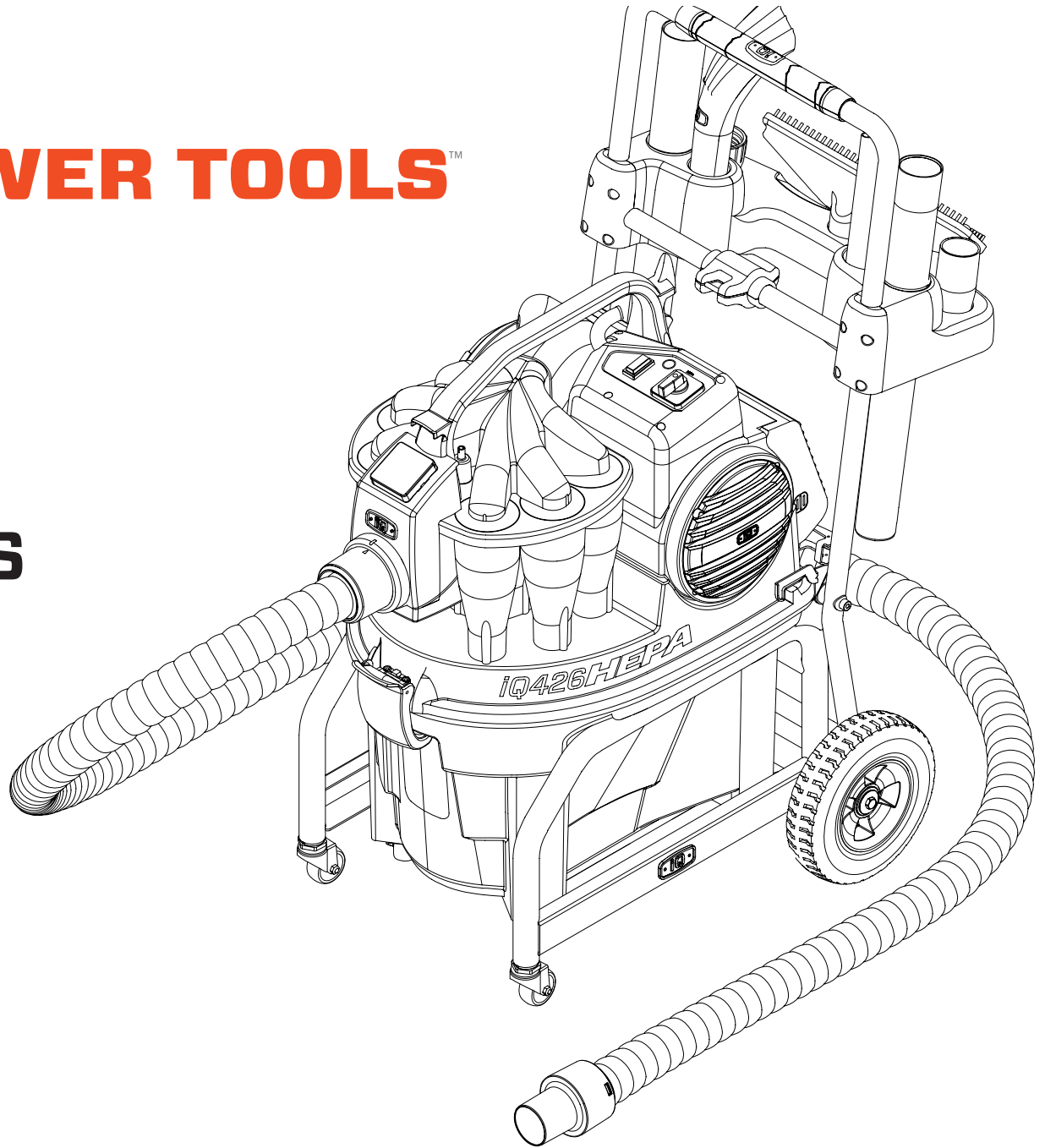




**POWER TOOLS™**

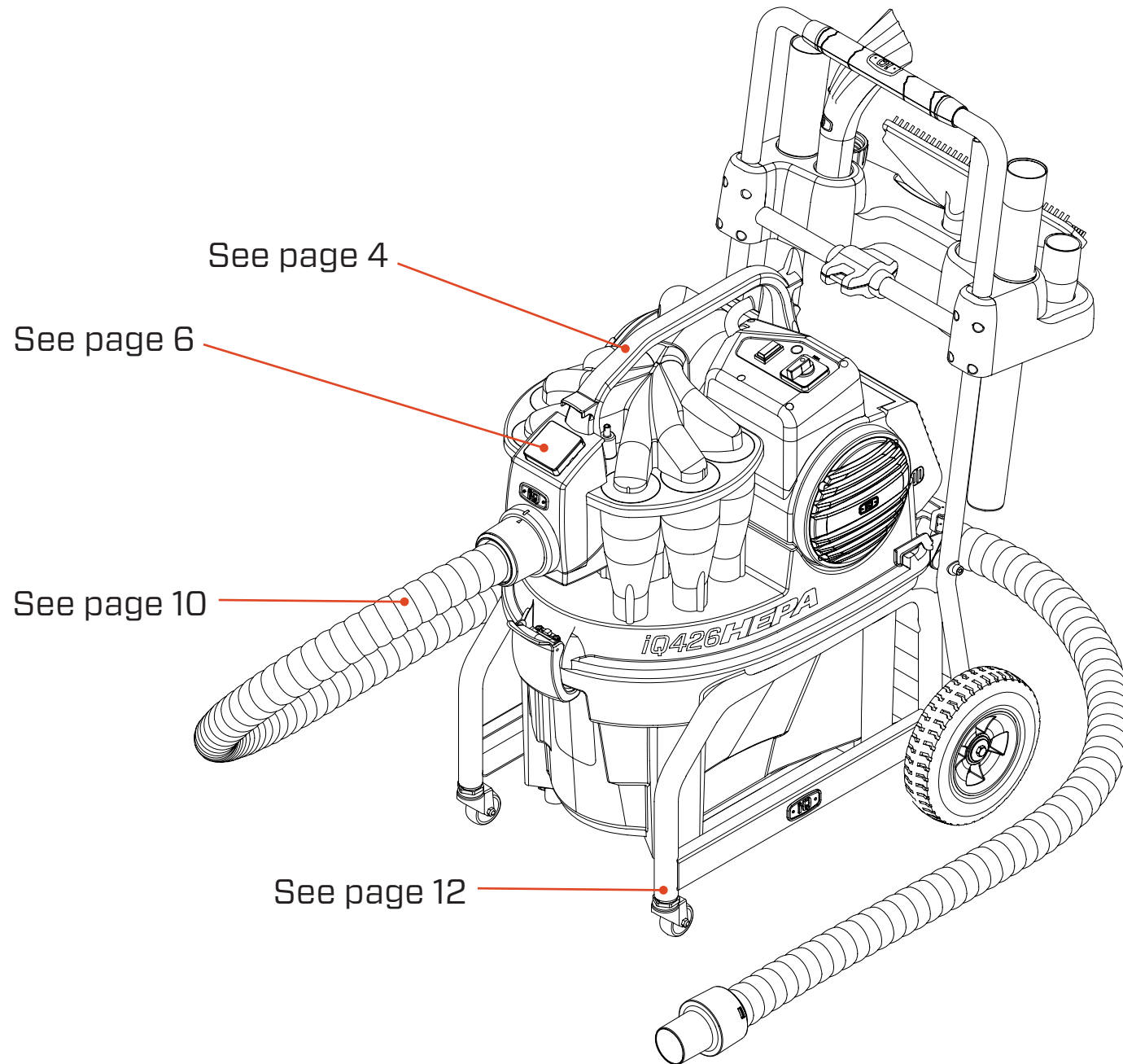
# **iQ426HEPA US**

## **Parts Manual**

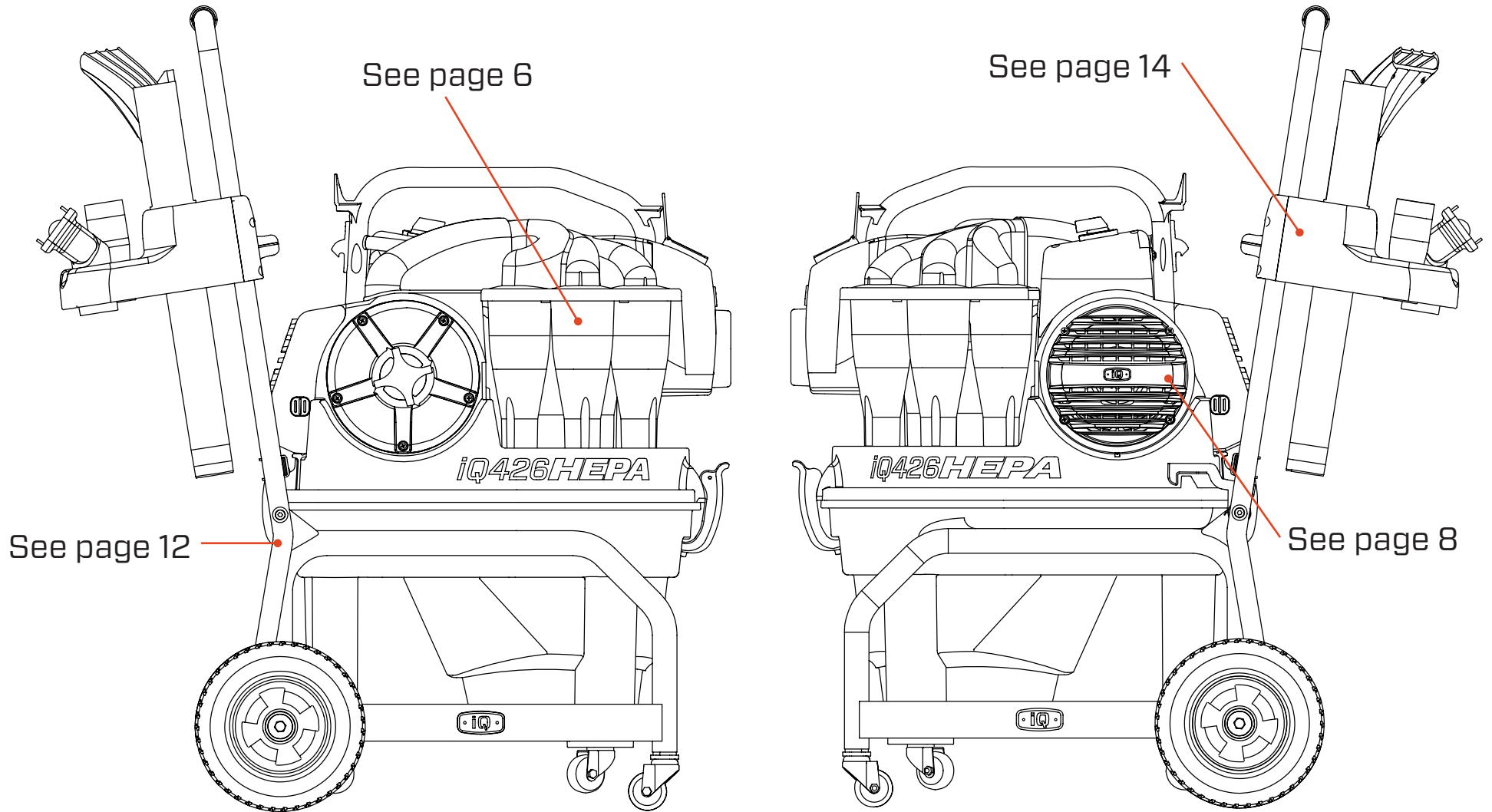


M-iQ426HEPA-001-PM032020

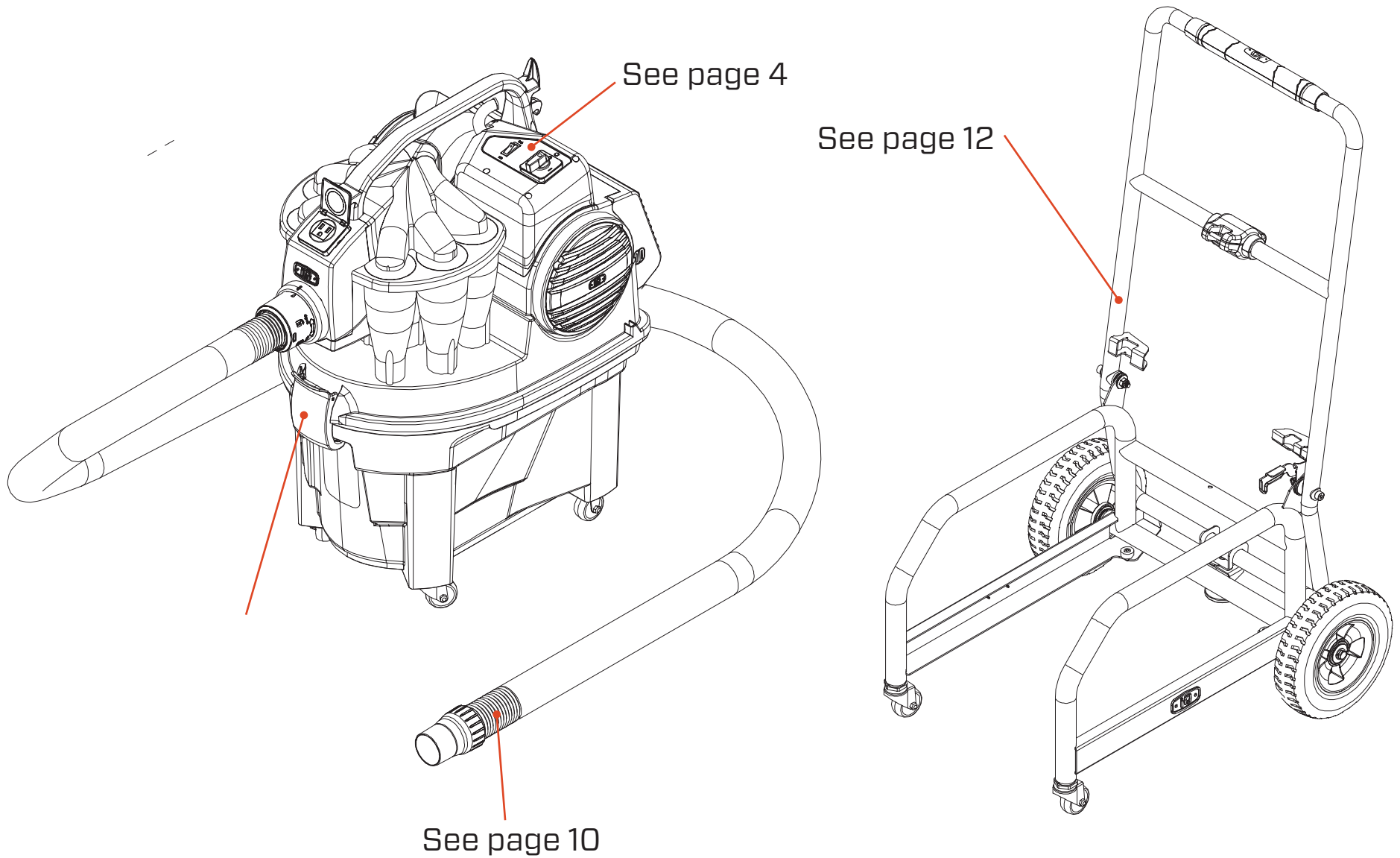
# FRONT ANGLED VIEW



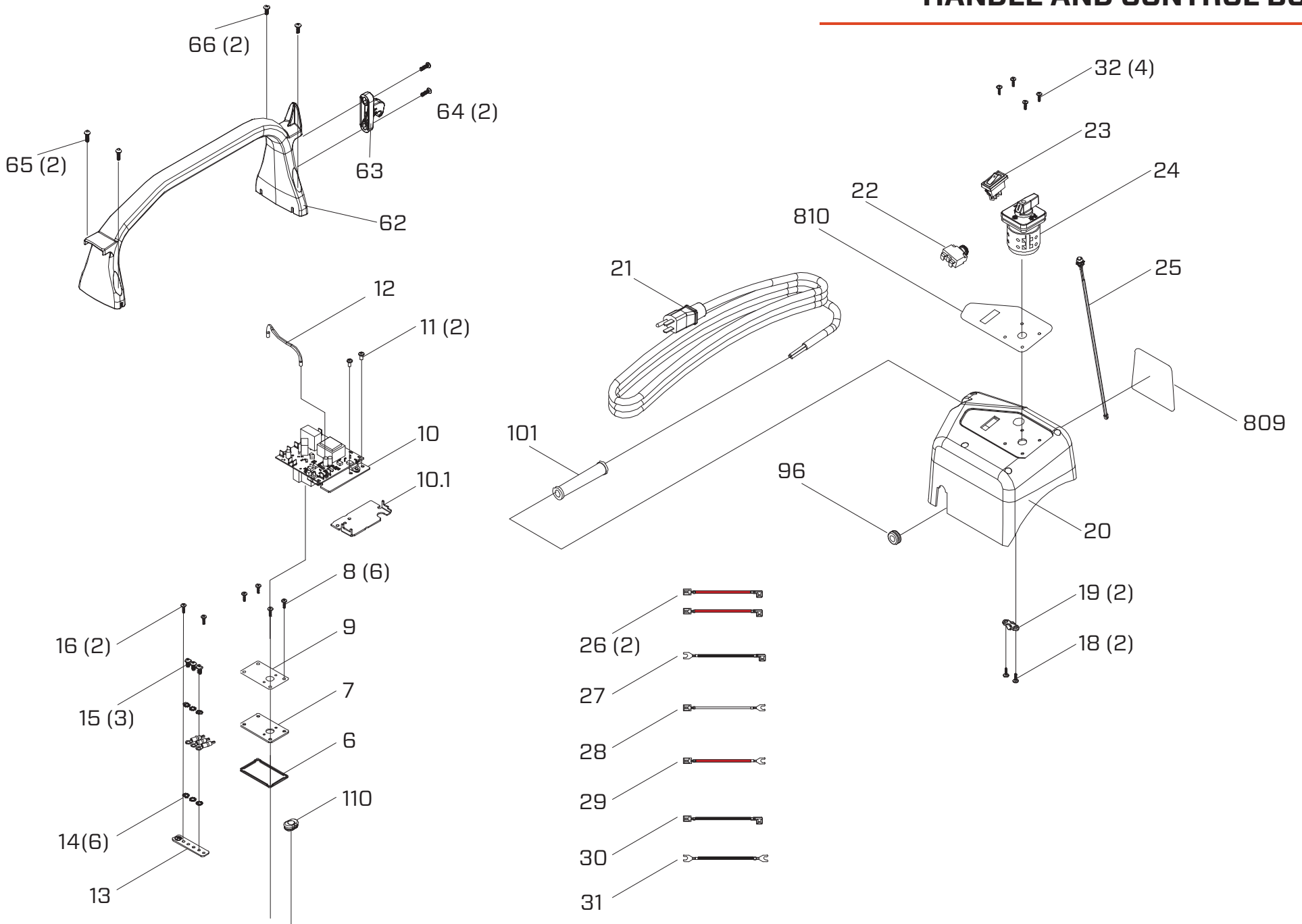
## SIDE VIEWS



# VACUUM SYSTEM VIEW



# HANDLE AND CONTROL BOX

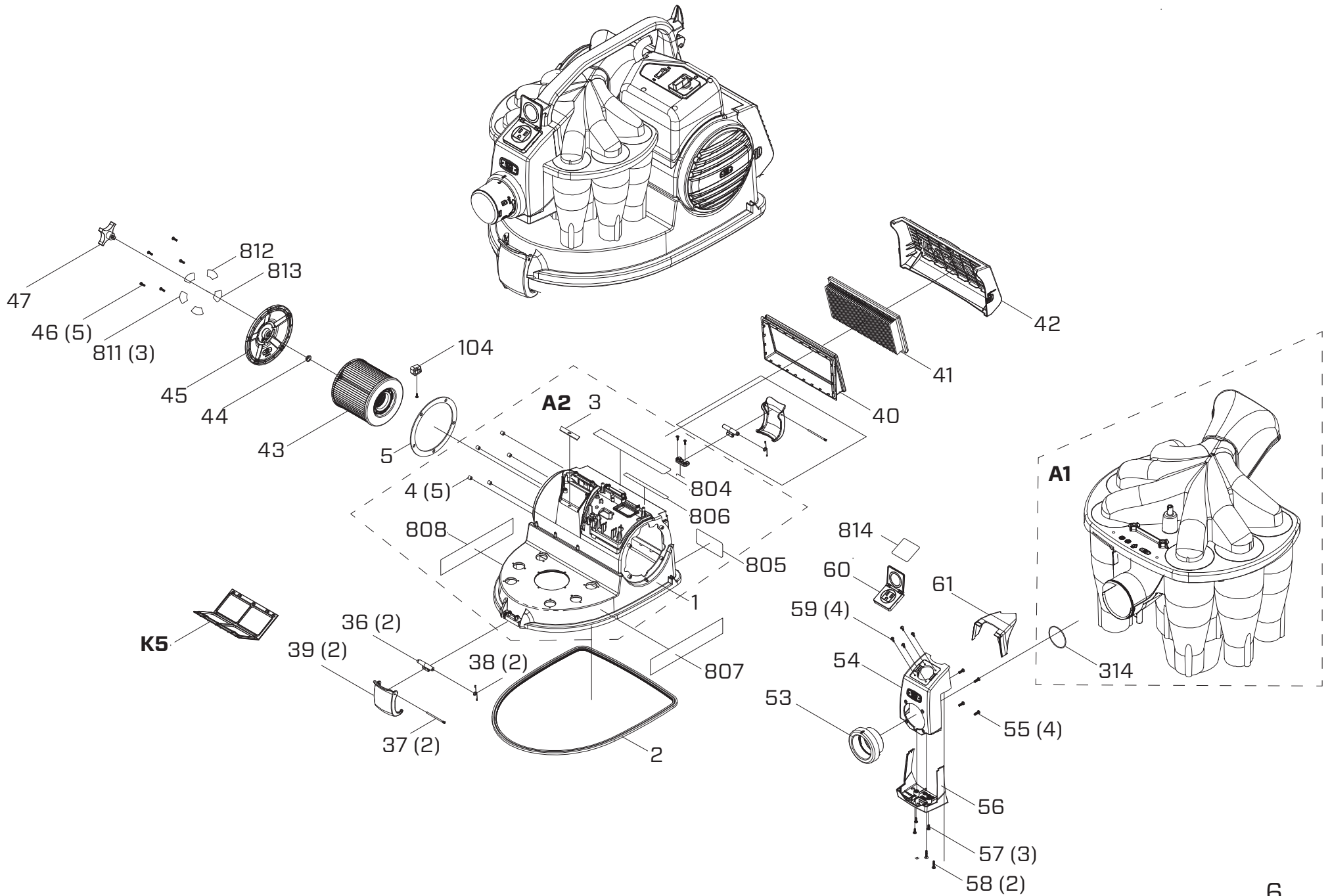


# HANDLE AND CONTROL BOX

ASSEMBLY KIT / SET	ITEM NO	QTY	PART NO	DESCRIPTION
K1	K1	1	0426-90001-01	Handle Kit
	62	1		Main Top Housing Handle
	65	1		Screw, M5x15mm
	66	1		Screw, M5x16mm
K2	K2	1	0426-90014-01	Handle Hook Kit
	63	1		Handle Hook
	64	1		Screw, M5x16mm
	22	1	0426-00022-01	Over Load Protector 15A
	23	1	0426-00023-01	Mode Switch
	24	1	0426-00024-01	On/Off Switch
SET	32	4	0426-90041-01	Screw, M4 x 12mm (Set of 4pc)
K9	K9	1	0426-90019-01	Power Cord Kit (120V)
	21	1		Power Cord 10'
	96	1		Wire Clip
	101	1		Wire Sleeve
K11	K11	1	0426-90021-01	Control Box Kit
	18	1		Screw, Pan Head, M4 x 12L
	19	1		Wire Clamp
	20	1		Control Box
	25	1		HEPA Filter LED Indicator
K10	K10	1	0426-90020-01	PCB Wire Kit
	26	2		Jumper Wire, Red
	27	1		Jumper Wire, Black
	28	1		Jumper Wire, White
	29	1		Jumper Wire, Red
	30	1		Jumper Wire, Black
31	1	Jumper Wire, Black		

ASSEMBLY KIT / SET	ITEM NO	QTY	PART NO	DESCRIPTION
K8	K8	1	0426-90018-01	PCB Board Kit
	6	1		Gasket
	7	1		PCB Heat Sink
	8	1		Screw, M4 x 12mm
	9	1		SIL-PAD 400
	10	1		PCB Module (120v)
	11	1		Tapping Screw, M4x8mm
	12	1		Silicon Hose
	110	1		Plug
	K12	K12		1
13		1	Grounding Plate	
14		6	Tooth Lock Washer	
15		3	Tapping Screw	
16		2	Screw, M4x12mm	
17		1	Seal	

# VACUUM SYSTEM

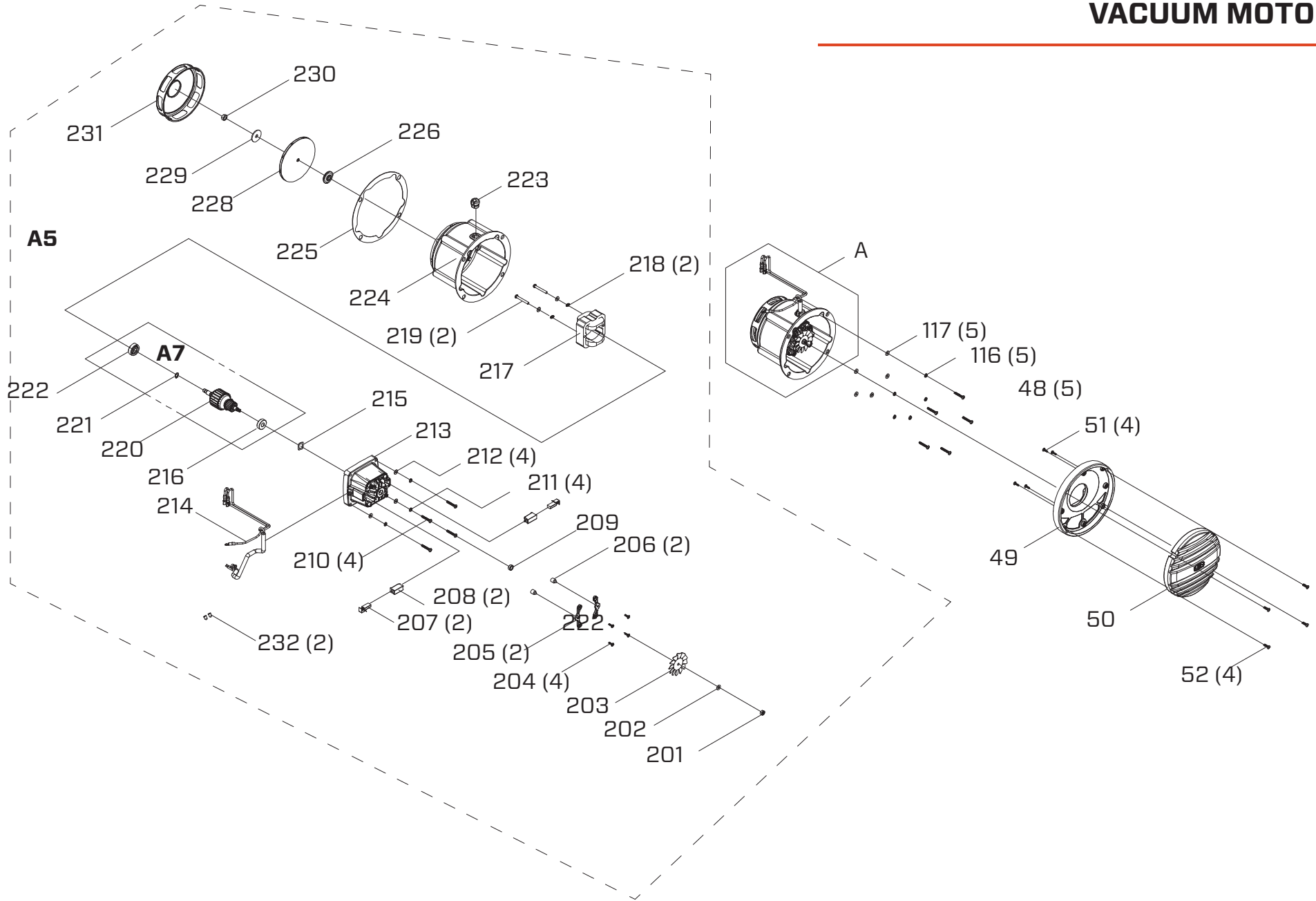




# VACUUM SYSTEM

ASSEMBLY KIT / SET	ITEM NO	QTY	PART NO	DESCRIPTION
A1	A1	1	0426-25008-01	Vacuum Cyclone Assembly
K3	K3	1	0426-90015-01	Vacuum Inlet Kit
	53	1		Vacuum Inlet
	54	1		Vacuum Inlet Front Cover
	55	4		Screw, M4x12mm
	56	1		Vacuum Inlet Lower Cover
	57	3		Screw, M4x12mm
	58	2		Screw, M4x25mm
	59	4		Screw, M4x12mm
	60	1		Receptacle
	61	1		Vacuum Inlet Top Cover
A2	A2	1	0426-25003-01	Vacuum Body Assembly
	42	1	0426-00042-01	HEPA Door
	41	1	0426-25002-01	Replacement HEPA Filter
K6	K6	1	0426-90017-01	Tub Latch Kit
	34	2		Tub Latch Mount
	35	2		Shaft
	36	2		Handle Linkage
	37	2		Tub Latch Shaft
	38	2		Spring
	39	2		Tub Latch
	47	1	0244-00355-01	Filter Spin Handle
SET	46	1	0426-90043-01	Screw M5x15mm (Pack of 5)
K7	K7	1	0426-90038-01	Filter Cover Kit
	44	1		Bushing
	45	1		Filter Housing Cover
	43	1	0426-25001-01	Replacement Vacuum Filter Kit, 8 x 6 Durabond Filter
	70	1	0426-00070-01	Filter Tab
K5	K5	1	0426-90016-01	Valve Assembly
		2		Valve Plate
		8		Rivet
		4		Valve Rib
		2		Valve Door
		1		Valve Board
		6		Screw, M4 x 12mm
		8		Flat Washer

# VACUUM MOTOR

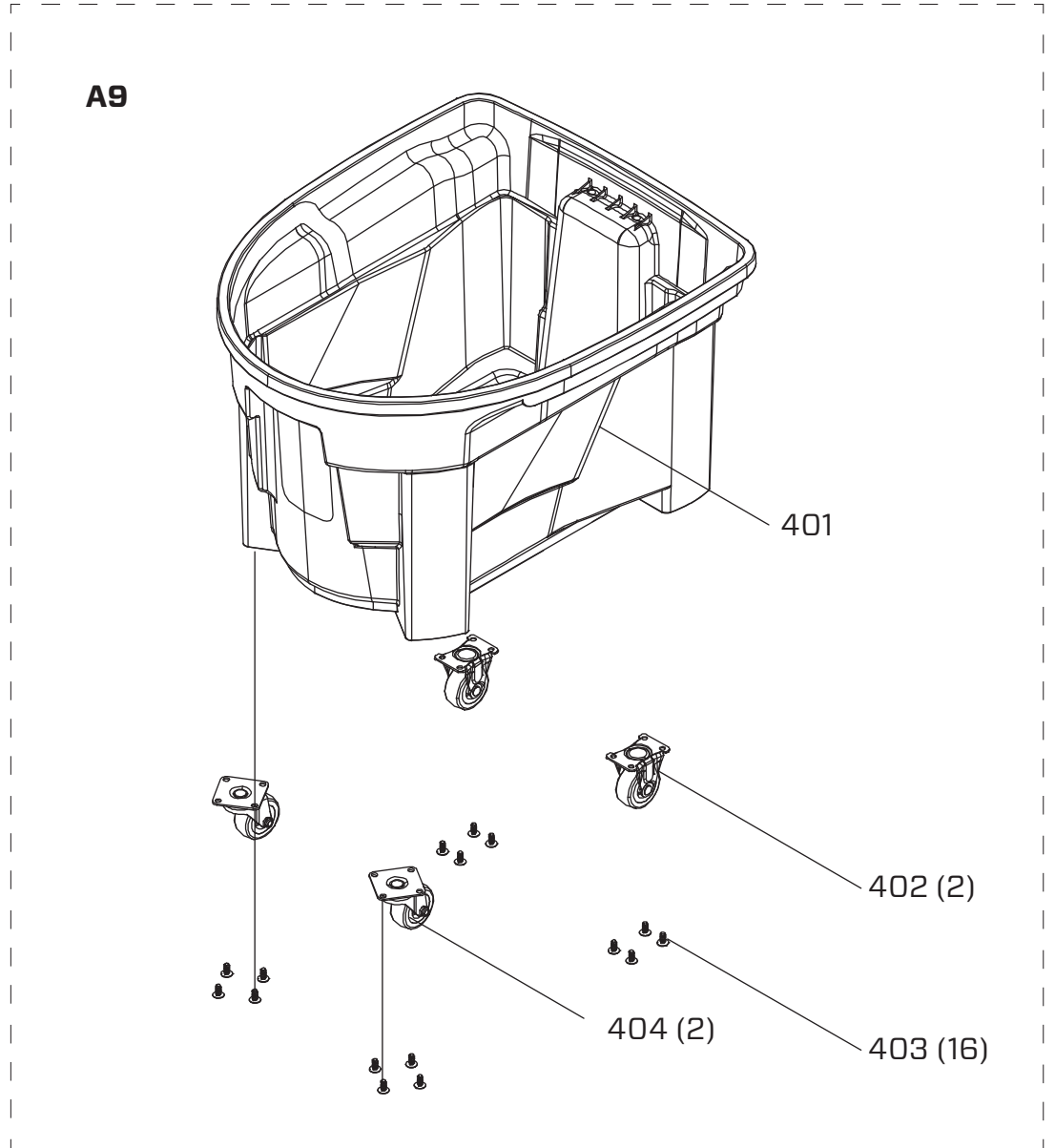
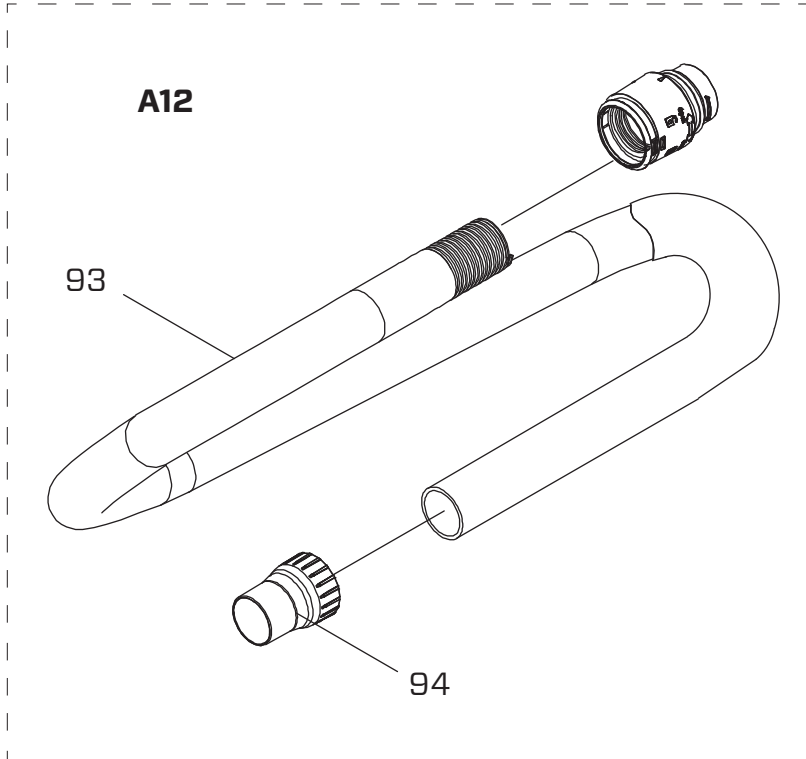


# VACUUM MOTOR

ASSEMBLY KIT / SET	ITEM NO	QTY	PART NO	DESCRIPTION
A5	A5	1	0426-25004-01	Vacuum Motor Assembly
K14	K14	1	0426-90024-01	Vac Motor Cover Hardware Kit
	48	5		Screw M5 x 30mm
	116	5		S Washer
	117	5		Flat Washer
K27	K27	1	0426-90023-01	Vac Motor Cover Kit
	49	1		Motor Cover Frame
	51	4		Screw, M4 x 12mm
K13	K13	1	0426-90037-01	Vac Motor Cap Kit
	50	1		Motor Cover
	52	4		Tapping Screw, M5x16mm
A6	A6	1	0426-25010-01	Vacuum Motor End Cap Assembly
	208	1		
	213	1		
A7	A7	1	0426-25005-01	Armature Assembly (120V)
	216	1		
	220	1		
	221	1		
	222	1		
K29	K29	1	0426-90040-01	Vacuum Motor Fan Kit
	226	1		Flange, Fan
	228	1		Fan
	229	1		Flat Washer
	230	1		Hex Nut
	231	1		Cover, Fan
	214	1	0426-00214-01	Motor Housing Cord

ASSEMBLY KIT / SET	ITEM NO	QTY	PART NO	DESCRIPTION
K28	K28	1	0426-90052-01	Vacuum Motor Housing Kit
	223	1		Strain Relief
	224	1		Motor Sound Shield Housing
	225	1		Filter Door Gasket
K18	K18	1	0426-90027-01	Stator Hardware Kit
	218	2		Lock Washer
	219	2		Screw M5x40mm
	217	1	0426-00217-01	Stator 120V
K17	K17	1	0426-90026-01	Motor Hardware Kit
	204	4		Screw, M4 x 12L
	205	2		Brush Cover Hold Housing
	206	2		Brush Cover Hold Plate
	209	1		Space Ring Fan
	210	4		Screw M5 x 30mm
	211	4		S Washer
	212	4		Flat Washer
	215	1	Valve Washer	
SET	207	2	0426-90046-01	Carbon Brush (Set of 2)
	214	1	0426-00214-01	Motor Housing Cord

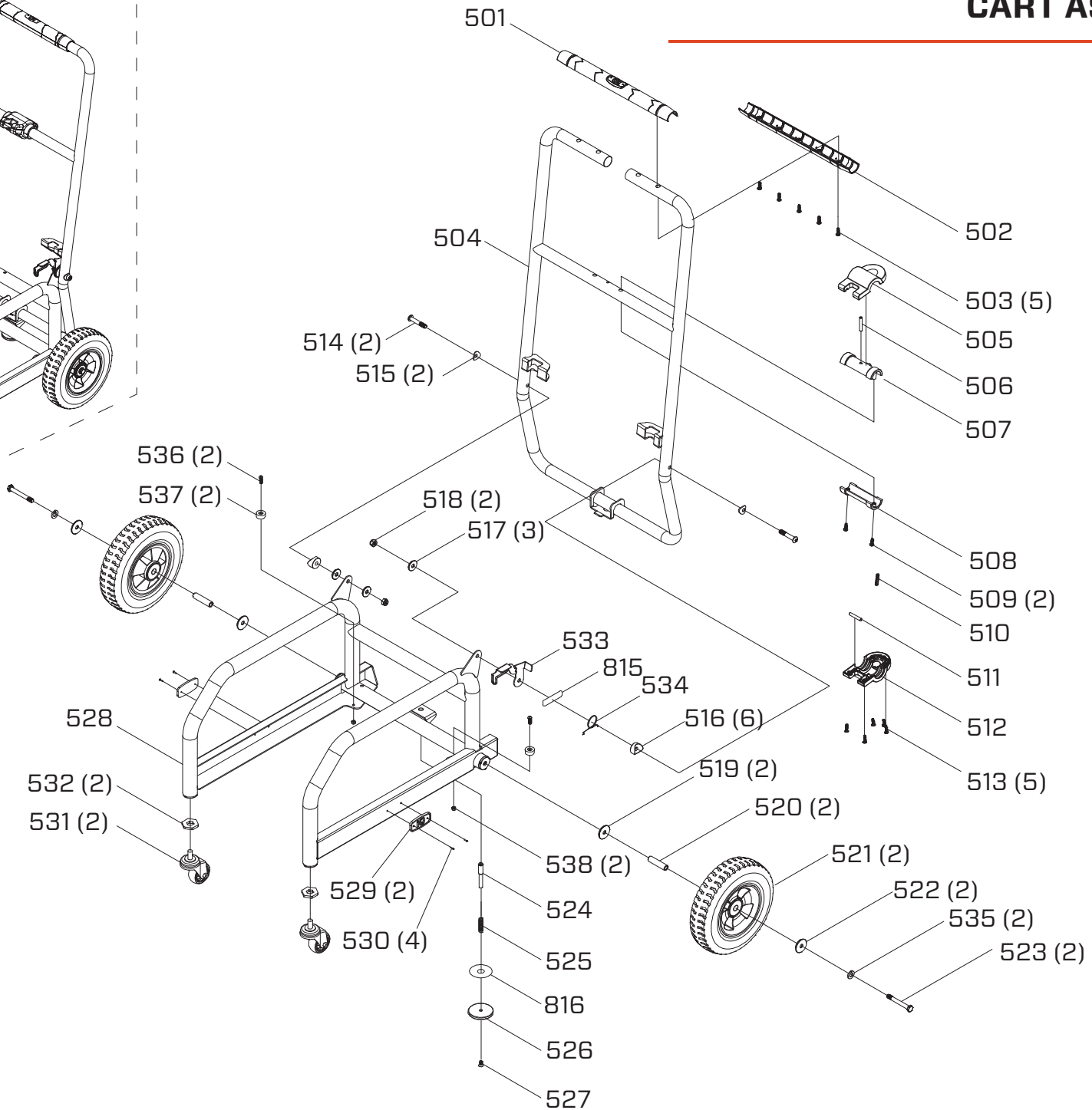
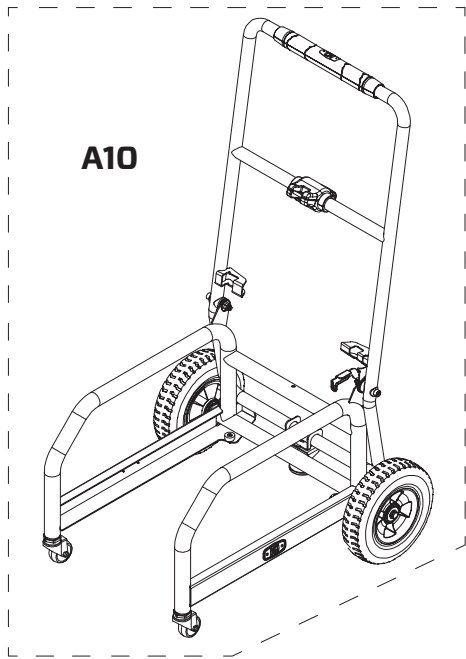
# HOSE AND TUB



## HOSE AND TUB

ASSEMBLY KIT / SET	ITEM NO	QTY	PART NO	DESCRIPTION
A12	A12	1	0426-25011-01	Hose Assembly
	94	1	0426-00094-01	Soft Swivel Hose
A9	A9	1	0426-25006-01	Tub Assembly
	401	1		TUB
	402	2		Tub Front Wheel
	403	16		Screw
	404	2		Tub Rear Wheel
SET	402	2	0426-90047-01	Tub Front Wheel (Set of 2)
SET	403	16	0426-90048-01	Screw (Set of 16)
SET	404	2	0426-90049-01	Tub Rear Wheel (Set of 2)

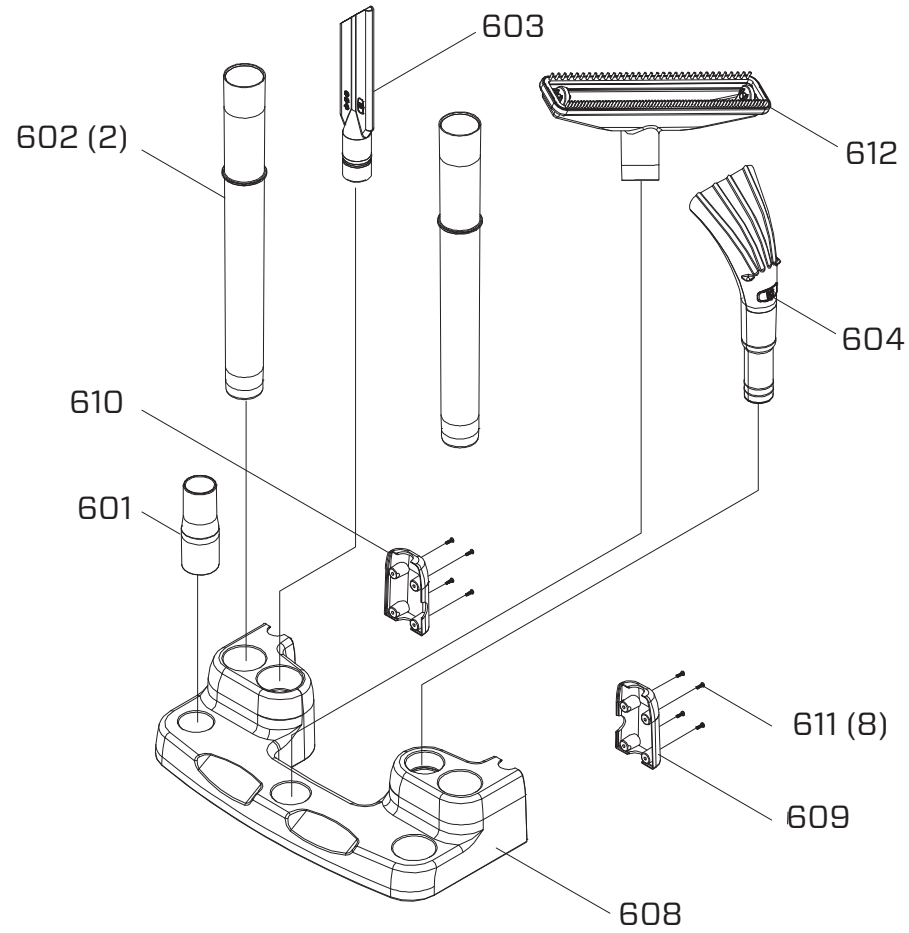
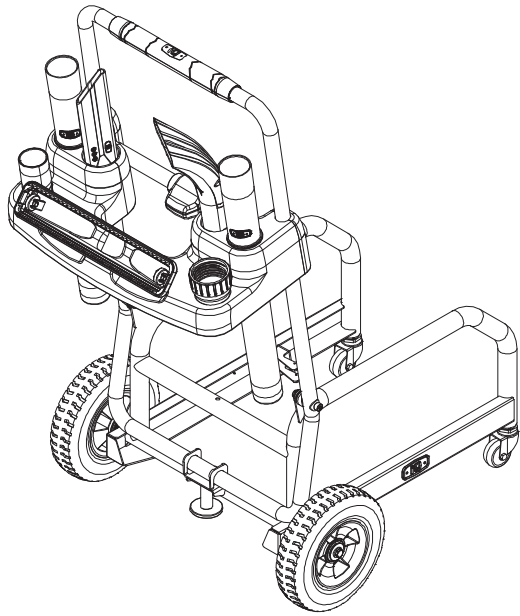
# CART ASSEMBLY



# CART ASSEMBLY

ASSEMBLY KIT / SET	ITEM NO	QTY	PART NO	DESCRIPTION
A10	A10	1	0426-25007-01	Cart Assembly
K19	K19	1	0426-90028-01	Cart Lift Latch Kit
	505	1		Lift Latch Top
	506	1		Wheel PIN
	507	1		Sleeve upper
	508	1		Sleeve lower
	509	2		Screw, M4 x 12L
	510	1		Spring
	511	1		Lift Latch PIN
	512	1		Lift Latch Bottom
	513	5		Screw, M4 x 12L
	K20	K20		1
533		1	Release Hook	
534		1	Release Hook Spring	
K21	K21	1	0426-90029-01	Cart Handle Release Hook Hardware Kit
	514	2		Screw, M8 x 55L
	515	2		Curved Washer M8
	516	2		Saddle Washer
	517	3		Washer, Flat M8
	518	2		Hex Nut, M8
K22	K22	1	0426-90030-01	Cart Rear Wheel Hardware Kit
	519	2		Washer, M8
	520	2		Bushing
	522	2		Flat Washer
	523	2		Bolt, M8 x 70L
	535	2		S Washer
K23	K23	1	0426-90032-01	Cart Front Wheel Kit
	531	2		Cart Front Wheel
	532	2		Washer
SET	521	2	0426-90050-01	Cart Rear Wheel (Set of 2)
K24	K24	1	0426-90033-01	Frame Release Kit
	524	1		Pin
	525	1		Spring
	526	1		Knob
	527	1		Screw

# ACCESSORY RACK & ACCESSORIES

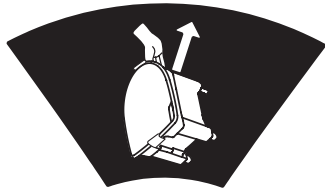




## ACCESSORY RACK & ACCESSORIES

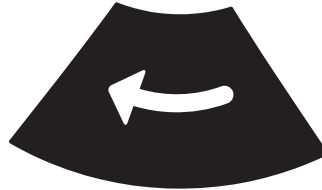
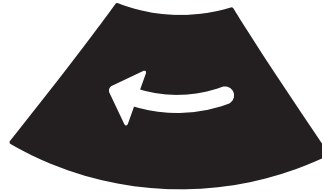
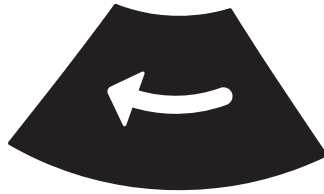
ASSEMBLY KIT / SET	ITEM NO	QTY	PART NO	DESCRIPTION
K25	K25	1	0426-90034-01	Accessory Rack Bracket Kit
	609	1		Rack Bracket Left
	610	1		Rack Bracket Right
	611	8		Screw
	608	1	0426-00608-01	Accessory Rack
K26	K26	1	0426-90035-01	Hose Extension Kit
	601	1	0426-00601-01	Hose Adapter
	602	2	0426-25051-01	Hose Extension
	603	1	0426-00603-01	Nozzle Flat
	604	1	0426-00604-01	Nozzle Flat
	612	1	0426-00612-01	Brush Roller

**LABELS**



**iQ426HEPA**

**iQ426HEPA**



**AUTO CAUTION**

Risk of fire. Do not exceed 12 AMPs.

Risk of injury. Feet should be kept off motor housing.

Risk of injury. This is a certified electrical appliance. Do not tamper with the electrical system.

Risk of injury. When maintenance is performed, disconnect the main power supply and lockout.

**MISE EN GARDE**

Risque d'incendie. Ne dépassez pas une consommation de 12 ampères.

Risque de blessure. Ne placez pas vos pieds sur le boîtier du moteur.

Risque de blessure. Ceci est un appareil électrique certifié. Ne modifiez pas le système électrique.

Risque de blessure. Lorsque les travaux de maintenance sont effectués, déconnectez l'alimentation principale et bloquez-la.



**RELEASE**

**iQ POWER TOOLS**

**iQ426HEPA-CSA - 010000**

Manufactured by IQ Power Tools | Made in Taiwan  
www.iqpowertools.com | 888-274-7744

**WARNING: TO REDUCE THE RISK OF ELECTRIC SHOCK - DO NOT USE ON WET SURFACES. DO NOT EXPOSE TO RAIN. STORE INDOORS. AVERTISSEMENT: POUR RÉDUIRE LE RISQUE DE CHOC ÉLECTRIQUE - NE PAS ASPIRER DES DÉCHETS HUMIDES. NE PAS EXPOSER À LA PLUIE. RANGER À L'INTÉRIEUR.**

**HEPA**

**HIGH**

**LOW**

**iQ POWER TOOLS**

**iQ426HEPA**

CYCLONIC DUST EXTRACTOR  
HEPA FILTER  
120V - 60Hz  
12 AMP VAC MOTOR  
15 AMP TOTAL MACHINE

**WARNING: FOR YOUR SAFETY**

**HEPA OSHA TABLE 1 COMPLIANT**

# LABELS

ASSEMBLY KIT / SET	ITEM NO	QTY	PART NO	DESCRIPTION
	Label	1	0426-12001-01	Label Sheet
	805	1		Serial Label
	806	1		Warning Label
	809	1		Specification Label
	810	1		Plate Label
	811	3		Arrow Label
	812	1		Label
	813	1		Spin Label
	815	1		Release Label
	816	1		Step Label



## WARRANTY

New iQ426HEPA™ Dust Extractor, sold by iQ Power Tools or an iQ authorized dealer is warranted to be free from manufacturing defects in normal service for a one year period from date of purchase by the original consumer purchaser. Warranty period for rental items is 90 days.

All iQ products must be registered either through our website or by mailing in the Warranty Card in order for the warranty to be active and valid. This Warranty shall not apply to any parts that have been subjected to misuse or improper service, damaged in transit or handling, altered or repaired by unauthorized representatives, or used with a blade that is not recommended by iQ Power Tools.

Any claim arising under this Warranty must be submitted by the original purchaser within the Warranty period specified above and must include proof of purchase. Within Warranty period, options are either to replace or repair any parts or components that are found to be defective by iQ Power Tools at no charge to the original purchaser. iQ Power Tools shall not be responsible or obligated to pay for freight or other transportation-related costs or expenses in connection with any defective products, replacements, or components that are returned to iQ Power Tools facility or any authorized repair station.

Parts and labor needed to maintain products, and the replacement of components due to normal wear and tear, are the purchaser's responsibility and are not covered by this Warranty. All products or components replaced under Warranty become the property of the manufacturer. All replacement parts will be considered to be part of the original product and any Warranty on such parts will expire concurrently with this original Warranty.

iQ Power Tools will pay for parts and labor in connection with Warranty repairs conducted by iQ Power Tools or its authorized repair center. Replacement parts installed by anyone else will be provided without a charge but this Warranty will not apply to labor charges in connection therewith.

IN NO EVENT SHALL ANY LIABILITY UNDER THIS WARRANTY EXCEED THE REPLACEMENT COST OF ANY DEFECTIVE PRODUCT OR COMPONENT THEREOF. iQ POWER TOOLS SHALL NOT BE LIABLE FOR ANY INCIDENTAL OR CONSEQUENTIAL DAMAGES OR FOR ANY OTHER DAMAGE OR LOSS NOT EXPRESSLY ASSUMED AS SET FORTH HEREIN.

The Warranty on the terms above is the only Warranty. This limited Warranty is expressly in lieu of all other Warranties, whether expressed or implied.