



B300
SINGLE DIRECTION PLATE COMPACTOR
PARTS BOOK



www.BARTELLGLOBAL.com

Doc. # PB-B19015
Orig. Rel. - 00/2011
Curr Rev. - 00



www.BARTELLGLOBAL.com

Bartell Morrison Inc.
170 Traders Blvd E
Mississauga, Ontario, Canada
L4Z 1W7
Tel: (647) 953-4100
Fax: (647) 953-4101

Bartell Morrison USA LLC
200 Commerce Drive, Unit A
Freehold, NJ, USA
07728
Tel: (848) 225-8100
Fax: (848) 225-8101

SPE International Ltd
Honeyholes Lane
Dunholme, Lincoln, UK
LN2 3SU
Tel: +44 (0)1673 860709
Fax: +44 (0)1673 861119

Innovatech
4701 Allmond Ave
Louisville, Kentucky, USA
40209
Tel: (425) 405-9100
Fax: (425) 405-9101

ORIGINAL LANGUAGE

© 2020 Bartell Morrison Inc.

No part of this work may be reproduced or transmitted in any form or by any means, electronic or mechanical, including photocopying and recording, or by any information storage or retrieval system without the prior written permission of Bartell Morrison Inc. unless such copying is permitted by federal copyright laws.

Address inquiries or reference permissions care of:
Bartell Morrison Inc., 170 Traders Blvd. E, Mississauga, Ontario, Canada, L4Z 1W7

REV.	DATE	DESCRIPTION	APPROVED BY:
00	02/2011	Initial Release	RL
01	09/2011	60854 was 10508	RL
02	07/2012	Revised description for part number 60718	AL
03	06/2014	Address Update	AL
04	06/2020	Format Update, address update	AN

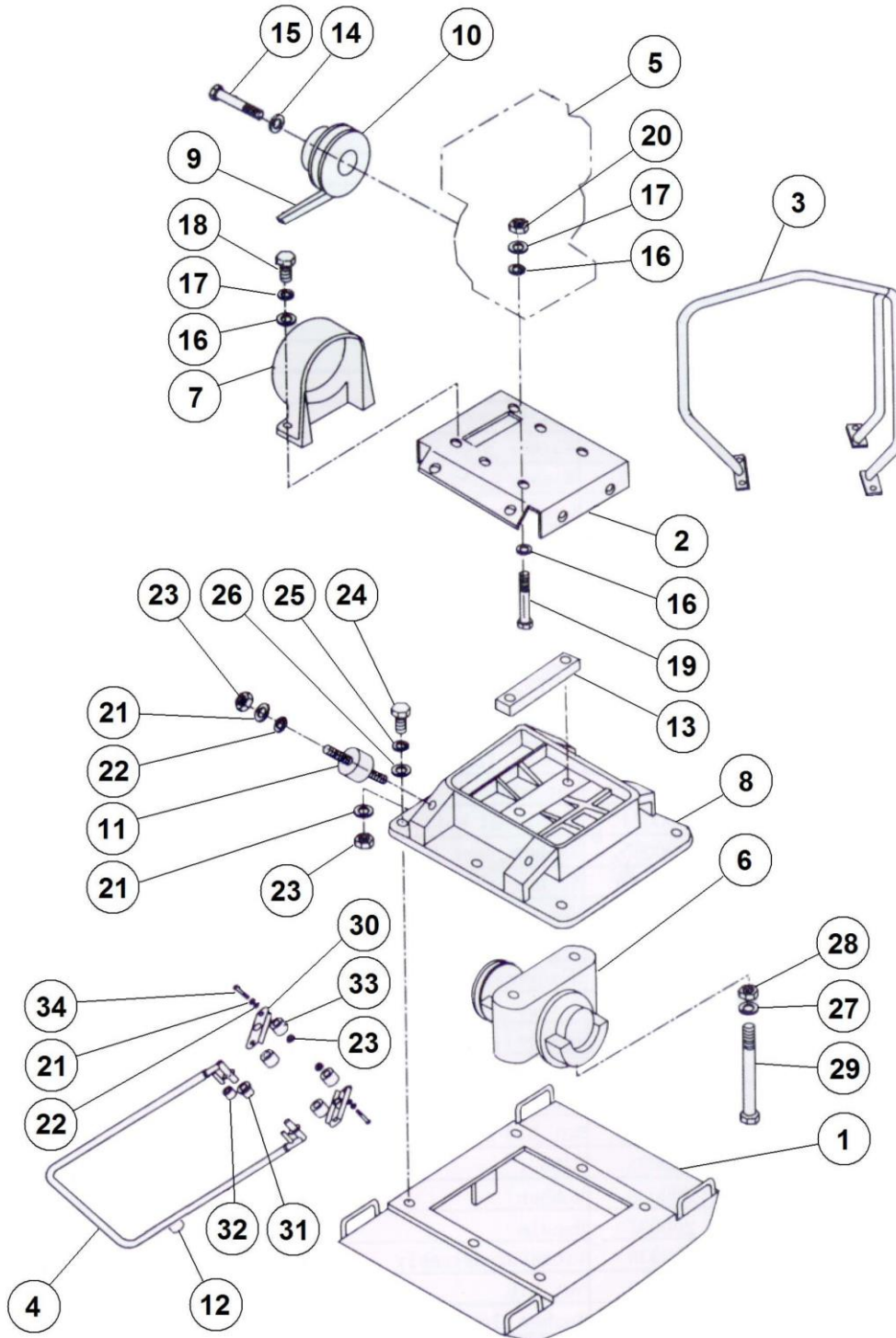


TABLE OF CONTENTS

<u>PARTS LIST 1 – SINGLE DIRECTION PLATE COMPACTORS</u>	3
GENERAL ASSEMBLY: B300	3
GENERAL ASSEMBLY: B300 – PARTS LIST 1	4
<u>PARTS LIST 2 – SINGLE DIRECTION PLATE COMPACTORS</u>	5
EXCITER ASSEMBLY: B300	5
EXCITER ASSEMBLY: B300 – PARTS LIST 2	6

PARTS LIST 1 – SINGLE DIRECTION PLATE COMPACTORS

GENERAL ASSEMBLY: B300



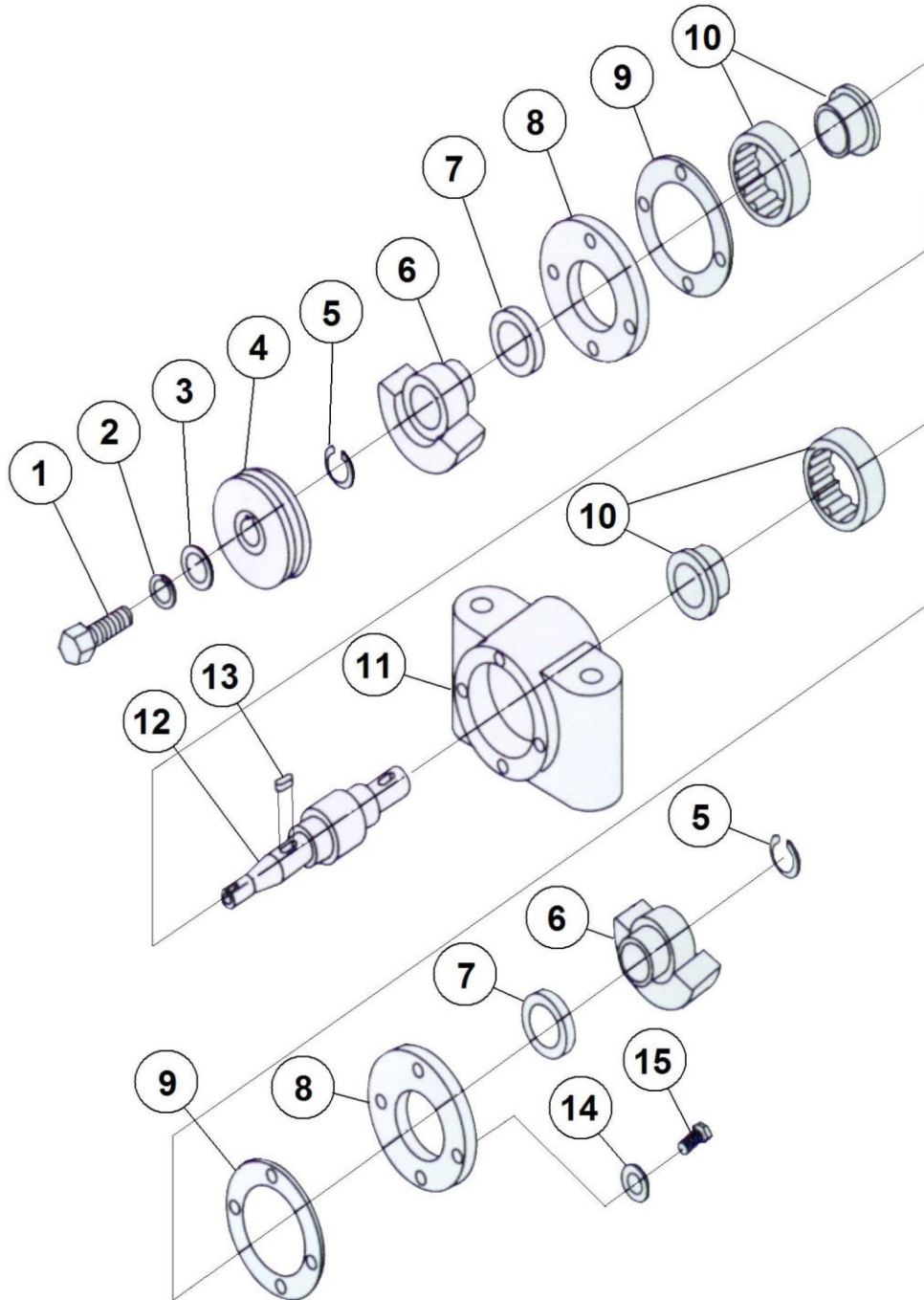


GENERAL ASSEMBLY: B300 – PARTS LIST 1

Item #	Part #	Description	QTY	Remarks
1	60711	BASE PLATE, B300 COMPACTOR	1	rev 00 - 04/2011
2	60712	BRIDGE, B300 COMPACTOR	1	rev 00 - 04/2011
3	60713	LIFTING FRAME	1	GX160 VERSION
4	60710	CONTROL HANDLE, RIGID	1	rev 00 - 04/2011
5	21333	ENGINE, HONDA GX160	1	N20006
6	60714	EXCITER ASSEMBLY	1	SEE PAGE 5
7	60716	BELT GUARD	1	rev 00 - 04/2011
8	60717	EXCITER SUPPORT PLATE	1	rev 00 - 04/2011
9	60718	DRIVE BELT (13X737Li/AX29)	1	rev 00 - 04/2011
10	60819	CLUTCH ASSEMBLY	1	rev 00 - 04/2011
11	60720	ISOLATION MOUNT, RUBBER	4	rev 00 - 04/2011
12	60854	THROTTLE LEVER AND CABLE	1	rev 01 - 09/2011
13	60721	EXCITER MOUNT BEAM	1	rev 00 - 04/2011
14	30042	CLUTCH RETAINING WASHER	1	rev 00 - 04/2011
15	11256	FHSCS, 5/6" X 1"	1	rev 00 - 04/2011
16	11000	WASHER, FLAT, M8	10	rev 00 - 04/2011
17	10998	WASHER, LOCK, M8	6	rev 00 - 04/2011
18	10997	HHCS, M8 X 20MM	2	rev 00 - 04/2011
19	10452	HHCS, M8 X 40MM	4	rev 00 - 04/2011
20	11615	NUT, HEX, M8	4	rev 00 - 04/2011
21	11621	WASHER, LOCK, M10	12	rev 00 - 04/2011
22	10111	WASHER, FLAT, M10	12	rev 00 - 04/2011
23	60835	NUT, LOCK, M10	12	rev 00 - 04/2011
24	51032	HHCS, M12 X 45MM	6	rev 00 - 04/2011
25	10735	WASHER, LOCK, M12	6	rev 00 - 04/2011
26	10993	WASHER, FLAT, M12	6	rev 00 - 04/2011
27	60832	WASHER, LOCK, M16	2	rev 00 - 04/2011
28	60728	NUT, HEX, M16	2	rev 00 - 04/2011
29	60745	HHCS, M16 X 160MM	2	rev 00 - 04/2011
30	60722	PLATE, HANDLE MOUNT	2	rev 00 - 04/2011
31	60724	HANDLE BUSHING, RUBBER	2	rev 00 - 04/2011
32	60725-1	HANDLE STOPPER, RUBBER	2	rev 00 - 04/2011
33	60723	HANDLE MOUNT, RUBBER	4	rev 00 - 04/2011
34	60726	HHCS, M10 X 80MM	4	rev 00 - 04/2011

PARTS LIST 2 – SINGLE DIRECTION PLATE COMPACTORS

EXCITER ASSEMBLY: B300





EXCITER ASSEMBLY: B300 – PARTS LIST 2

Item #	Part #	Description	QTY	Remarks
1	60732	HHCS, M8 X 15MM	1	rev 00 - 04/2011
2	10998	WASHER, LOCK, M8	1	rev 00 - 04/2011
3	11000	WASHER, FLAT, M8	1	rev 00 - 04/2011
4	60734	EXCITER PULLEY	1	rev 00 - 04/2011
5	60743	CIRCLIP, EXCITER SHAFT	2	rev 00 - 04/2011
6	60735	ECCENTRIC WEIGHT	2	rev 00 - 04/2011
7	60742	GREASE SEAL	2	rev 00 - 04/2011
8	60738	HOUSING COVER	2	rev 00 - 04/2011
9	60739	COVER GASKET	2	rev 00 - 04/2011
10	60733	EXCITER BEARING	2	rev 00 - 04/2011
11	60736	EXCITER HOUSING	1	rev 00 - 04/2011
12	60737	EXCITER SHAFT	1	rev 00 - 04/2011
13	11638	KEY, ECCENTRIC WEIGHT	2	rev 00 - 04/2011
14	14448	WASHER, LOCK, M6	8	rev 00 - 04/2011
15	60731	SHCS, M6 X 20MM	8	rev 00 - 04/2011

BARTELL

BARTELL GLOBAL



Bartell Morrison Inc.
170 Traders Blvd E
Mississauga, Ontario, Canada
L4Z 1W7
Tel: 1-647-953-4100
Fax: 1-647-953-4101



Bartell Morrison (USA) LLC
200 Commerce Drive, Unit A
Freehold, New Jersey, USA
07728
Tel: 1-848-225-8100
Fax: 1-848-225-8101



Innovatech
4701 Allmond Ave
Louisville, Kentucky, USA
40209
Tel: (425) 405-9100
Fax: (425) 405-9101



SPE International
Honeyholes Lane
Dunholme, Lincoln, UK
LN2 3SU
Tel: +44 (0)1673 860709
Fax: +44 (0)1673 861119



**BARTELL
GLOBAL**

**5 BRANDS - 1 SOURCE FOR
GREAT EQUIPMENT**
BARTELL morrison SPE Innovatech CONTEC

BARTELLGLOBAL.COM