

BARTELL

CONCRETE EQUIPMENT

Bartell Morrison Inc.
375 Annagem Blvd.,
Mississauga, ON, Canada
L5T 2A7

Toll Free (N.A.): 1 866 501 1683

Local: +1 905 364 4200

Fax: +1 905 364 4201

PARTS MANUAL

SINGLE DIRECTION PLATE COMPACTORS

B200



**ORIGINAL
LANGUAGE**

Doc. # PB-B09029
Orig. Rel. - 04/2011
Curr. Rev. - 07
Date - 06/2014

Bartell Morrison (USA) LLC
375 Annagem Blvd.
Mississauga, Ontario, Canada
L5T 3A7
Toll Free (N.A.): (866) 501-1683
Phone: (905) 364-4200
Facsimile: (905) 364-4201
www.bartellmorrison.com

Bartell Morrison (USA) LLC
200 Commerce Drive,
Freehold, New Jersey, USA
07735
Toll Free: 888-999-1570
Phone: (732) 566-5400
Facsimile: (732) 566-5444
www.bmiamerica.com

ORIGINAL LANGUAGE PARTS BOOK FOR
BARTELL SINGLE DIRECTION PLATE COMPACTOR

© 2013 Bartell Morrison Inc.

No part of this work may be reproduced or transmitted in any form or by any means, electronic or mechanical, including photocopying and recording, or by any information storage or retrieval system without the prior written permission of Bartell Morrison Inc. unless such copying is permitted by federal copyright laws.

Address inquiries or reference permissions care of:

Bartell Morrison Inc.,
375 Annagem Blvd.,
Mississauga, Ontario,
Canada, L5T 3A7

Revision	Date	Description	Approved by.
00	04/2011	Initial release	RL
01	09/2011	Revised several part numbers to reflect current build	RL
02	07/2012	Revised part numbers.	AL
03	05/2013	Revised part numbers.	AL
04	06/2013	Cover page updated.	AL
05	06/2013	Revised part numbers.	AL
06	07/2013	Revised V-Belt part numbers.	AL
07	06/2014	Address Update	AL

PARTS BOOK B200

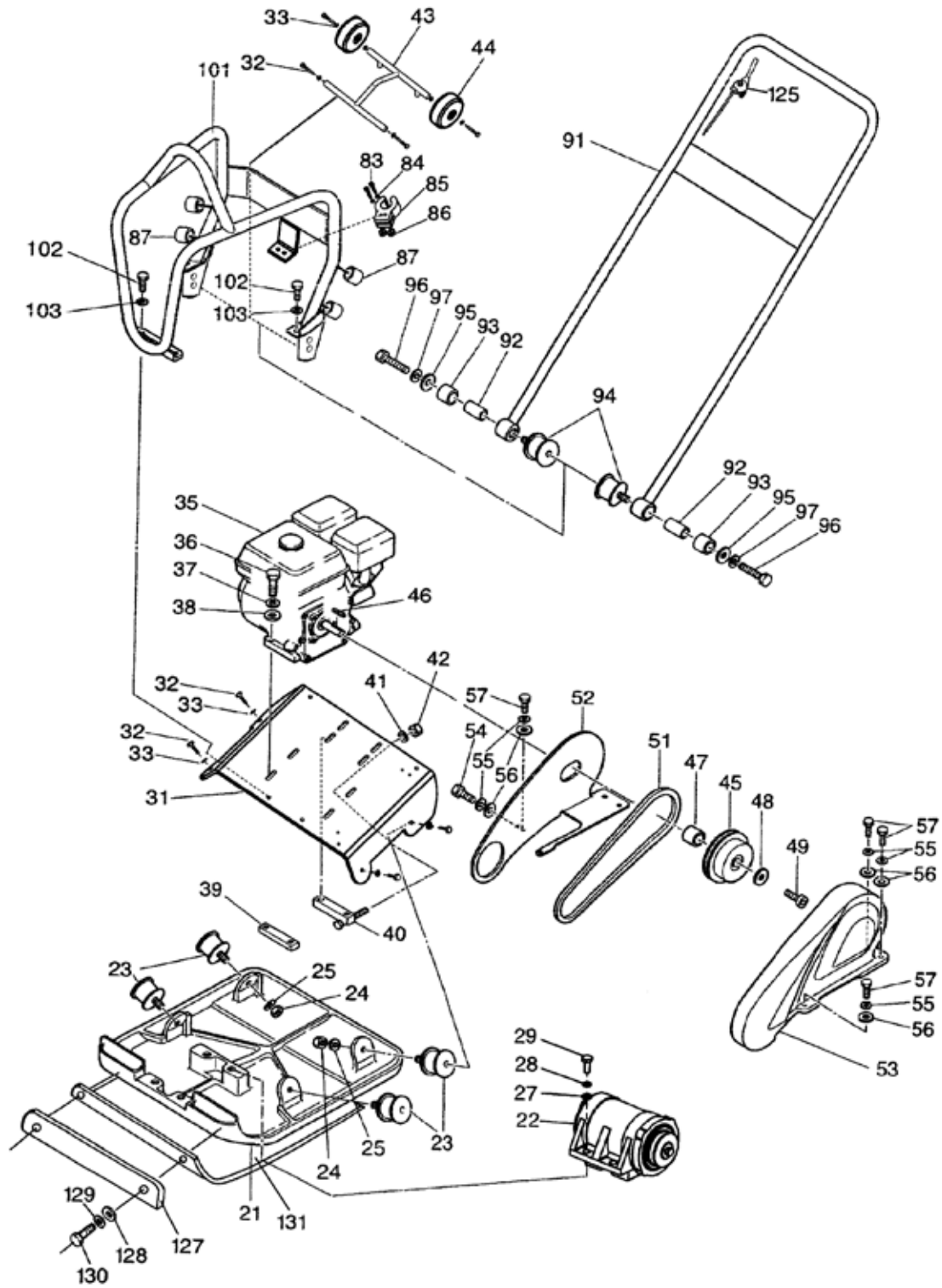
TABLE OF CONTENTS

- | | |
|---------------------|---|
| 1. GENERAL ASSEMBLY | 4 |
| 2. EXCITER ASSEMBLY | 8 |

PARTS LIST 1

B200

GENERAL ASSEMBLY



PARTS LIST 1

B200

GENERAL ASSEMBLY

ITEM NO.	PART NO.	DESCRIPTION	QTY.	REMARK
21	60811	BASE PLATE	1	rev 00 - 04/2011
22	60855	EXCITER ASSEMBLY	1	rev 01 - 09/2011
23	60813	VIBRATION MOUNT	4	rev 00 - 04/2011
24	60835	HEX NUT, M10	4	rev 00 - 04/2011
25	11621	WASHER, LOCK, M10	4	rev 00 - 04/2011
27	60831	WASHER, FLAT, M16	4	rev 00 - 04/2011
28	60832	WASHER, LOCK, M16	4	rev 00 - 04/2011
29	60830	HHCS, M16 x 40	4	rev 00 - 04/2011
31	60814	BRIDGE	1	rev 00 - 04/2011
32	60833	HHCS, M10 x 30	4	rev 00 - 04/2011
33	11621	WASHER, LOCK, M10	4	rev 00 - 04/2011
35	21333	HONDA, GX160 ENGINE	1	rev 00 - 04/2011
	21386	VANGUARD, 6.5HP ENGINE	1	
	21388	HONDA GC160 ENGINE	1	
36	10453	HHCS, M8 X 50	4	rev 00 - 04/2011
37	10998	WASHER, LOCK, M8	4	rev 00 - 04/2011
38	11000	WASHER, FLAT, M8	4	rev 00 - 04/2011
39	60815	ENGINE NUT, FRONT	1	rev 00 - 04/2011
40	60816	ENGINE NUT, REAR	1	rev 00 - 04/2011
41	30818	WASHER, FLAT, M8	1	rev 00 - 04/2011
42	11617	HEX NUT, LOCK, M8	1	rev 00 - 04/2011
43	60817	TRANSPORTER FRAME	1	rev 00 - 04/2011
44	60818	TRANSPORTER WHEEL	2	rev 00 - 04/2011
45	60819	CLUTCH	1	rev 00 - 04/2011
46	10206	KEY	1	rev 00 - 04/2011
47	11254	CLUTCH SPACER	1	rev 00 - 04/2011
48	30042	RETAINING WASHER	1	rev 01 - 09/2011
49	11256	FHSCS, 5/16-24 x 1"LG	1	rev 01 - 09/2011
50	N/R		1	rev 01 - 09/2011
51	60820	V-BELT, AX32	1	rev 00 - 04/2011
	30024	V-BELT, AX33		rev 01 - 05/2012
	30195	V-BELT, AX34		rev 02 - 05/2013
	30024	V-BELT, AX33		As of Serial # 130007 and up.
52	60821	BELT GUARD BRACKET	1	rev 00 - 04/2011
53	60822	BELT GUARD	1	rev 00 - 04/2011
54	10999	HHCS, M8 X 20	1	rev 00 - 04/2011

PARTS LIST 1

B200

GENERAL ASSEMBLY - CONT.

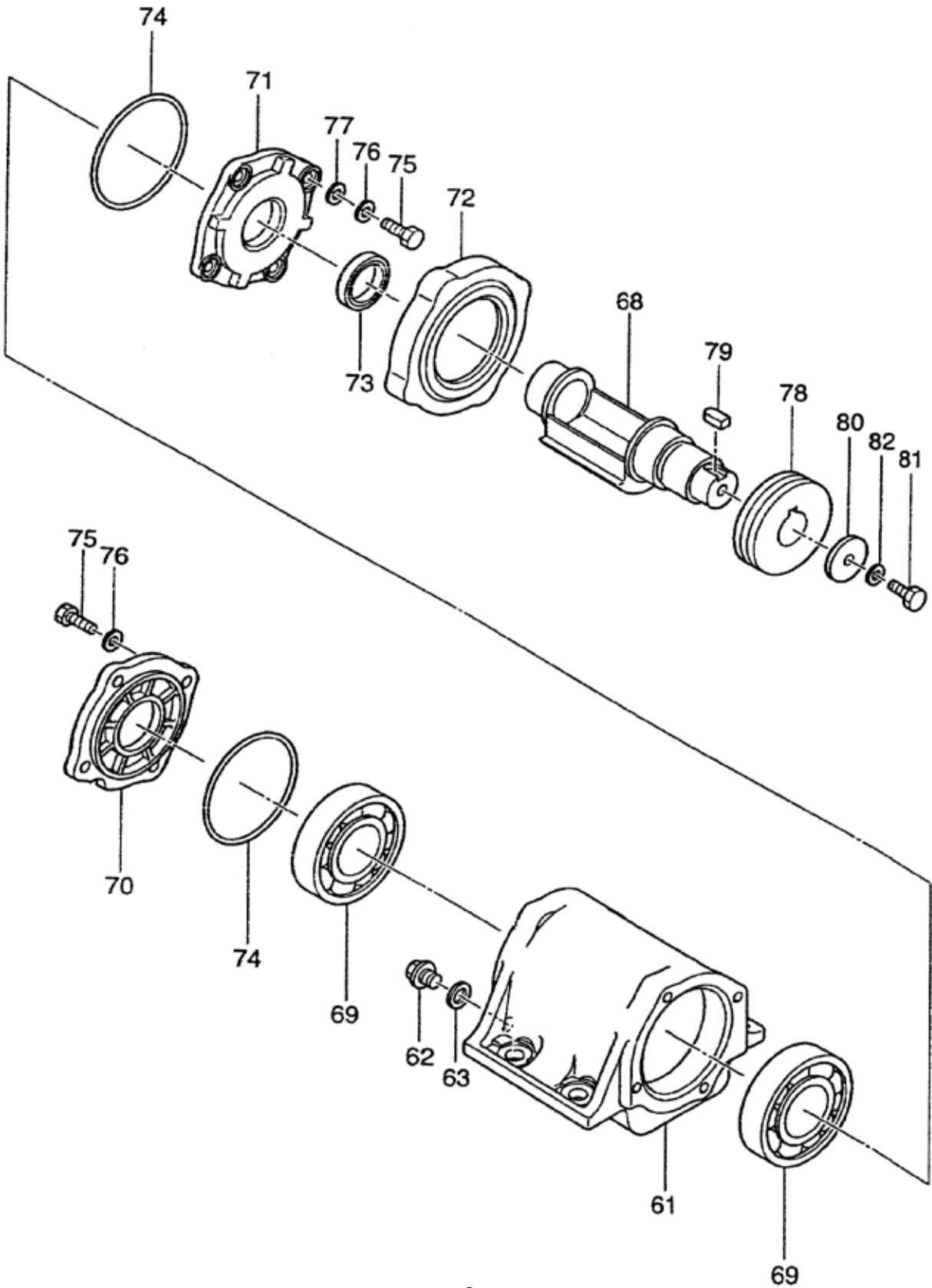
55	10998	WASHER, LOCK, M8	5	rev 00 - 04/2011
56	11000	WASHER, FLAT, M8	5	rev 00 - 04/2011
57	11619	HHCS, M8 x25	4	rev 00 - 04/2011
83	11635	HHCS, M6 x 30	2	rev 00 - 04/2011
84	14447	WASHER, FLAT, M6	2	rev 00 - 04/2011
85	60823	RUBBER CLAMP	1	rev 00 - 04/2011
86	10069	HEX NUT, M6	2	rev 00 - 04/2011
87	60824	VIBRATION PAD	4	rev 00 - 04/2011
91	60825	HANDLE	1	rev 00 - 04/2011
92	60826	BUSHING	2	rev 00 - 04/2011
93	60827	VIBRATION ISOLATOR	2	rev 00 - 04/2011
94	60828	VIBRATION MOUNT	2	rev 00 - 04/2011
95	10993	WASHER, FLAT, M12	2	rev 00 - 04/2011
96	60836	HHCS, M12 x 65	2	rev 00 - 04/2011
97	10735	WASHER, LOCK, M12	2	rev 00 - 04/2011
101	60829	ROLL CAGE	1	rev 00 - 04/2011
102	14602	HHCS, M10 x 25	4	rev 00 - 04/2011
103	11621	WASHER, LOCK, M10	4	rev 00 - 04/2011
125	60854	THROTTLE LEVER & CABLE	1	rev 01 - 09/2011
127	60860	CLAMP BAR	1	OPTIONAL
128	31177	WASHER, FLAT, M10	2	OPTIONAL
129	11621	WASHER, LOCK, M10	2	OPTIONAL
130	14997	HHCS, M10 x 45	2	OPTIONAL
131	60861	URETHANE MAT	1	OPTIONAL

THIS PAGE INTENTIONALLY LEFT BLANK

PARTS LIST 2

B200

EXCITER ASSEMBLY



PARTS LIST 2

B200

EXCITER ASSEMBLY - 60855

ITEM NO.	PART NO.	DESCRIPTION	QTY.	REMARK
61	60837	EXCITER HOUSING	1	rev 00 - 04/2011
62	60847	PLUG	1	rev 00 - 04/2011
63	60848	PLUG SEAL RING	1	rev 00 - 04/2011
68	60838	EXCITER SHAFT	1	rev 02 - 06/2013
69	60845	BEARING	2	rev 00 - 04/2011
70	60840	END CAP, RIGHT	1	rev 00 - 04/2011
71	60839	END CAP, LEFT	1	rev 00 - 04/2011
72	60841	END COVER	1	rev 00 - 04/2011
73	60844	OIL SEAL, SHAFT	1	rev 00 - 04/2011
74	60843	O-RING	2	rev 00 - 04/2011
75	11619	HHCS, M8 X 25MM	8	rev 00 - 04/2011
76	10998	WASHER, LOCK, M8	8	rev 00 - 04/2011
77	11000	WASHER, FLAT, M8	8	rev 00 - 04/2011
78	60842	SHEAVE	1	rev 00 - 04/2011
79	60846	KEY, EXCITER SHAFT	1	rev 00 - 04/2011
80	14998	RETAINING WASHER	1	rev 00 - 04/2011
81	13348	HHCS, M10 X 25MM	1	rev 01 - 09/2011
82	11621	WASHER, LOCK, M10	1	rev 01 - 09/2011



BARTELL

BARTELL MORRISON INC.



BARTELL MORRISON INC.

375 Annagem Blvd.
Mississauga, Ontario, Canada
L5T3A7

Toll Free: 866-501-1683

Local: 905-364-4200

Fax: 905-364-4201

www.bartellmorrison.com

BARTELL MORRISON (USA) LLC.

200 Commerce Dr.
Freehold, New Jersey, USA
07728

Toll Free: 888-999-1570

Local: 732-566-5400

Fax: 732-566-5444

www.bmiamerica.com

BARTELL morrison **SPE** **Innovatech™**
CONCRETE EQUIPMENT CONCRETE EQUIPMENT Surface Preparation Equipment

