

BARTELL

CONCRETE EQUIPMENT

Bartell Morrison Inc.
375 Annagem Blvd.,
Mississauga, ON, Canada
L5T 2A7

Toll Free (N.A.): 1 866 501 1683

Local: +1 905 364 4200

Fax: +1 905 364 4201

PARTS *MANUAL* **WALK-BEHIND TROWEL**

B436

B436E

B436SD

Effective Serial Numbers:
127458, 127543, 127782,
127834 and higher.



**ORIGINAL
LANGUAGE**

Doc. # PB-B09001
Orig. Rel. - 05-2010
Curr. Rev. - 10
Rev. Date - 06-2014

Bartell Morrison (USA) LLC
375 Annagem Blvd.
Mississauga, Ontario, Canada
L5T 3A7
Toll Free (N.A.): (866) 501-1683
Phone: (905) 364-4200
Facsimile: (905) 364-4201
www.bartellmorrison.com

Bartell Morrison (USA) LLC
200 Commerce Drive,
Freehold, New Jersey, USA
07735
Toll Free: 888-999-1570
Phone: (732) 566-5400
Facsimile: (732) 566-5444
www.bmiamerica.com

**ORIGINAL LANGUAGE PARTS BOOK FOR
 BARTELL WALK-BEHIND POWER TROWELS**

© 2010 Bartell Morrison Inc.

No part of this work may be reproduced or transmitted in any form or by any means, electronic or mechanical, including photocopying and recording, or by any information storage or retrieval system without the prior written permission of Bartell Morrison Inc. unless such copying is permitted by federal copyright laws.

Address inquiries or reference permissions care of:

Bartell Morrison Inc.,
 375 Annagem Blvd.,
 Mississauga, Ontario,
 Canada, L5T 3A7

Revision	Date	Description	Approved by.
00	05/2010	Initial release	RL
01	02/2011	Updated item number references.	RL
02	04/2011	Corrected part number 21730 in Parts List 3 (was 21729)	RL
03	09/2011	Updated for mounting plate design change.	RL
04	06/2012	Updated part numbers and diagrams.	AL
05	07/2012	Diagram and cover page update.	AL
06	07/2012	Parts and diagram update for electric handle.	AL
07	01/2013	Updated part numbers and diagrams.	AL
08	08/2013	Updated part numbers.	AL
09	09/2013	Updated part numbers.	AL
10	06/2014	Address Update	AL

PARTS BOOK

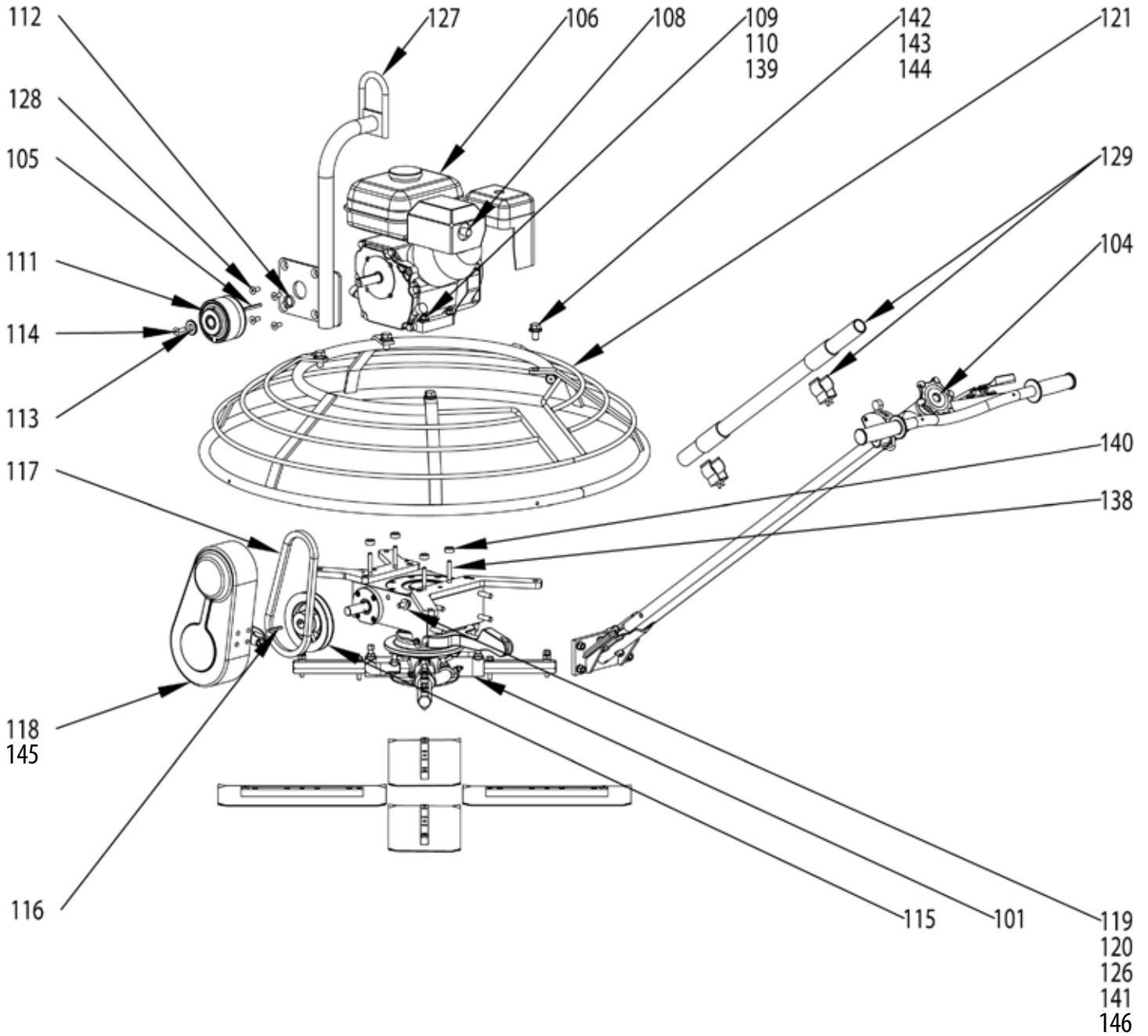
WALK-BEHIND TROWELS

TABLE OF CONTENTS

1. GENERAL ASSEMBLY	4
2. GENERAL ASSEMBLY - B436 ELECTRIC	8
3. GENERAL ASSEMBLY - B436 AIR	10
4. BASE UNIT ASSEMBLY	14
5. HANDLE ASSEMBLY - FINE PITCH	16
6. HANDLE ASSEMBLY - EUROPEAN	18
7. HANDLE ASSEMBLY - ELECTRIC	20
8. HANDLE ASSEMBLY - AIR	22
9. GEARBOX ASSEMBLY	24
10. CLUTCH ASSEMBLY	26
11. SPIDER PLATE ASSEMBLY	28
12. PRESSURE PLATE ASSEMBLY	28
13. BLADE KIT ASSEMBLY	30

PARTS LIST 1 WALK-BEHIND TROWELS

GENERAL ASSEMBLY - B436, B436SD



PARTS LIST 1

WALK-BEHIND TROWELS

GENERAL ASSEMBLY - B436, B436SD

ITEM NO.	PART NO.	DESCRIPTION	QTY.	REMARK
101	N/A	BASE UNIT (SEE PARTS LIST 2)	1	6/8/2004
104	20610	HANDLE ASSEMBLY, FINE PITCH (SEE PARTS LIST 3)	1	6/8/2004
	20772	HANDLE ASSEMBLY, QUICKPITCH		6/8/2004
	20612	HANDLE ASSEMBLY, EUROPEAN SPEC.		12/12/2012
	20507	HANDLE ASSEMBLY, ELECTRIC		11/15/2007
	20545	HANDLE ASSEMBLY, AIR		11/15/2007
105	10206 (GX160)	SQUARE KEY 3/16" x 1 7/8"LG	1	8/16/2007
	11003(GX270)	SQUARE KEY, 1/4" x 2"LG		
106	ENGINE	ENGINE	1	6/8/2004
108	11112	MUFFLER DEFLECTOR	1	8/21/2007
109	10402 (GX160)	WASHER, LOCK, 5/16"	4	6/8/2004
	10902 (GX270)	WASHER, LOCK, 3/8"		
110	10915 (GX160)	HEX NUT, 5/16"-18UNC, GRADE 5	4	6/8/2004
	10901 (GX270)	HEX NUT, 3/8"-16UNC, GRADE 5		
111	21027 (GX160)	CLUTCH, 3/4" BORE (SEE PARTS LIST 5)	1	6/8/2004
	21029 (GX270)	CLUTCH, 1" BORE		
112	11254 (GX160)	CLUTCH SPACER	1	6/8/2004
	N/A (GX270)			
113	30042 (GX160)	CLUTCH RETAINER	1	8/16/2007
	N/A (GX270)			
114	10742 (GX160)	SCREW, FLAT HEAD, 5/16"-24UNF X 1-1/2"	1	10/9/2012
	N/A (GX270)			
115	10739 (GX160)	SHEAVE	1	10/9/2012
	14285 (GX270)			8/16/2007
116	10208	SQUARE KEY, 3/16" x 1 1/2" LG	1	8/16/2007
117	10756 (GX160)	BELT, BX25	1	10/9/2012
	11047 (GX270)	BELT, B28		8/16/2007
118	21067	BELT GUARD	1	10/9/2012
119	10902	WASHER, LOCK, 3/8"	1	6/8/2004
120	10901	HEX NUT, 3/8"-16UNC	1	6/8/2004
121	20447	GUARD RING	1	6/8/2004
126	11029	STUD, 3/8"-16UNC x 3/4"LG	1	8/16/2007

PARTS LIST 1

WALK-BEHIND TROWELS

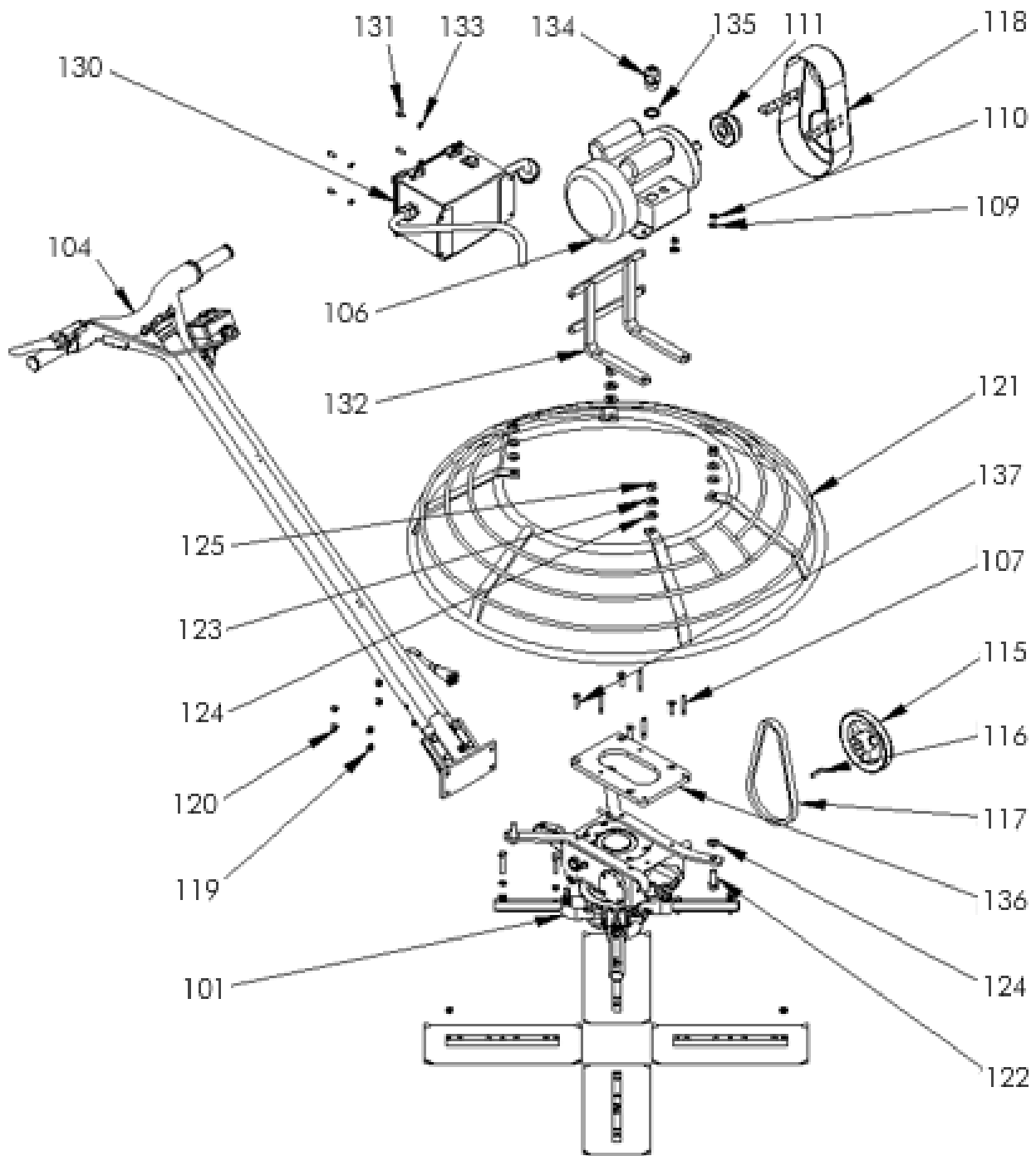
GENERAL ASSEMBLY - B436, B436SD Continued

ITEM NO.	PART NO.	DESCRIPTION	QTY.	REMARK
127	20189 (GX160) 20171 (GX270)	HOIST HOOK (optional)	1	6/8/2004
128	30041	FHSCS, 5/16"-24UNF x 3/4"LG (optional)	4	6/8/2004
129	20512	CARRY BAR ASSEMBLY (optional)	1	6/8/2004
138	14653 (GX160) 14650 (GX270)	STUD, ENGINE MOUNT	4	1/16/2013 4/15/2011
139	10919 (GX160) 10905 (GX270)	WASHER, FLAT, 5/16" WASHER, FLAT, 3/8"	2	4/15/2011 4/15/2011
140	10104 (GX270)	SPACER, 5/16"	4	4/15/2011
141	10919	WASHER, FLAT, 5/16"	2	4/15/2011
142	13781	HHCS, 1/2-13UNC x 1" LG	4	4/15/2011
143	10009	WASHER, LOCK, 1/2"	4	4/15/2011
144	50026	WASHER, FLAT, 1/2"	4	4/15/2011
145	10409	HHCS, 5/16-18 x 1/2" LG	1	4/15/2011
146	11052	HEX HEAD JAM NUT 3/8-16 UNC	1	4/15/2011
147	11796	OIL DRAIN HOSE - GX160, EX17 (NOT SHOWN)	1	4/15/2011
	11800	OIL DRAIN HOSE - GX270, 340, 390 (NOT SHOWN)	1	4/15/2011

THIS PAGE HAS BEEN INTENTIONALLY LEFT BLANK

PARTS LIST 1 WALK-BEHIND TROWELS

GENERAL ASSEMBLY: ELECTRIC- B436, B436SD



PARTS LIST 1

WALK-BEHIND TROWELS

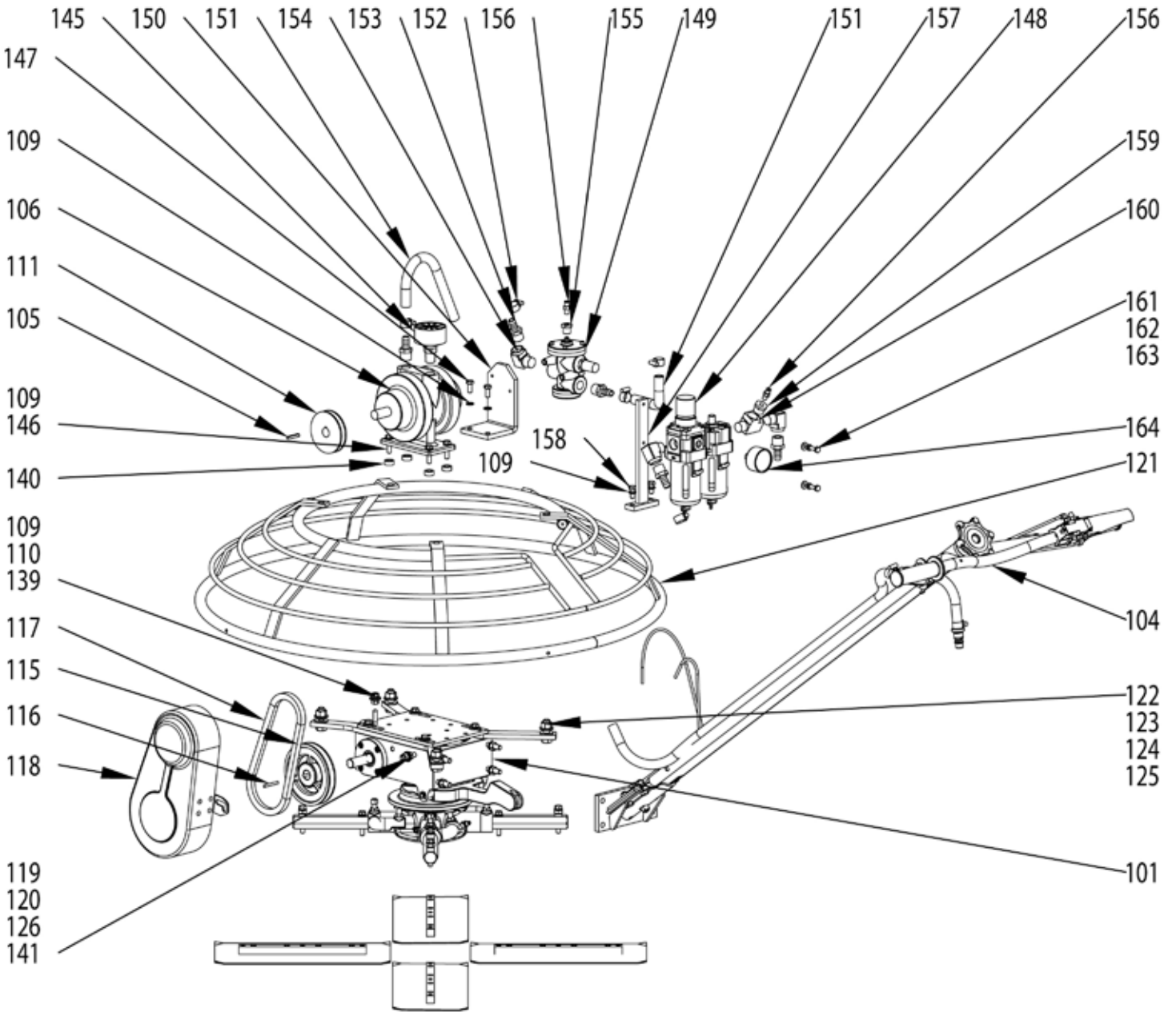
GENERAL ASSEMBLY: ELECTRIC - B436, B436SD

ITEM NO.	PART NO.	DESCRIPTION	QTY.	REMARK
101	N/A	BASE UNIT	1	6/8/2004
104	20507	HANDLE ASSEMBLY	1	8/21/2007
106	50559	ELECTRIC MOTOR, 3HP, 230V, 1 PH	4	8/21/2007
107	14278	STUD, MOTOR MOUNT	1	6/8/2004
109	11614	WASHER, LOCK, M8	1	8/21/2007
110	11615	HEX NUT, M8-1.25	1	6/8/2004
111	21084	CLUTCH (WITH KEY)	4	6/8/2004
115	14285	SHEAVE	1	8/21/2007
116	13597	SQUARE KEY, 3/16"	4	6/8/2004
117	11300	BELT, 4L250	4	6/8/2004
118	21064	BELT GUARD	1	6/8/2004
119	10902	WASHER, LOCK, 3/8"	1	6/8/2004
120	10901	HEX NUT, JAM, 3/8"-16UNC	1	8/16/2007
121	20447	GUARD RING	1	8/16/2007
122	30019	HHCS, 1/2"-13UNC x 1 1/2"LG	1	8/16/2007
123	50026	WASHER, FLAT, 1/2"	1	6/8/2004
124	11296	WASHER, RUBBER, 5/8"	1	8/16/2007
125	10547	NUT, NYLOCK, 1/2"-13UNC	1	8/16/2007
130	51080	STARTER ASSEMBLY, 3 HP, 230V, 1PH	1	6/8/2004
131	30031	HHCS, 1/4"-20UNC x 3/4"LG	1	6/8/2004
132	50151	BRACKET, MOTOR & STARTER	1	6/8/2004
133	10521	WASHER, LOCK, 1/4"	4	8/16/2007
134	50636	STRAIN RELIEF	4	6/8/2004
135	50637	LOCK NUT, STRAIN RELIEF	8	6/8/2004
136	11741	MOTOR MOUNT PLATE	4	6/8/2004
137	50529	FHSCS, 5/16"-18UNC x 1 1/4"LG	1	8/16/2007
999	51085	FUSE, TIME DELAY, 3/10 AMP (not shown)	1	6/8/2004

PARTS LIST 1

WALK-BEHIND TROWELS

GENERAL ASSEMBLY: AIR - B436, B436SD



PARTS LIST 1

WALK-BEHIND TROWELS

GENERAL ASSEMBLY: AIR - B436, B436SD

ITEM NO.	PART NO.	DESCRIPTION	QTY.	REMARK
101	N/A	BASE UNIT	1	---
104	20545	HANDLE ASSEMBLY	1	---
105	50309	KEY, 3/16" SQ x 1-1/4" LG	1	---
106	50381	GAST 8 AIR MOTOR ASSEMBLY	1	---
109	10402	WASHER, LOCK, 5/16"	21	---
110	10915	HEX NUT, 5/16"-18UNC, GRADE 5	4	---
111	50379	SHEAVE, DRIVING	1	---
115	14270	SHEAVE, DRIVEN	1	---
116	10208	KEY, 3/16" SQ x 1-1/2" LG	1	---
117	11007	BELT, A24/4L260	1	---
118	21066	BELT GUARD	1	---
119	10902	WASHER, LOCK, 3/8"	1	---
120	10901	HEX NUT, JAM, 3/8"-16UNC	1	---
121	20447	GUARD RING	1	---
122	10955	HHCS, M12-1.75 x 40MM LG	4	---
123	50026	WASHER, FLAT, 1/2"	4	---
124	11296	WASHER, RUBBER, 5/8"	8	---
125	10956	NUT, NYLOCK, M12-1.75	4	---
126	11029	STUD, 3/8"-16UNC x 1-3/4"LG	1	---
129	20512	CARRY BAR ASSEMBLY (optional)	1	---
139	10919	WASHER, FLAT, 5/16"	1	---
145	50380	MUFFLER	1	---
146	10407	HHCS, 5/16-18UNC x 1-1/4" LG	4	---
147	30142	HHCS, 5/16-18UNC x 3/4" LG	2	---
148	50494	AIR REGULATOR	1	---
149	10598	3 WAY VALVE	1	---
150	50645	VALVE BRACKET	1	---
151	50180	MOTOR HOSE 6"	2	---
152	50161	HOSE CLAMP 1/2"	6	---
153	50163	1/2" HOSE FITTING	5	---
154	50174	1/2" ELBOW	2	---
155	50751	BUSHING, 1/4"MPT x 1/8"FPT	1	---
156	10571	1/8-27 NPT STR.FITTING	2	---
157	50493	REGULATOR BRACKET	1	---
158	30142	HHCS, 5/16-18UNC x 3/4" LG	2	---

PARTS LIST 1

WALK-BEHIND TROWELS

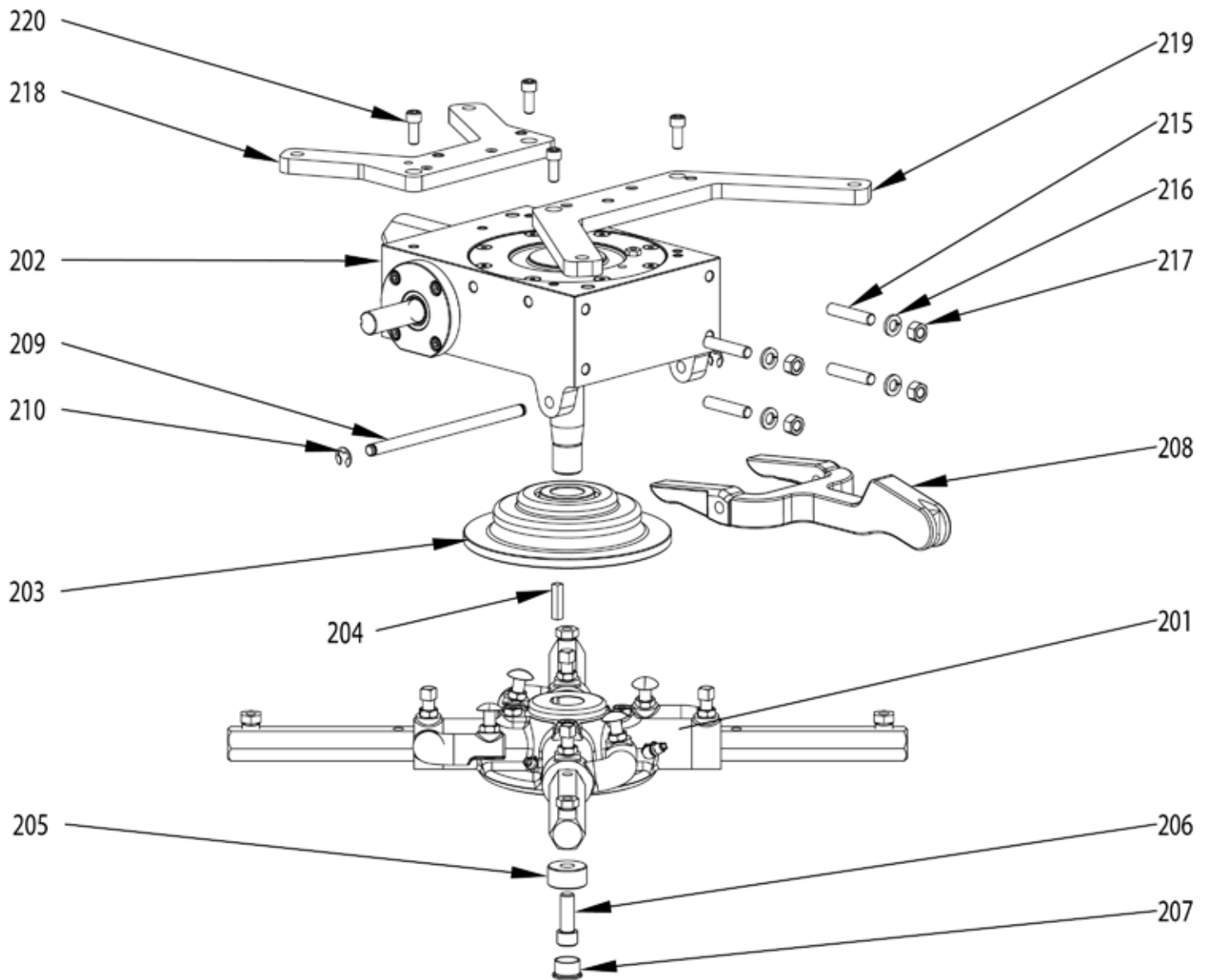
GENERAL ASSEMBLY: AIR - B436, B436SD

ITEM NO.	PART NO.	DESCRIPTION	QTY.	REMARK
159	50752	BUSHING, 1/2"MPT x 1/8"FPT	1	---
160	50753	STREET TEE, 1/2"	1	---
161	10963	HHCS, 1/4-20UNC x 3/4" LG	2	---
162	11043	WASHER, FLAT, 1/4"	2	---
163	10521	LOCKWASHER, 1/4"	2	---
164	50176	GAUGE	1	---

THIS PAGE HAS BEEN INTENTIONALLY LEFT BLANK

PARTS LIST 2 WALK-BEHIND TROWELS

BASE UNIT ASSEMBLY: B436, B436E, B436SD



PARTS LIST 2

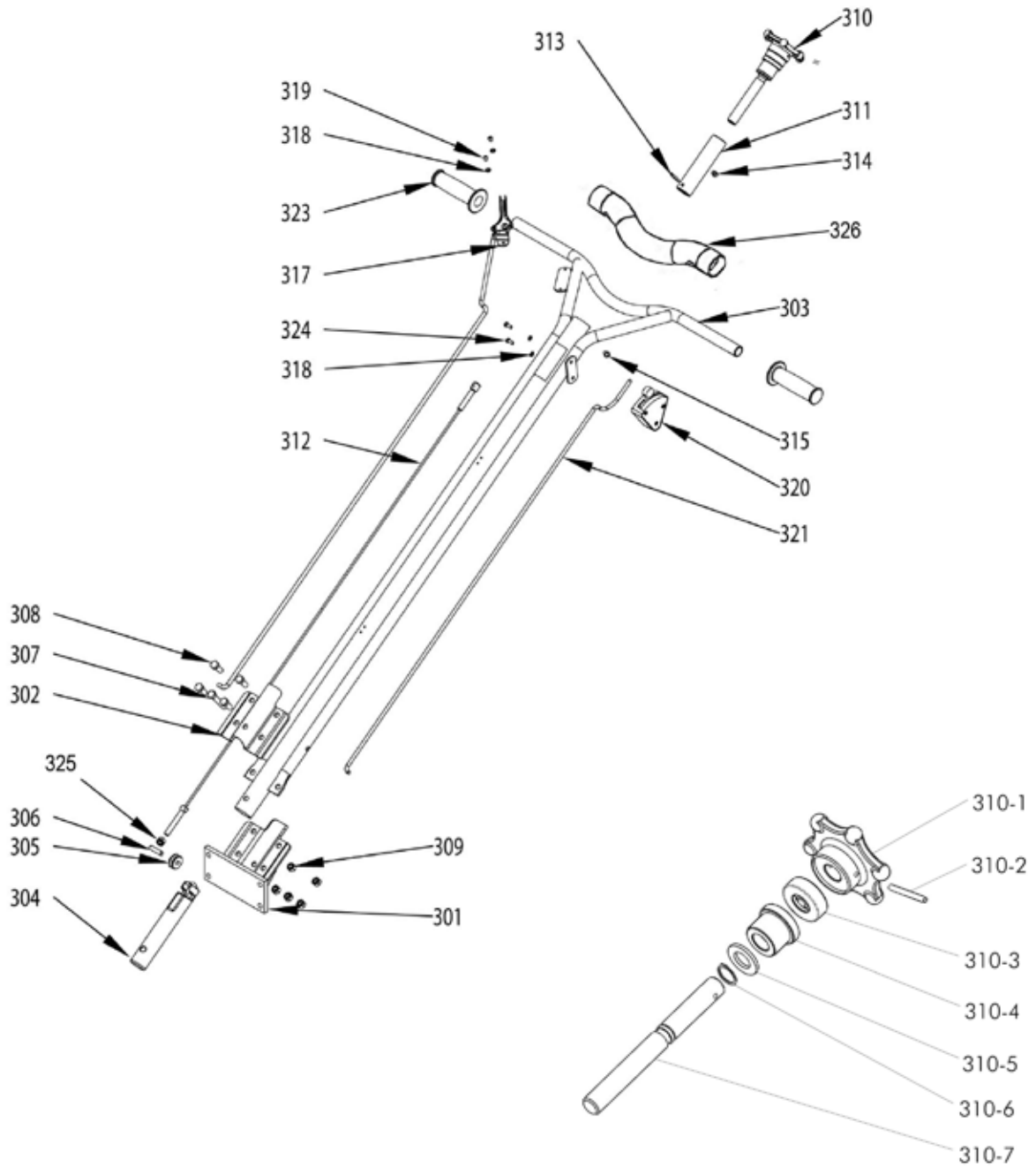
WALK-BEHIND TROWELS

BASE UNIT ASSEMBLY: B436, B436E, B436SD

ITEM NO.	PART NO.	DESCRIPTION	QTY.	REMARK
201	20810	SPIDER PLATE ASSEMBLY (SEE PARTS LIST 5)	1	5/1/2004
202	20921 20943	GEARBOX ASSEMBLY, B436, B436E (SEE PARTS LIST 4) GEARBOX ASSEMBLY, B436SD	1	4/7/1998 4/7/1998
203	20627	PRESSURE PLATE ASSEMBLY (SEE PARTS LIST 5)	1	1/1/1997
204	10608	KEY, 1/4"SQ x 1-5/32"LG	1	1/1/1997
205	10814	SPIDER PLATE RETAINER	1	1/1/1997
206	10812	SHCS, 7/16"-14UNC x 1 1/4"LG	1	1/1/1997
207	10823	CAP PLUG EC-12	1	1/1/1997
208	10312	YOKE ARM	1	3/1/2004
209	10923	YOKE PIN	1	1/1/1997
210	10922	RETAINING RING, E TYPE, 3/8" DIA	2	1/1/1997
215	11339	STUD, 3/8"-16 x 1-1/2"LG	4	1/1/1997
216	10902	WASHER, LOCK, 3/8" DIA, MEDIUM	4	1/1/1997
217	10901	HEX NUT, 3/8"-16UNC	4	1/1/1997
218	15344	MOUNTING RAIL, FRONT	1	5/15/2011
219	15345	MOUNTING RAIL, REAR	1	5/15/2011
220	10357	SHCS, 5/16-18x3/4" LG	4	5/15/2011

PARTS LIST 3 WALK-BEHIND TROWELS

HANDLE ASSEMBLY - 20610 FINE PITCH



PARTS LIST 3

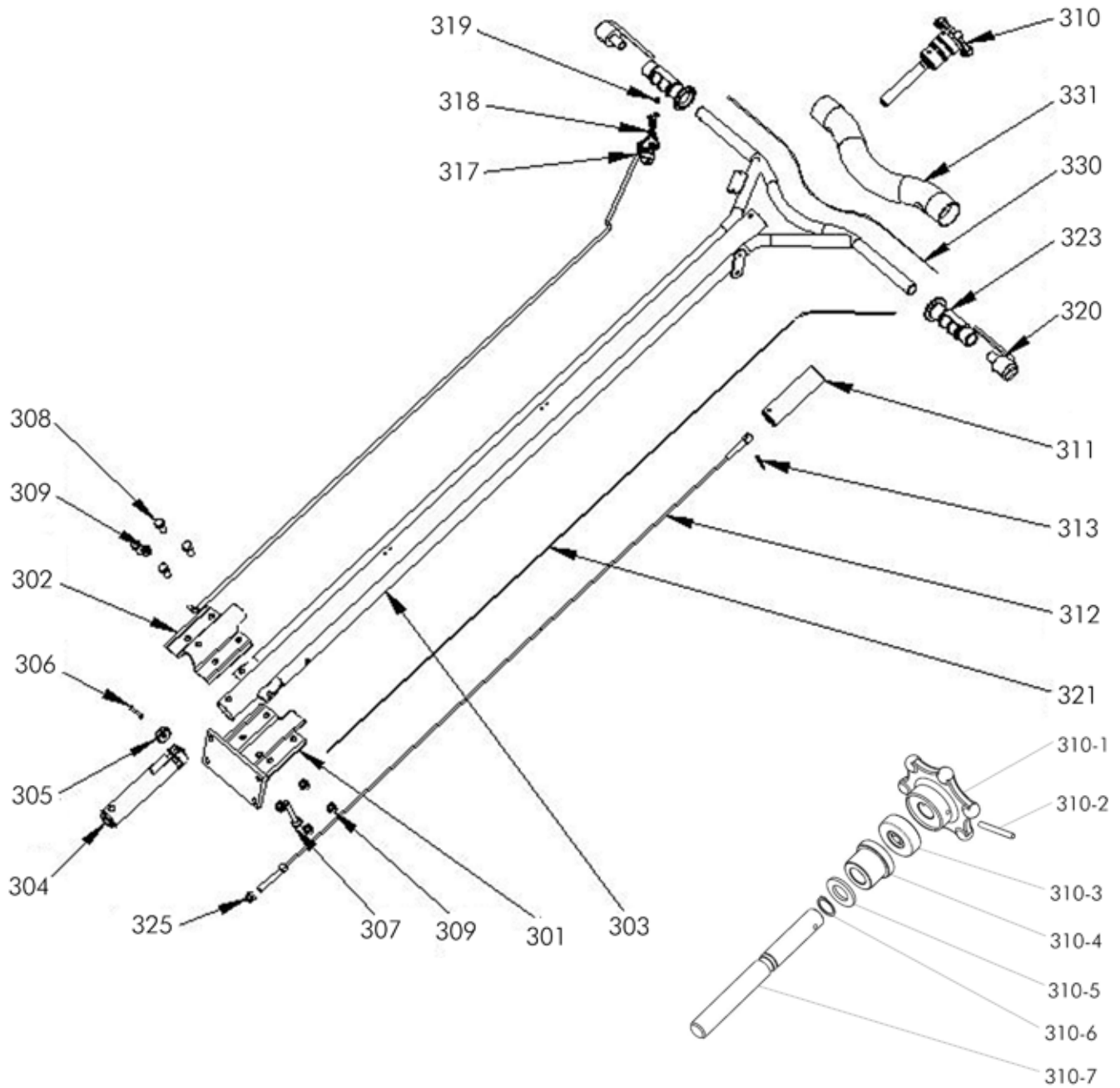
WALK-BEHIND TROWELS

HANDLE ASSEMBLY - 20610

ITEM NO.	PART NO.	DESCRIPTION	QTY.	REMARK
301	20517	HANDLE BRACKET	1	9/27/2007
302	10518	HANDLE CLAMP	1	9/27/2007
303	21703	HANDLE TUBE	1	9/27/2007
304	21704	SUPPORT BLOCK	1	9/27/2007
305	21705	PULLEY	1	9/27/2007
306	21706	DOWEL PIN	1	9/27/2007
307	13350	HHCS M10-1.5 x 60MM LG	1	9/27/2007
308	10889	HHCS M10-1.5 x 30MM LG	4	9/27/2007
309	11802	LOCKNUT, M10-1.5, NYLOCK	5	9/27/2007
310	21714	HAND KNOB ASSEMBLY	1	9/27/2007
310-1	21707	HAND KNOB	1	9/27/2007
310-2	21708	SPRING PIN	1	9/27/2007
310-3	21709	THRUST BEARING	1	9/27/2007
310-4	21710	BUSHING	1	9/27/2007
310-5	21711	WASHER	1	9/27/2007
310-6	21712	RETAINING RING	1	9/27/2007
310-7	21713	SCREW SHAFT	1	9/27/2007
311	21715	SLIDE BUSHING	1	9/27/2007
312	21716	PITCH CONTROL CABLE	1	9/27/2007
313	21724	PIN	1	9/27/2007
314	21725	SHCS M6-1.0 x 6MM LG	1	9/27/2007
315	21726	RHMS M6-1.0 x 12MM LG	1	9/27/2007
317	10508	THROTTLE CABLE ASSEMBLY C/W LEVER	1	9/27/2007
318	10703	WASHER LOCK, #10 INTERNAL STAR	4	9/27/2007
319	21728	RHMS M5-0.8 x 8MM LG	2	9/27/2007
320	21729	SAFETY SWITCH ASSEMBLY	1	9/27/2007
321	20702	WIRE ASSEMBLY	1	9/27/2007
323	21717	HANDLE GRIP (PAIR)	1	9/27/2007
324	10711	HHCS M5-0.8 x 12MM LG	2	9/27/2007
325	10317	LOCKNUT, 3/18"-16, NYLOCK	1	9/27/2007
326	21807	CROSSBAR PAD	1	9/27/2007

PARTS LIST 3 WALK-BEHIND TROWELS

HANDLE ASSEMBLY - 20612 EUROPEAN SPEC.



PARTS LIST 3

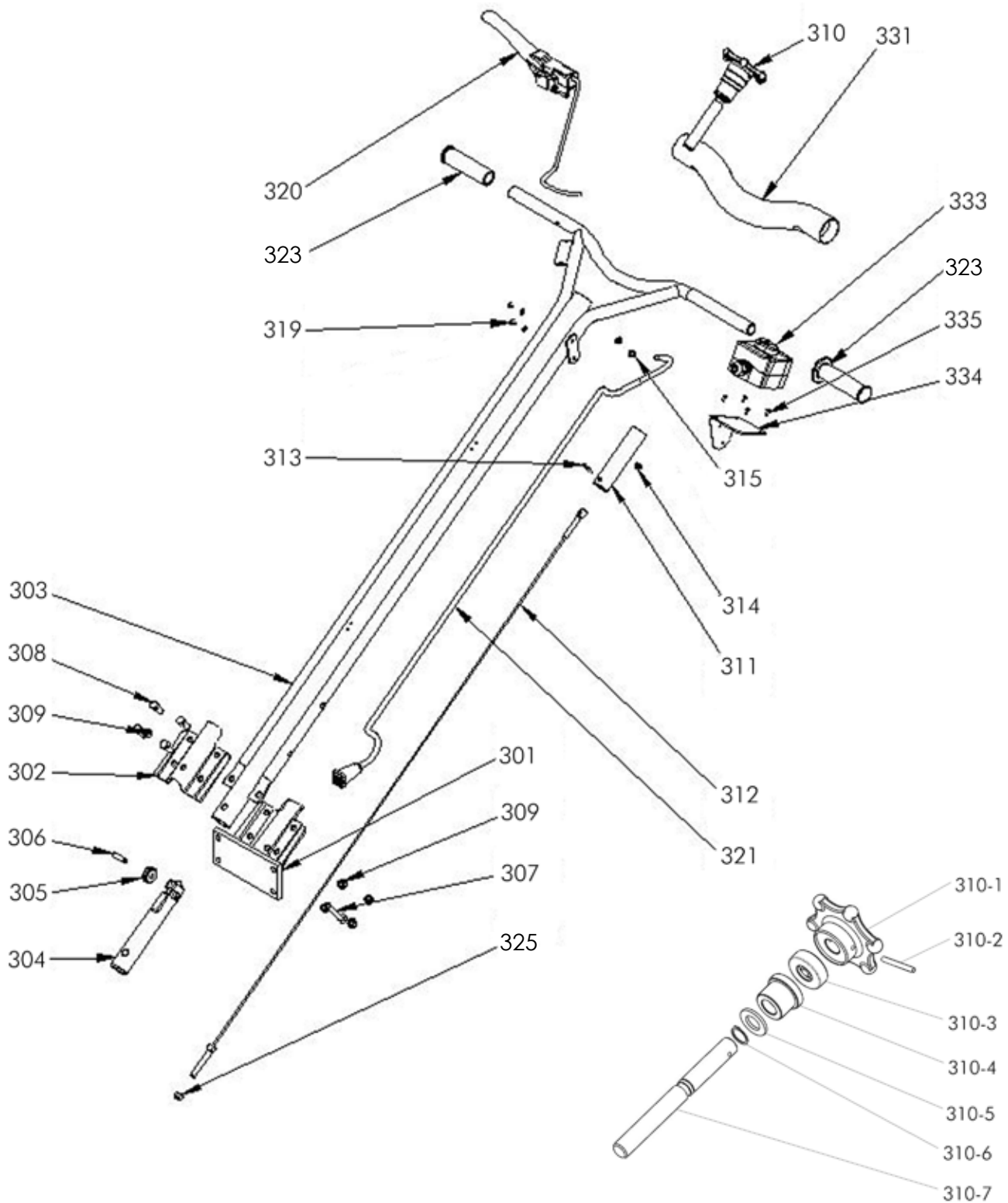
WALK-BEHIND TROWELS

HANDLE ASSEMBLY - 20612 EUROPEAN SPEC.

ITEM NO.	PART NO.	DESCRIPTION	QTY.	
301	20518	HANDLE BRACKET	1	1/17/2008
302	10505	HANDLE CLAMP	1	1/17/2008
303	21718	HANDLE TUBE	1	1/17/2008
304	21719	SUPPORT BLOCK	1	1/17/2008
305	21705	PULLEY	1	1/17/2008
306	21706	DOWEL PIN	1	1/17/2008
307	20539	FHCS, M10-1.5 x 70MM	1	1/17/2008
308	13348	HHCS, M10-1.5 x 25MM	4	1/17/2008
309	11802	LOCK NUT, M10-1.5, NYLOCK	5	1/17/2008
310	21720	HAND KNOB ASSEMBLY	1	1/17/2008
310-1	21707	HAND KNOB	1	1/17/2008
310-2	21708	SPRING PIN	1	1/17/2008
310-3	21709	THRUST BEARING	1	1/17/2008
310-4	21731	BUSHING	1	1/17/2008
310-5	21711	WASHER	1	1/17/2008
310-6	21712	RETAINING RING	1	1/17/2008
310-7	21713	SCREW SHAFT	1	1/17/2008
311	21722	SLIDE BUSHING	1	1/17/2008
312	21723	PITCH CONTROL CABLE	1	1/17/2008
313	21724	SPRING PIN	1	1/17/2008
317	10895	THROTTLE CABLE ASSEMBLY C/W LEVER	1	1/17/2008
318	10703	WASHER, LOCK, #10 DIA, INTERNAL STAR	2	1/17/2008
319	21728	RHMS, #10-24UNCX 1/4"LG	2	1/17/2008
320	11852	SAFETY SWITCH	2	1/17/2008
321	20702	WIRE ASSEMBLY, 93" EURO	1	1/17/2008
323	21717	HANDLE GRIP (PAIR)	1	1/17/2008
325	10317	NYLOCK NUT, 3/8"-16UNC	1	1/17/2008
330	21727	WIRE ASSEMBLY, 27" EURO	1	1/17/2008
331	21721	HANDLE SHIELD PAD	1	1/17/2008

PARTS LIST 3 WALK-BEHIND TROWELS

HANDLE ASSEMBLY - 20507 ELECTRIC



PARTS LIST 3

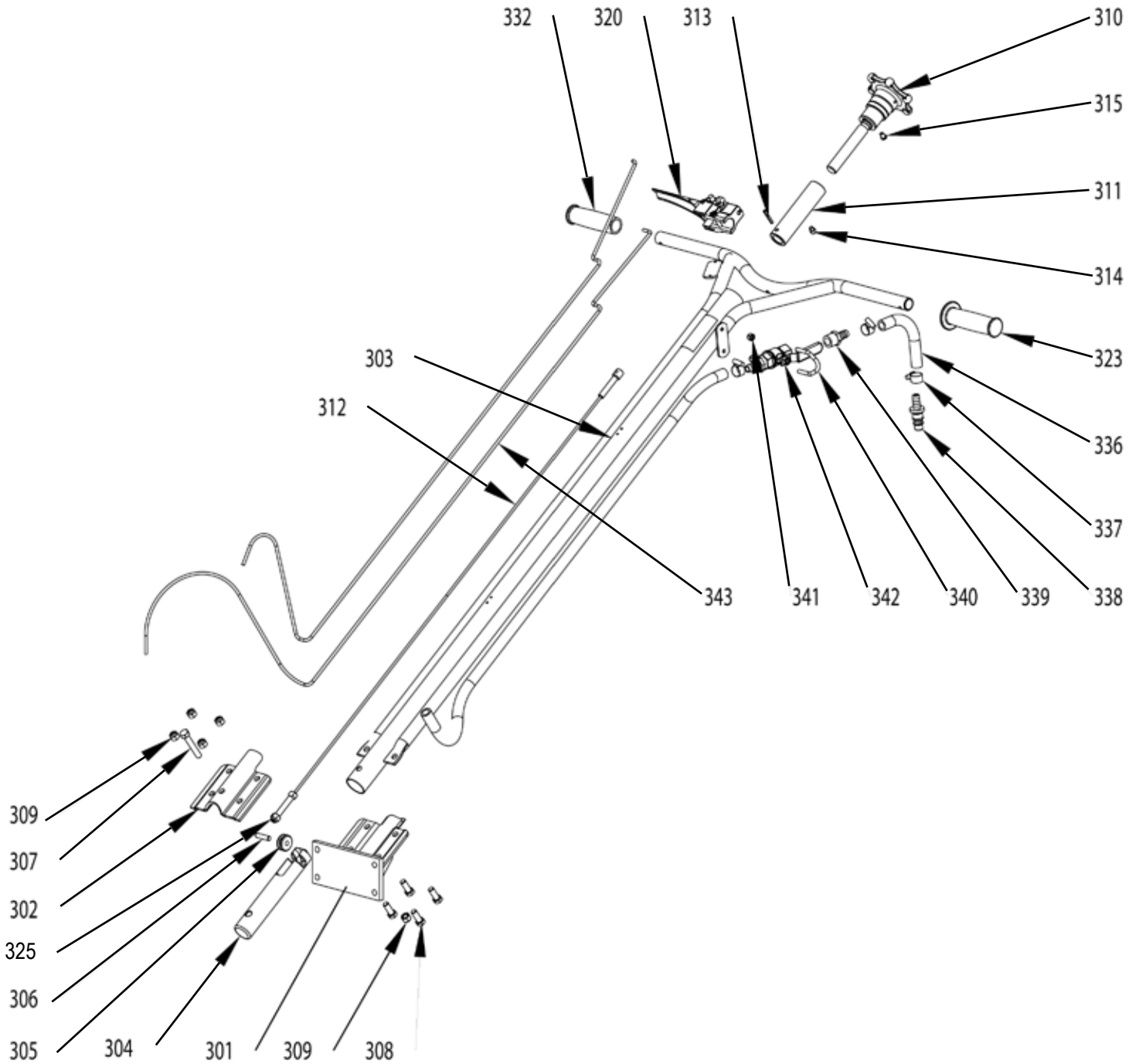
WALK-BEHIND TROWELS

HANDLE ASSEMBLY - 20507 ELECTRIC

ITEM NO.	PART NO.	DESCRIPTION	QTY.	REMARK
301	20517	HANDLE BRACKET	1	1/15/2007
302	10518	HANDLE CLAMP	1	1/15/2007
303	21703	HANDLE TUBE	1	1/15/2007
304	21704	SUPPORT BLOCK	1	1/15/2007
305	21705	PULLEY	1	1/15/2007
306	21706	DOWEL PIN	1	1/15/2007
307	13350	HHCS, 3/8"-16UNC x 2-1/4"LG	2	1/15/2007
308	10889	HHCS, 3/8"UNC x 1"LG	4	1/15/2007
309	11802	LOCKNUT, M10-1.5, NYLOCK	5	1/15/2007
310	21714	HANDLE KNOB ASSEMBLY	1	1/15/2007
310-1	21707	HANDLE KNOB	1	1/15/2007
310-2	21708	SPRING PIN	1	1/15/2007
310-3	21709	THRUST BEARING	1	1/15/2007
310-4	21710	BUSHING	1	1/15/2007
310-5	21711	WASHER	1	1/15/2007
310-6	21712	RETAINING RING	1	1/15/2007
310-7	21713	SCREW SHAFT	1	1/15/2007
311	21715	SLIDE BUSHING	1	1/15/2007
312	21716	PITCH CONTROL CABLE	1	1/15/2007
313	21724	SPRING PIN	1	1/15/2007
314	21725	SHCS, 1/4"-20UNC x 1/4"LG	1	04/30/2008
315	21726	RHMS, 1/4"-20UNC x 1/4"LG, SLOTTED	1	1/15/2007
319	21728	RHMS, #10-24UNC x 1/4"LG, SLOTTED	2	1/15/2007
320	11850	SAFETY SWITCH ASSEMBLY	1	1/15/2007
321	50638	WIRE ASSEMBLY W/PLUG	1	1/15/2007
323	21717	HANDLE GRIP (PAIR)	1	4/30//2008
325	10317	LOCK NUT, 3/8"-16UNC, NYLOCK	1	1/15/2007
331	21807	HANDLE SHIELD PAD	1	1/15/2007
333	50097	SWITCH ASSEMBLY, ON/OFF PUSH BUTTON	1	1/15/2007
334	20594	MOUNTING BRACKET	1	1/15/2007
335	50149	RHMS, #6-32UNC x 3/8"LG, CROSS	4	1/15/2007

PARTS LIST 3 WALK-BEHIND TROWELS

HANDLE ASSEMBLY - 20545 AIR



PARTS LIST 3

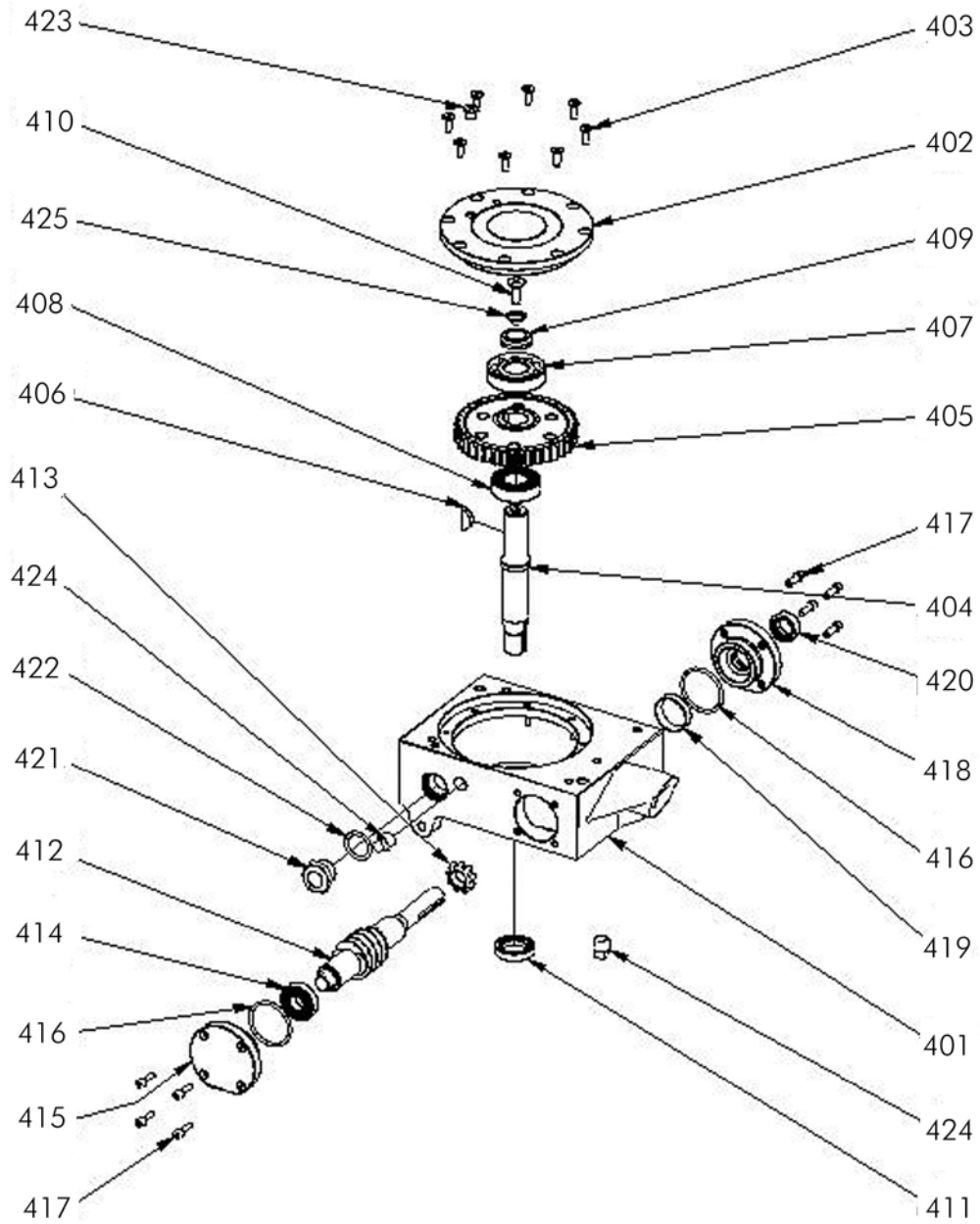
WALK-BEHIND TROWELS

HANDLE ASSEMBLY - 20545 AIR

ITEM NO.	PART NO.	DESCRIPTION	QTY.	REMARK
301	21701	HANDLE BRACKET	1	---
302	21702	HANDLE CLAMP	1	---
303	21703	HANDLE TUBE	1	---
304	21704	SUPPORT BLOCK	1	---
305	21705	PULLEY	1	---
306	21706	DOWEL PIN	1	---
307	13350	HHCS, M10-1.5 x 60MM LG	1	---
308	10889	HHCS, M10-1.5 x 30MM LG	4	---
309	11802	LOCKNUT, M10-1.5, NYLOCK	5	---
310	21714	HAND KNOB ASSEMBLY	1	---
310-1	21707	HAND KNOB	1	---
310-2	21708	SPRING PIN	1	---
310-3	21709	THRUST BEARING	1	---
310-4	21710	BUSHING	1	---
310-5	21711	WASHER	1	---
310-6	21712	RETAINING RING	1	---
310-7	21713	SCREW SHAFT	1	---
311	21715	SLIDE BUSHING	1	---
312	21716	PITCH CONTROL CABLE	1	---
313	21724	SPRING PIN	1	---
314	21725	SHCS, M6-1 x 6MM	1	---
315	21726	RHMS, M5-0.8 x 8MM	1	---
320	50646	SAFETY SWITCH ASSEMBLY	1	---
323	21717	HANDLE GRIP (PAIR)	1	---
325	10317	LOCKNUT, 3/18"-16, NYLOCK	1	---
332	10669	HANDLE GRIP	1	---
336	00729	AIR HOSE, 1/2"	FT	---
337	50161	HOSE CLAMP, 1/2"	3	---
338	50160	1/2" QUICK COUPLING	1	---
339	50163	1/2" HOSE FITTING	2	---
340	50165	VALVE CLAMP	1	---
341	30141	LOCKNUT, 1/4"-20UNC	2	---
342	50164	1/2" BALL VALVE	1	---
343	00408	5/32" POLY TUBING	FT	---

PARTS LIST 4 WALK-BEHIND TROWELS

GEARBOX ASSEMBLY - 20921, 20943



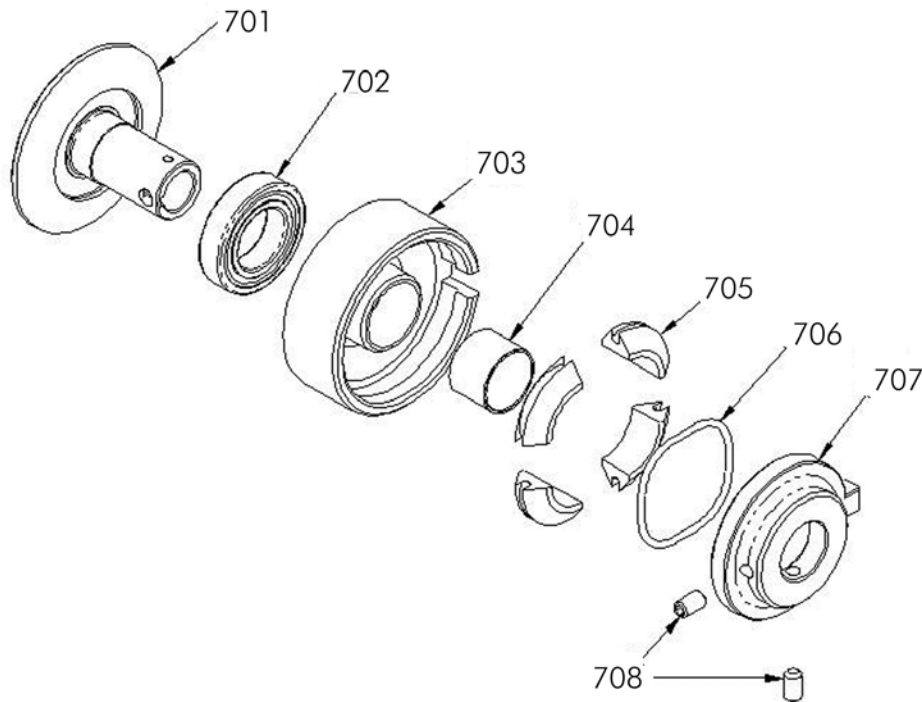
PARTS LIST 4

WALK-BEHIND TROWELS

GEARBOX ASSEMBLY - 20921, 20943 (SLOW DRIVE - EPOXY)

ITEM NO.	PART NO.	DESCRIPTION	QTY.	REMARK
401	10921	GEAR HOUSING	1	5/1/2004
402	10917	GEARBOX COVER	1	1/1/1997
403	10916	FHSCS, 1/4-20 x 3/4" LG	8	1/1/1997
404	10618	MAIN SHAFT	1	3/1/2004
405	10616 10634	MAIN GEAR MAIN GEAR, SLOW DRIVE (20943)	1	1/1/1997
406	10615	KEY, WOODRUFF	1	1/1/1997
407	10614	TAPER BEARING, 4T-30305	1	3/1/2004
408	10617	BEARING, 6205	1	1/1/1997
409	10613	PRESSURE WASHER	2	1/1/1997
410	10601	FHSCS, 3/8-16 x 1"LG	8	1/1/1997
411	10677	OIL SEAL, 1 1/16"ID x 1 5/8" OD x 5/16"THK EPDM	1	1/1/1997
412	10279 20248	COUNTERSHAFT COUNTERSHAFT, SLOW DRIVE (20943)	1	1/1/1997
413	10220	BEARING CONE, 4T-6075	1	9/16/2003
414	10224	BEARING, 6203	1	9/16/2003
415	10226	END CAP	1	9/19/2003
416	10227	O-RING, #224, NITRILE	2	1/1/1997
417	10213	SHCS, 1/4-20 x 3/4"LG, ZINC PLATED	8	1/1/1997
418	10217	FLANGE	1	1/1/1997
419	10219	BEARING CUP, 4T-6157	1	1/1/1997
420	10678	OIL SEAL, 3/4"ID x 1-1/4"OD x 3/8"THK, EPDM	1	1/1/1997
421	10930	SIGHT PLUG	1	1/1/1997
422	10931	O-RING, #213, EPDM	1	1/1/1997
423	10909	RELIEF VALVE	1	1/1/1997
424	10911	PIPE PLUG, 3/8 NPT	2	1/1/1997
425	10637	WASHER, LOCK, 3/8"DIA	1	2/7/2006

PARTS LIST 5 WALK-BEHIND TROWELS



CLUTCH ASSEMBLY - 21027 (3/4" Shaft)

ITEM NO.	PART NO.	DESCRIPTION	QTY.	REMARK
701	11484	SPINDLE	1	8/21/2007
702	11044	BEARING	1	8/21/2007
703	21046	DRUM W/BUSHING	1	8/21/2007
704	11012	BUSHING	1	8/21/2007
705	11014	WEIGHT (SHOE)	4	8/21/2007
706	10759	SPRING	1	8/21/2007
707	11015	FACE PLATE	1	8/21/2007
708	50117	SET SCREW	2	8/21/2007

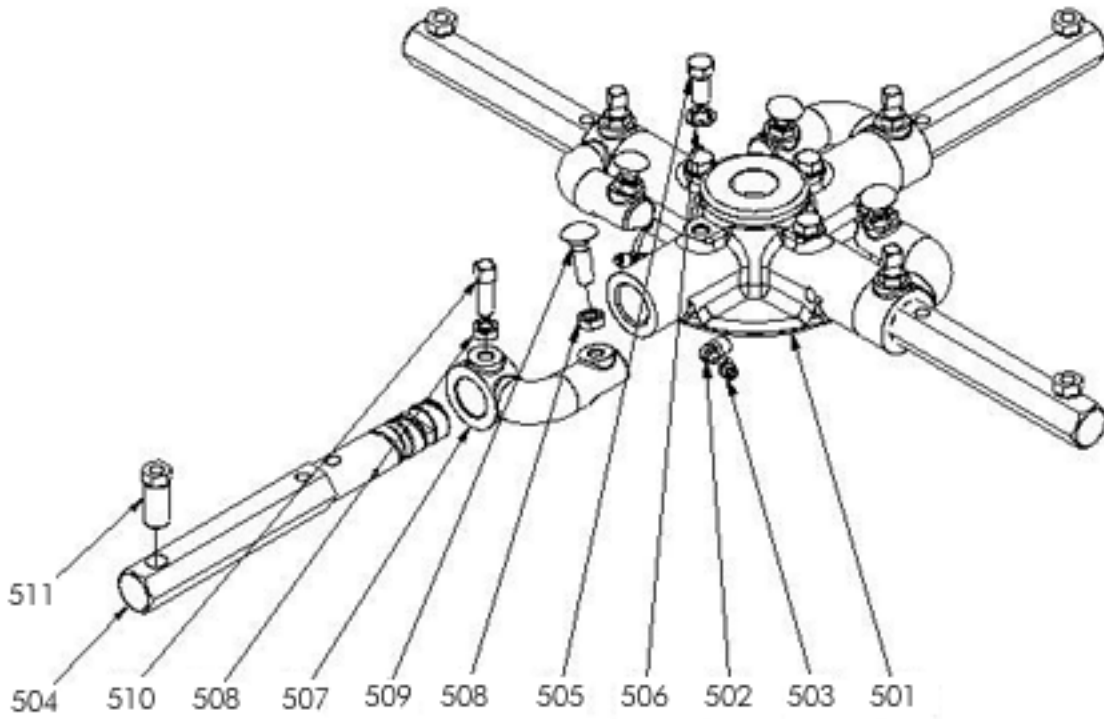
CLUTCH ASSEMBLY - 21029 (1" Shaft)

ITEM NO.	PART NO.	DESCRIPTION	QTY.	REMARK
701	11045	SPINDLE	1	8/21/2007
702	11044	BEARING	1	8/21/2007
703	21046	DRUM W/BUSHING	1	8/21/2007
704	11012	BUSHING	1	8/21/2007
705	11014	WEIGHT (SHOE)	4	8/21/2007
706	10759	SPRING	1	8/21/2007
707	11015	FACE PLATE	1	8/21/2007
708	50117	SET SCREW	2	8/21/2007

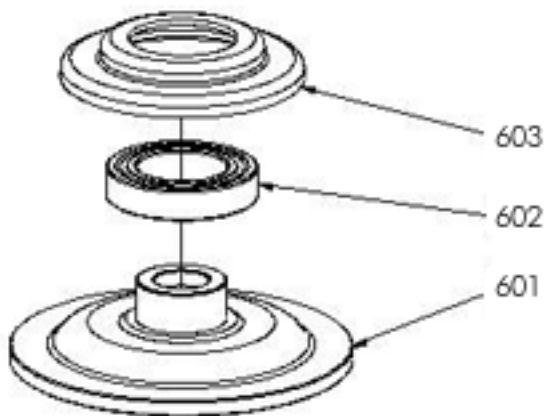
THIS PAGE HAS BEEN INTENTIONALLY LEFT BLANK

PARTS LIST 6 WALK-BEHIND TROWELS

SPIDER PLATE ASSEMBLY



PRESSURE PLATE ASSEMBLY



PARTS LIST 6

WALK-BEHIND TROWELS

SPIDER PLATE ASSEMBLY - 20810

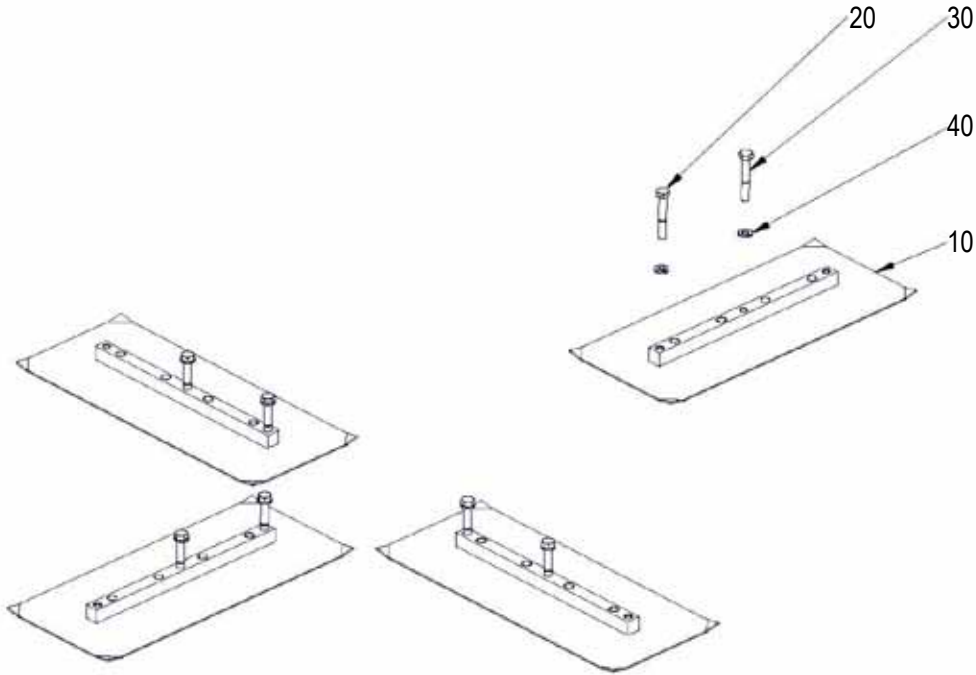
ITEM NO.	PART NO.	DESCRIPTION	QTY.	REMARK
501	10810	GREASE SPIDER PLATE	1	1/1/1997
502	10801	GREASE FITTING, 1/8NPT x 65	4	1/1/1997
503	10822	CAP PLUG, GREASE NIPPLE, RED	4	1/1/1997
504	10411	TROWEL ARM	4	9/5/2000
505	10806	HHCS, 3/8-16 x 7/8"LG	4	1/1/1997
506	10805	LOCK WASHER, 3/8" DIA	4	1/1/1997
507	10817	LIFT LEVER	4	9/12/2000
508	10808	JAM NUT, 3/8-16	8	1/1/1997
509	10807	CARRIAGE BOLT, 3/8-16 x 1-1/4"LG	4	1/1/1997
510	10809	SHSS, 3/8-16 x 1"LG, CUP PT.	4	1/1/1997
511	10404	ADJUSTING SCREW, 1-1/4"LG	4	1/1/1997

PRESSURE PLATE ASSEMBLY - 20627

ITEM NO.	PART NO.	DESCRIPTION	QTY.	REMARK
601	10660	PRESSURE PLATE	1	1/1/1997
602	10664	THRUST BEARING P/P	1	1/1/1997
603	10668	PRESSURE PLATE CAP	1	12/6/2002

PARTS LIST 7 WALK-BEHIND TROWELS

BLADE KIT ASSEMBLY



B436 FINISH BLADES, IMPERIAL

ITEM NO.	PART NO.	DESCRIPTION	QTY.	REMARK
10	20414	TROWEL BLADE, IMPERIAL, FINISH, 6" X 14"	4	8/20/2007
	20479	8" X 14" COMBO BLADE	4	8/20/2007
	20415	10" X 14" FLOAT BLADE (clip-on)	4	8/20/2007
20	10401	HEX HD. CAP SCREW, 5/16"-18UNC X 1-1/2"	4	8/20/2007
30	10403	HEX HD. CAP SCREW, 5/16"-18UNC X 2"	4	8/20/2007
40	10402	LOCK WASHER, 5/16"	8	8/20/2007

B436 FINISH BLADES, METRIC

ITEM NO.	PART NO.	DESCRIPTION	QTY.	REMARK
10	20457	TROWEL BLADE, METRIC, FINISH, 6" X 14"	4	8/20/2007
	20415	10" X 14" FLOAT BLADE (clip-on)	4	8/20/2007
	20483	8" X 14" METRIC BLADE	4	8/20/2007
20	10452	HEX HD. CAP SCREW, M8-1.25 X 40MM	4	8/20/2007
30	10453	HEX HD. CAP SCREW, M8-1.25 X 50MM	4	8/20/2007
40	10402	LOCK WASHER, 5/16"	8	8/20/2007

THIS PAGE HAS BEEN INTENTIONALLY LEFT BLANK



BARTELL

BARTELL MORRISON INC.



BARTELL MORRISON INC.

375 Annagem Blvd.
Mississauga, Ontario, Canada
L5T3A7

Toll Free: 866-501-1683

Local: 905-364-4200

Fax: 905-364-4201

www.bartellmorrison.com

BARTELL MORRISON (USA) LLC.

200 Commerce Dr.
Freehold, New Jersey, USA
07728

Toll Free: 888-999-1570

Local: 732-566-5400

Fax: 732-566-5444

www.bmiamerica.com

BARTELL morrison **SPE** **Innovatech™**
CONCRETE EQUIPMENT CONCRETE EQUIPMENT Surface Preparation Equipment

