



STREET SAW
BSS18H39W
PARTS BOOK



www.BARTELLGLOBAL.com

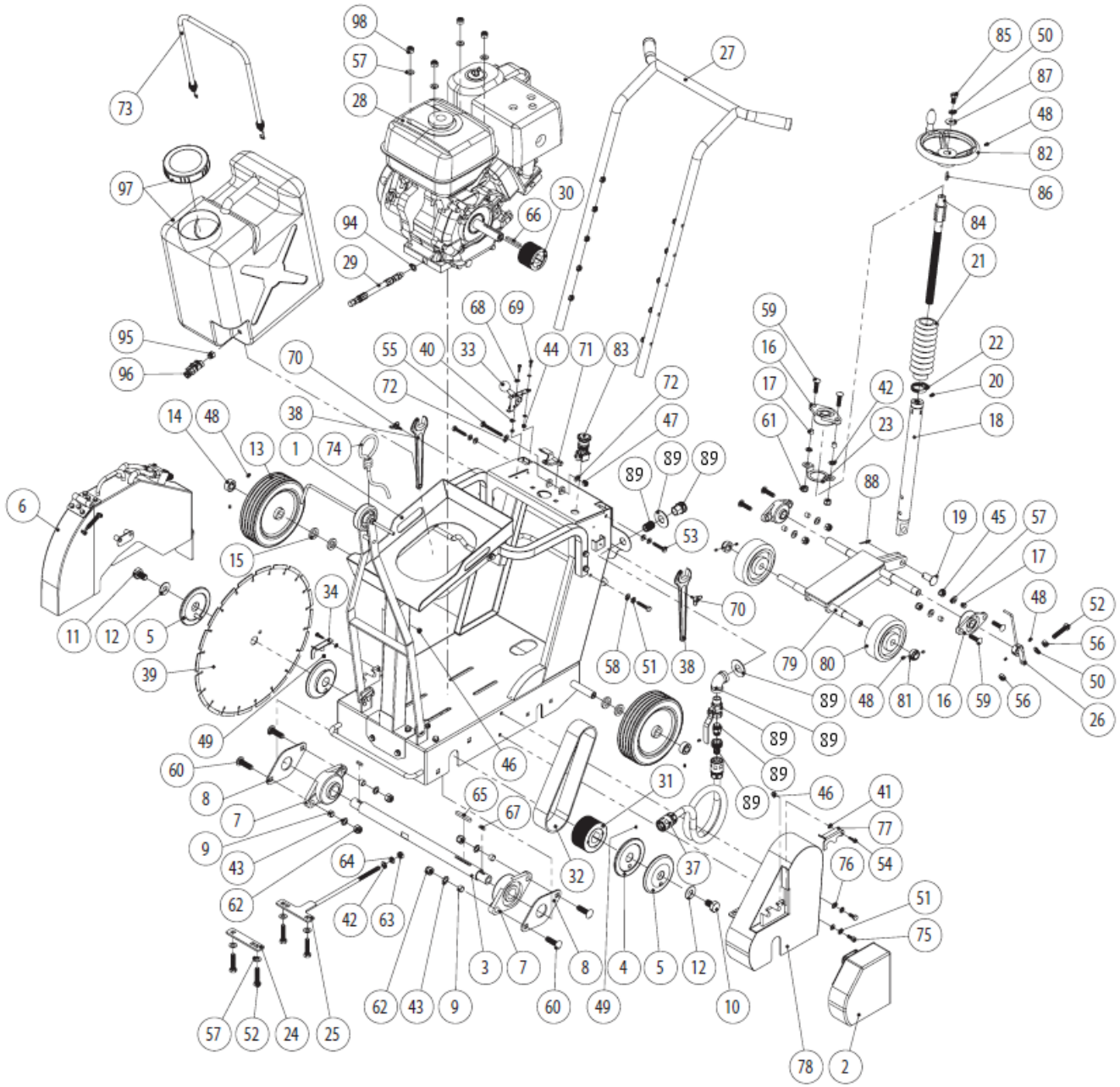
Doc. # PB-B19054
Orig. Rel. - 00/2016
Curr Rev. - 01



TABLE OF CONTENTS

<u>MAIN ASSEMBLY</u>	<u>1</u>
PARTS LIST	2
<u>FRAME ASSEMBLY.</u>	<u>5</u>
PARTS LIST	6
<u>BLADE GUARD ASSEMBLY</u>	<u>7</u>
PARTS LIST	8

MAIN ASSEMBLY



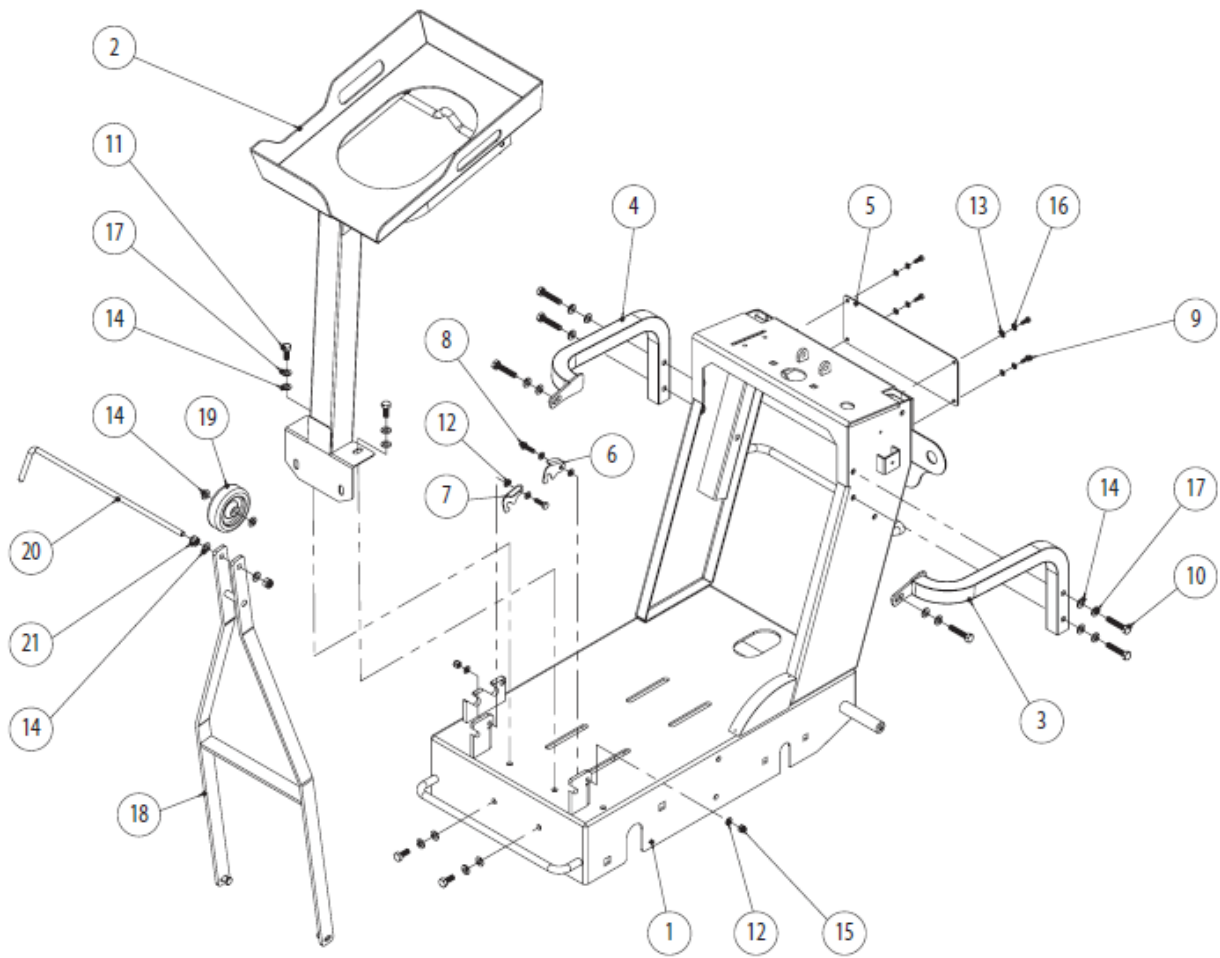
PARTS LIST

Item #	Part #	Description	Remarks
1	83SS230080	FRAME ASSEMBLY	
2	83SS230081	SHAFT GUARD	
3	83SS230082	BLADE SHAFT	
4	83SS230083	INNER FLANGE	
5	83SS230084	OUTER FLANGE WITH PIN	
6	83SS230085	18" BLADE GUARD	
7	83SS230052	FLANGE BEARING #UCFL207-20	
8	83SS230086	BEARING SPACER	
9	83SS230087	BUSHING OD16MM X ID12.7MM X 10MM	
10	68CC12-036	HHCS 5/8"-11 X 1" LG	
11	83SS230089	HHCS 5/8-11 X 1 LEFT HAND THREAD	
12	50351	WASHER, 5/8"	
13	83SS230029	8" X 2" WHEEL ID19.05MM	
14	23094	ID 3/4" COLLAR WITH SET SCREW	
15	83SS230091	SPACER OD32MM X ID19MM X 5MM	
16	13570	FLANGE BEARING #UCFL204	
17	83SS230092	BUSHING OD12MM X ID9.5MM X 10MM	
18	83SS230093	ADJUSTMENT SHAFT	
19	83SS230094	CLEVIS PIN M16 X 40MM LONG	
20	83SS42179	GREASE FITTING (1/4-28)	
21	83SS230037	BELLOW	
22	30492	HOSE CLAMP 1-3/4" X 13/16"	
23	83SS230095	BELLOW MOUNT WASHER	
24	83SS230096	BELT ADJUSTMENT BRACKET	
25	83SS230097	MOTOR TENSIONING PLATE	
26	83SS230098	DEPTH INDICATOR	
27	83SS230099	HANDLE BAR	
28	21356	HONDA GX390	
29	83SS230101	GX390 OIL HOSE ASSEMBLY	
30	83SS230102	1" BORE MICRO-V PULLEY OD65MM	
31	83SS230103	1-1/4" BORE MICRO-V PULLEY OD90MM	
32	83SS230009	MICRO-V BELT 280PJ 20 RIB	
33	83SS4260	THROTTLE CONTROL	
34	83SS230104	LEFT GUARD QUICK-RELEASE LOCK	
35	83SS42164	WASHER OD51MM X ID 23MM X 2.8MM	
37	83SS230105	GARDEN HOSE QUICK DISCONNECT FEMALE	
38	83SS230025	27MM OPEN-END WRENCH	
39	-	DIAMOND BLADE (SOLD SEPERATLY)	
40	30846	M5 WASHER	
41	14447	M6 WASHER	

42	41516	WASHER, M10	
43	11463	WASHER, 1/2"	
44	30843	LOCKNUT, M5-0.8	
45	11802	LOCKNUT, M10-1.5	
46	50622	LOCKNUT, M6-1	
47	11617	LOCKNUT, M8-1.25	
48	18167	SHSS M6-1 X 6MM	
49	18167	SHSS M6-1 X 6MM	
50	11621	LOCKWASHER M10	
51	11614	LOCKWASHER M8	
52	11910	HHCS M10-1.5 X 50MM	
53	10452	HHCS M8-1.25 X 40MM	
54	51058	HHCS M6-1 X 20MM	
55	64016	HHCS M8-1.25 X 70MM	
56	11622	NUT M10-1.5	
57	41516	WASHER, M10	
58	11667	WASHER, M8	
59	996277	CARRIAGE BOLT 3/8"-16 X 1.5"	
60	83SS4225	CARRIAGE BOLT 1/2"-13 X 1.75"	
61	10317	LOCKNUT 3/8"-16	
62	11465	LOCKNUT 1/2"-13	
63	10355	NUT 3/8"-16	
64	11621	LOCKWASHER, M10	
65	11908	KEY 8MM X 7MM X 58MM	
66	83SS4298	SQUARE KEY 6MM X 6MM X 58MM	
67	83SS230020	SQUARE KEY 5MM X 5MM X 20MM	
68	30846	WASHER, M5	
69	18552	HHCS M5-0.8 X 16MM	
70	83SS4294	WING SCREW M6-1 X 10MM	
71	83SS230113	FLIP LOCK	
72	11667	WASHER, M8	
73	83SS230114	24" HOOKED BUNGEE CORD	
74	83SS230115	ROPE	
75	10999	HHCS M8-1.25 X 20MM	
76	11667	WASHER, M8	
77	83SS230116	RIGHT GUARD QUICK RELEASE LOCK	
78	83SS230117	BELT GUARD	
79	83SS230118	FRONT AXLE WELDMENT	
80	83SS230018	4" X 2" WHEEL ID17MM	
81	83SS4243	COLLAR ID17MM WITH SET SCREW	
82	83SS230119	7" HAND WHEEL WITH HANDLE	
83	83SS230125	ESTOP BUTTON	
84	83SS230120	ADJUSTMENT SCREW	
85	31008	HHCS M10-1.5 X 20MM	
86	83SS4282	SQUARE KEY 5MM X 5MM X 25MM	

87	41516	WASHER, M10	
88	12414	COTTER PIN 0.125" X 1.5"	
89		CITY WATER CONNECTION ASSEMBLY	
94	83SS230124	WASHER OD19.8MM X ID12.4MM X 2MM	
95	83SS230126	MALE 1/4 PT X OD9.2MM BULKHEAD	
96	83SS230127	MALE 1/2" GARDEN X FEMALE 1/4" PT BALL VALVE	
97	83SS230128	30L (8GAL) WATER TANK	
98	11802	LOCKNUT, M10-1.5	

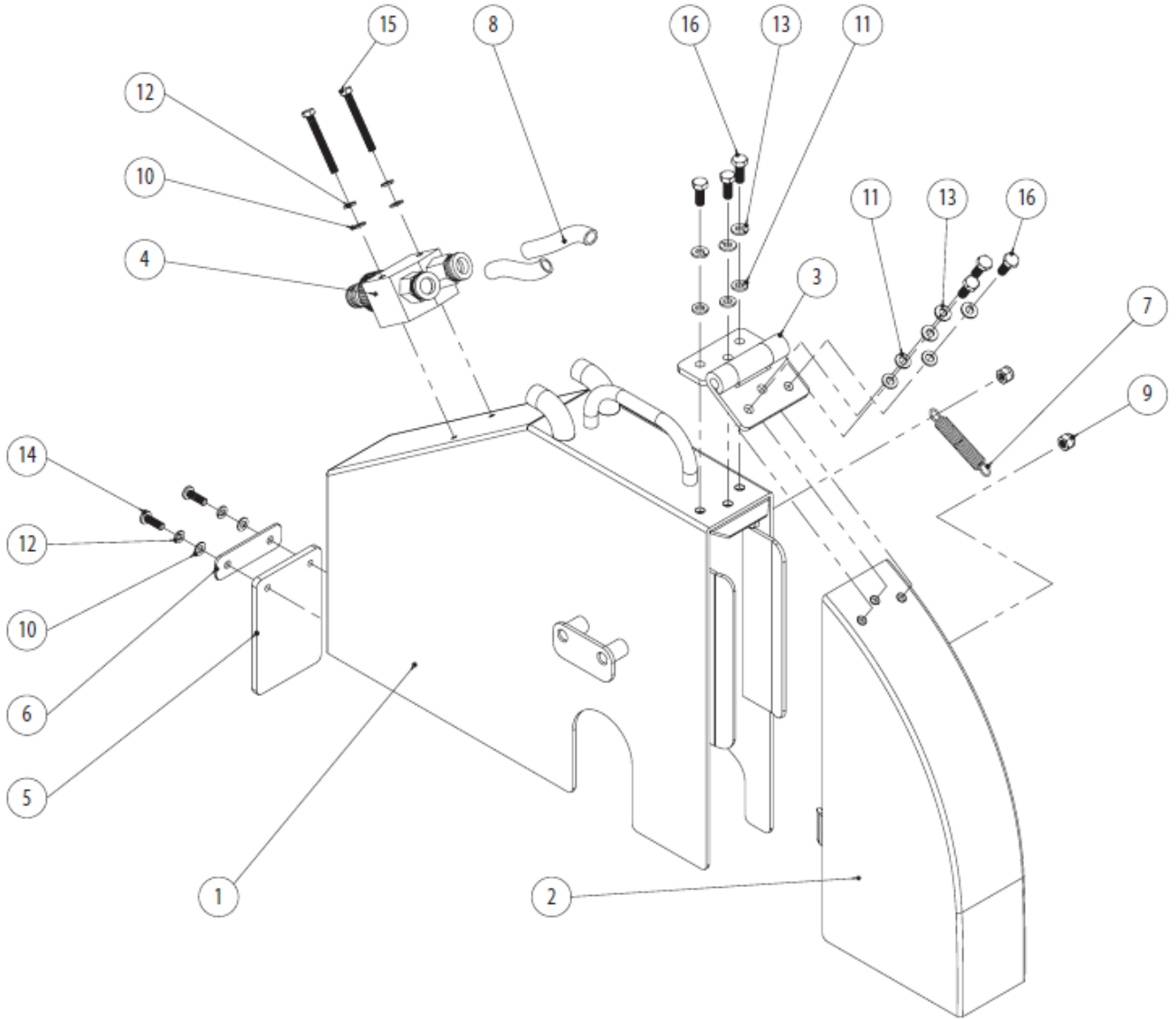
FRAME ASSEMBLY.



PARTS LIST

Item #	Part #	Description	Remarks
1	83SS230130	FRAME WELDMENT	
2	83SS230131	WATER TANK BRACKET	
3	83SS230132	BRACKET LEFT ARM SUPPORT	
4	83SS230133	BRACKET RIGHT ARM SUPPORT	
5	83SS230134	ACCESS PANEL	
6	83SS230135	LEFT POINTER QUICK RELEASE	
7	83SS230136	RIGHT POINTER QUICK RELEASE	
8	51058	HHCS M6-1 X 20MM	
9	18552	HHCS M5-0.8 X 16MM	
10	10452	HHCS M8-1.25 X 40MM	
11	10999	HHCS M8-1.25 X 20MM	
12	14447	WASHER, M6	
13	30846	WASHER, M5	
14	11667	WASHER, M8	
15	50622	LOCKNUT M6-1	
16	11844	LOCKWASHER, M5	
17	11614	LOCKWASHER, M8	
18	83SS230137	POINTER WELDMENT	
19	83SS230061	WHEEL OD75MM	
20	83SS230138	POINTER	
21	11617	LOCKNUT M8-1.25	

BLADE GUARD ASSEMBLY



PARTS LIST

Item #	Part #	Description	Remarks
1	83SS230139	18IN PRIMARY BLADE GUARD BODY	
2	83SS230140	18IN FORWARDED BLADE GUARD COVER	
3	83SS230141	HINGE	
4	83SS230142	WATER HOSE MANIFOLD	
5	83SS230049	SPLASH FLAP	
6	83SS230143	SPLASH FLAP PLATE	
7	83SS230144	SPRING	
8	83SS230145	TUBE OD12MM ID8MM	CUT TO LENGTH AS NEEDED
9	50622	LOCKNUT M6-1	
10	30846	WASHER, M5	
11	14447	WASHER, M6	
12	11844	LOCKWASHER, M5	
13	14448	LOCKWASHER, M6	
14	83SS25058	MACHINE SCREW M8-0.8 X 15MM	
15	83SS5703	HHCS M5-0.8 X 45MM	
16	11746	HHCS M6-1 X 15MM	

BARTELL

BARTELL GLOBAL



Bartell Morrison Inc.
170 Traders Blvd E
Mississauga, Ontario, Canada
L4Z 1W7
Tel: 1-647-953-4100
Fax: 1-647-953-4101



Bartell Morrison (USA) LLC
200 Commerce Drive, Unit A
Freehold, New Jersey, USA
07728
Tel: 1-848-225-8100
Fax: 1-848-225-8101



Innovatech
4701 Allmond Ave
Louisville, Kentucky, USA
40209
Tel: (425) 405-9100
Fax: (425) 405-9101



SPE International
Honeyholes Lane
Dunholme, Lincoln, UK
LN2 3SU
Tel: +44 (0)1673 860709
Fax: +44 (0)1673 861119



**BARTELL
GLOBAL**

**5 BRANDS - 1 SOURCE FOR
GREAT EQUIPMENT**

BARTELL morrison   

BARTELLGLOBAL.COM