

# FLOOR PLANER/SCARIFIER

CT320



[www.BartellGlobal.com](http://www.BartellGlobal.com)

**CANADA**

170 Traders Blvd E  
Mississauga, Ontario L4Z 1W7  
TEL (647) 953-4100 FAX (647) 953-4101

**KENTUCKY**

4701 Allmond Ave  
Louisville, Kentucky 40209  
TEL (425) 405-9100 FAX (425) 405-9101

**UK**

Honeyholes Lane  
Dunholme, Lincoln, UK LN2 3SU  
TEL 01673 860709 FAX 01673 861119

**NEW JERSEY**

200 Commerce Drive, Unit A  
Freehold, New Jersey 07728  
TEL (848) 225-8100 FAX (848) 225-8101

**ORIGINAL LANGUAGE OPERATING MANUAL FOR  
BARTELL RIDE-ON TROWELS**






© 2022 Bartell Global Inc.

No part of this work may be reproduced or transmitted in any form or by any means, electronic or mechanical, including photocopying and recording, or by any information storage or retrieval system without the prior written permission of Bartell Morrison Inc. unless such copying is permitted by federal copyright laws.

**ADDRESS INQUIRIES OR REFERENCE PERMISSIONS CARE OF:**

Bartell Global, 170 Traders Blvd E., Mississauga, Ontario, Canada, L4Z 1W7

<b>REV.</b>	<b>DATE</b>	<b>DESCRIPTION</b>	<b>APPROVED BY:</b>
00	05/2020	Initial Release	AN
01	11/2023	Parts Breakdowns updated	AN

<b>SAFETY PRECAUTIONS</b>	
	<p><b>DANGER</b> <b>EXPLOSION HAZARD</b></p> <p>Never operate the machine in an explosive atmosphere, near combustible materials, or where ventilation does not clear exhaust fumes.</p>
	<p><b>WARNING</b> <b>BURN HAZARD</b></p> <p>Never come into contact with the engine or muffler when engine is operating or shortly after it is turned off. Serious burns may occur.</p>
	<p><b>CAUTION</b> <b>ROTATING HAZARD</b></p> <p>Never place hands or feet inside safety guard rings. Serious injury will result from contact with rotating blades.</p>
	<p><b>CAUTION</b> <b>MOVING PARTS</b></p> <p>Before starting the machine, ensure that all guards and safety devices are in place and functioning properly.</p>
	<p><b>ATTENTION</b> <b>READ OWNER'S MANUAL</b></p> <p>Read and understand owner's manual before using this machine. Failure to follow operating instructions could result in serious injury or death.</p>

## TABLE OF CONTENTS

<b><u>QUALITY ASSURANCE/ MACHINE BREAK IN</u></b>	<b>5</b>
<b><u>WARRANTY INFORMATION</u></b>	<b>5</b>
<b><u>SPECIFICATIONS</u></b>	<b>6</b>
<b><u>PREVENTATIVE MAINTENANCE AND ROUTINE SERVICE PLAN</u></b>	<b>7</b>
○ ROUTINE SERVICE SCHEDULE	8
○ ROUTINE SERVICE INTERVALS	8
<b><u>OPERATING SAFETY PRECAUTIONS</u></b>	<b>9</b>
<b><u>OPERATION INSTRUCTIONS</u></b>	<b>10</b>
○ SETTING UP YOUR CT320 PLANER	10
○ PRIOR TO OPERATION	10
○ CHANGING OR INSTALLING TOOLING	10
○ ADJUSTING THE DRUM ALIGNMENT	10
○ OPERATION	11
<b><u>PARTS BREAKDOWN</u></b>	<b>12</b>
<b><u>PARTS LIST 1 - CT320 MILLING HOUSING</u></b>	<b>13</b>
○ CT320 MILLING HOUSING - PARTS LIST 1	14
<b><u>PARTS LIST 2 - CT320 HANDLE</u></b>	<b>15</b>
○ CT320 HANDLE - PARTS LIST 2	16
<b><u>PARTS LIST 3 - CT320 MOTOR, WHEEL, BELT</u></b>	<b>17</b>
○ CT320 MOTOR, WHEEL, BELT - PARTS LIST 3	18
<b><u>PARTS LIST 4 - CT320 REAR WHEELS</u></b>	<b>19</b>
○ CT320 REAR WHEELS - PARTS LIST 4	20
<b><u>PARTS LIST 5 - CT320 DRIVE</u></b>	<b>21</b>
○ CT320 DRIVE - PARTS LIST 5	22
<b><u>PARTS LIST 6 - CT320 ADJUSTABLE FRONT WHEEL</u></b>	<b>23</b>
○ CT320 ADJUSTABLE FRONT WHEEL - PARTS LIST 6	24
<b><u>PARTS LIST 7 - CT320 LINE UP DEVICE</u></b>	<b>25</b>
○ CT320 LINE UP DEVICE - PARTS LIST 7	26
<b><u>PARTS LIST 8 - CT320 LONGNOSE</u></b>	<b>27</b>

○ CT320 LONGNOSE – PARTS LIST 8	28
<b><u>PARTS LIST 9 – CT320 LASER LINE UP</u></b>	<b>29</b>
○ CT320 LASER LINE UP – PARTS LIST 9	30
<b><u>PARTS LIST 10 – CT320 CONTROL PANEL</u></b>	<b>31</b>
○ CT320 CONTROL PANEL – PARTS LIST 10	32
<b><u>PARTS LIST 11 – CT320 DRUM</u></b>	<b>33</b>
○ CT320 DRUM – PARTS LIST 11	33
<b><u>PARTS LIST 12 – CT320 DRUM WITH TOOLS</u></b>	<b>34</b>
○ CT320 DRUM WITH TOOLS – PARTS LIST 12	34
<b><u>PARTS LIST 13 – CT320 DRUM WITH BLADES</u></b>	<b>35</b>
○ CT320 DRUM WITH BLADES – PARTS LIST 13	36
<b><u>ELECTRICAL SCHEMATIC 1 – MAIN MOTOR</u></b>	<b>37</b>
<b><u>ELECTRICAL SCHEMATIC 2 – DRIVE MOTOR</u></b>	<b>38</b>

## **QUALITY ASSURANCE/ MACHINE BREAK IN**

The Contec Floor Planer is the product of extensive engineering development designed to give long life and unmatched performance. The Floor Planer are shipped completely assembled.

You can help ensure that your Floor Planer will perform at top levels by observing a simple routine on first use. Consider that your new Planer is like a new car. Just as you would break in a new car to the road or any new machine to the job, you should start gradually and build up to full use. Learn what your machine can do and how it will respond. Full throttle and control may be used after this time period, as allowed by material. This will serve to further break in the machine on your specific application, as well as provide you with additional practice using the machine.

We thank you for the confidence you have placed in us by purchasing a Contec Floor Planer and wish you many years of satisfied use.

## **WARRANTY INFORMATION**

Bartell agrees to furnish without charge, F.O.B. our plant, a replacement for any part or portion thereof, comprising the main unit of the Contec Floor Planer, consisting of the handle, housing assembly, save and except tooling, and power units, prove upon our examination, to be defective in either material or workmanship within a period of twelve (12) months from date of purchase, provided that notice of such defective part or portion thereof is given to Bartell Ltd. within the twelve month warranty period. No further or other guarantee or warranty expressed or implied in connection with the sale of the Planer is given and our sole liability consists in replacing defective parts or portions thereof. We shall not be responsible for any special, indirect or consequential damages arising in any manner whatsoever.

This guarantee is for the sole benefit of the original purchaser as end user. Our responsibility under this guarantee ends in the case the original purchaser transfers ownership of the Floor Planer, makes any changes or adds any parts or devices not of our manufacture to the Floor Planer machine.

## **SPECIFICATIONS**

<b>CT320</b>	
<b>Dimensions</b>	
Width of Cut, mm (in)	320 (12.5)
Overall Width, mm (in)	610 (24)
Overall Length, mm (in)	1100 (43)
Overall Height, mm (in)	1100 (43)
<b>Weight</b>	
Weight with Drum, kg (lb)	230 (507)
<b>Power Source</b>	
Power kw (HP)	17.3 (23.5)
Volts (V)	460
Frequency (Hz)	60
Amperage (A)	30



## ROUTINE SERVICE SCHEDULE

Routine Service Intervals		Each Use	After 1.5 months or 50 hrs	Each 3 months or 100 hrs	Each 6 months or 200 hrs	Each 9 months or 300 hrs	Each 12 months or 400 hrs
<b>General Inspection</b>							
Guards	Check		○	○	○	○	○
Warning Stickers	Check		○	○	○	○	○
Test Run	Check Operation		○	○	○	○	○
Fasteners	Check Tightness	○					
<b>Electrical</b>							
Cord	Check for Damage	○					
Plug	Check for Damage	○					
Switches/Buttons	Check	○					
<b>Planer Components</b>							
Tooling	Check Life	○					
Tooling Drum	Check			○	○	○	○
Joints	Grease				○		○
Belt Drive	Check Tension		○	○	○	○	○
<b>Motor</b>							
Fan	Check - Clean		○	○	○	○	○

## ROUTINE SERVICE INTERVALS

Due to the nature and environment of use, Floor Planers could be exposed to severe operating conditions. Some general maintenance guidelines will extend the useful life of your machine.

- The initial service for your Planer should be performed after 25 hours of use, at which time your mechanic (or authorized repair shop) should complete all the recommended checks in the schedule above. The maintenance log is handy for keeping a record of the maintenance performed and the parts used for servicing your Planer.
- Regular service according to the schedule above will prolong the life of the floor Planer and prevent expensive repairs.
- Keeping your floor Planer clean and free from debris is the single most important regular maintenance operation, over and above the checks in the service schedule above, that can be performed. After each use your Planer should be cleaned to remove any dust and debris from the undercarriage and surrounding components.
- In the Service Schedule above, items that should be checked, replaced or adjusted are indicated by “o” in the appropriate column. For ease of recording place, a checkmark through the “o” when the item is complete. If an item is not required or not completed place an “x” through the “o” in the box.
- Failure to have your Floor Planer regularly serviced and properly maintained in accordance with the manufacturer’s instructions will lead to premature failure and void the warranty.

## **OPERATING SAFETY PRECAUTIONS**

The CT320 Floor Planers are constructed according to existing safety rules and regulations. These technical precautions should not be removed or changed under any circumstances. While operating the machines the following points should also be kept in mind:

**IMPORTANT:** NEVER attempt to disable or circumvent these safety devices. They are present for the operator's protection and any tampering will result in substantial risk to the operator and all present at the job site. If your planer's safety devices have been tampered with, do not use the equipment. Immediately contact your sales representative to obtain replacement parts or return the planer to your dealer for repairs.

The instructions provided in this manual are done so to ensure the operator's safety as well as that of others, the equipment, and the job site. Failure to follow these guidelines can lead to serious personal injury and even death. The operator and any service personnel should read and understand the entire manual before working with or servicing any Contec Floor Planer.

- The Planers should always be operated with all safety covers and technical precautions.
- During transport, cleaning, repair or maintenance the Planer must be disconnected from the power supply. That also applies to the changing of tools.
- The operator should never leave the machine unattended during operation.
- Before leaving the machine, all rotary parts should be brought to a standstill. Electric models must be disconnected from the power supply. Make sure that the machine cannot roll or move by itself.
- After any maintenance and adjustment all safety covers must be reattached.
- Ear protectors must be worn.
- Eye protectors must be worn.
- Safety shoes with steel caps must be worn.
- In the event of a large amount of dust during operation, connect a dust collector to the Planer.
- Depending on the floor (floor coating) planeing can produce gases. The operator must be held responsible if these generated gases are dangerous and if protection is necessary. planeing floors containing asbestos is especially dangerous and can cause health problems. Special masks must be worn which keep the breathing air clean. A dust collector must be used and should be equipped with filters suitable for asbestos dust.
- The floor must be brushed before grinding because loose material could get into the tools and fly away. Anchor screws and bolts coming out of the floor can also be seen better if the floor is clean. If the grinding head hits an anchor screw or bolt, then serious damage can be caused to the machine or planeing drum.

## **OPERATION INSTRUCTIONS**

### **SETTING UP YOUR CT320 PLANER**

Your CT320 Floor Planer comes fully assembled with handle and motor fully installed. The tooling drum may also be installed from factory, if drum is not installed please see the installation instructions below.

### **PRIOR TO OPERATION**

- Make sure that all dust, debris etc., are thoroughly removed from the unit prior to operation. Special effort should be given to the bottom of the machine where the tooling drum is located.
- Check all bolts and screws for tightness and make sure all bolts and screws are securely tightened. Loose bolts and screws may cause damage to the unit. Make sure tooling is properly installed.
- The height adjustment lever must be in the upper position before machine can be switched on
- Before switching the machine on turn the height adjustment hand wheel counter-clockwise as far as possible

### **CHANGING OR INSTALLING TOOLING**

- Lift the machine with the lever so that the tools are well clear of the floor.
- Remove the M10 screws on the right side of the plate. Carefully remove the side plate
- Take out the drum. Remove worn out tools. Check the drum for wear and tear. If necessary, replace new tools on the drum.
- Before reinstalling drum, grease the shaft, then reinstall drum.
- Put the side plate back on and use the screws to mount it.

**ATTENTION:** Before working on the Planer bring the motor to a total stand still and disconnect from the power supply.

**CAUTION:** Tools can be hot after use.

### **ADJUSTING THE DRUM ALIGNMENT**

During operation the drum shaft and rear wheel axis may fall out of alignment. This results in an uneven track on the floor. One side touches the floor before the other side and therefore resulting in an uneven surface. Follow instructions below to align the drum

- Place the planer on an even floor. Lift the tools off the floor using the hand wheel.
- Loosen the clamping screw of the eccentric shaft of the rear wheels.
- On the other side of the rear wheel is a screw which keeps the wheel on the shaft. Turning the screw will also turn the eccentric shaft. The floor planer moves up and down on one side.
- Keep turning the screw, clockwise, until all the tools on the drum are an equal distance from the floor. **Caution:** Turning the screw counter-clockwise will loosen the screw.

## **OPERATION**

### ***Operating***

After mounting the appropriate tools, the operation of the Planer can begin.

Switch the motor on and lower the planar with the lever to the operating position. Turn the hand wheel height adjustment until the tools are lowered to the floor. Keep turning the handwheel until you reach your desired finish

Dust emission should be prevented by connecting a dust collector.

**ATTENTION:** Lowering the tools too much decreases the performance of the machine. You will destroy the shafts in the drum and the bearings of the machine.

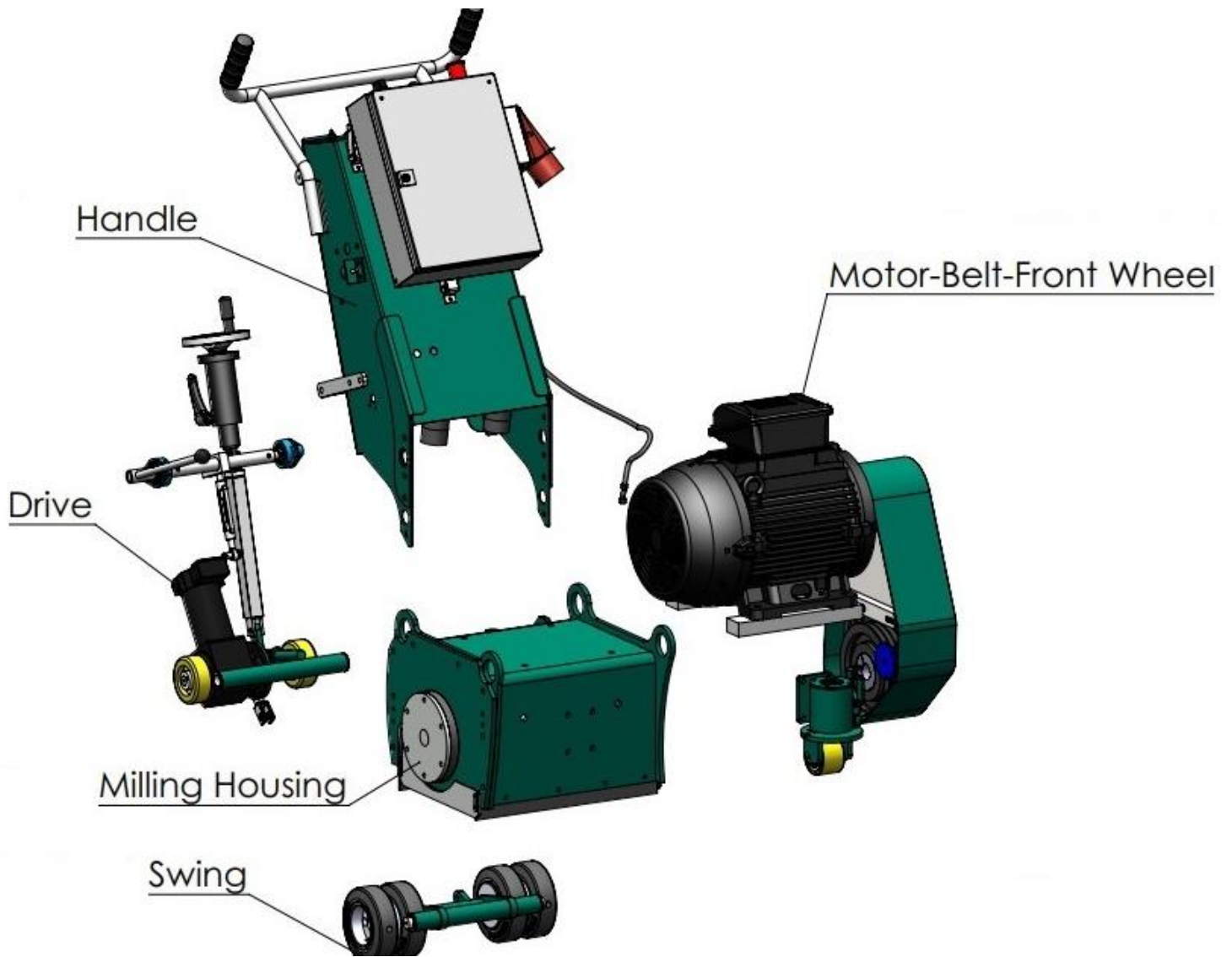
**ATTENTION:** Never switch on machine while the grinding head is on the floor.

**ATTENTION:** Lowering cutter adjuster too far will cause cage shafts to pinch cutters between the shaft and the surface. This will cause cutters shafts and cage to break. The cutters should always be able to move freely.

### ***Stopping Procedure***

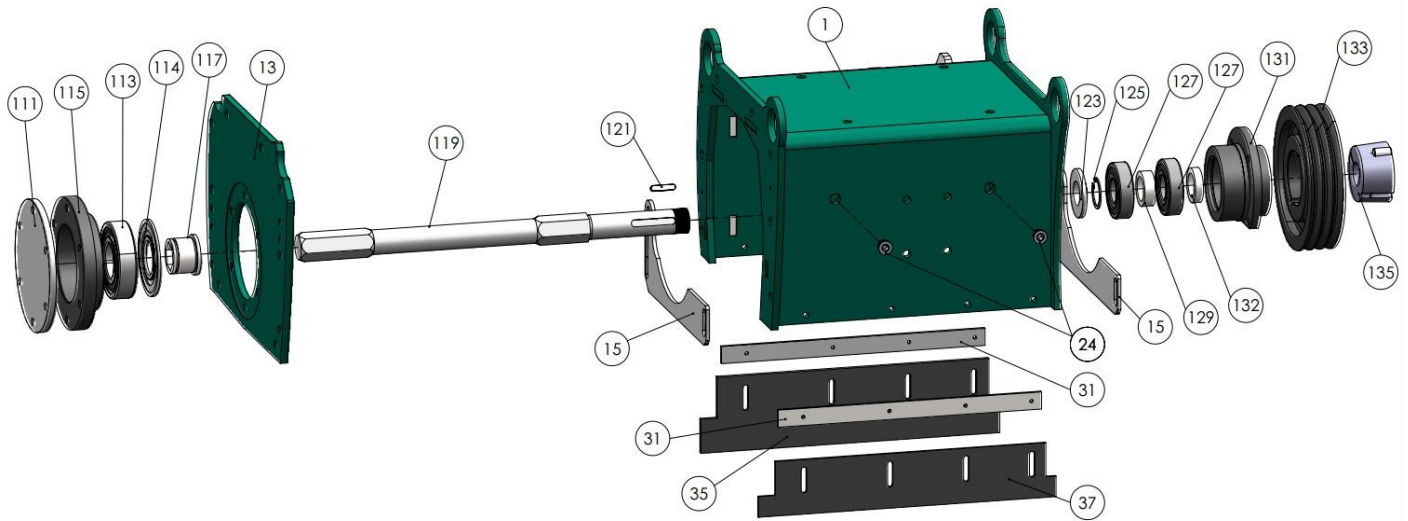
Turn the machine off and raise the cutters off the floor using the lever and/or hand wheel. Disconnect the cord if you are done with the machine.

## PARTS BREAKDOWN



**This Page Left Intentionally Blank**

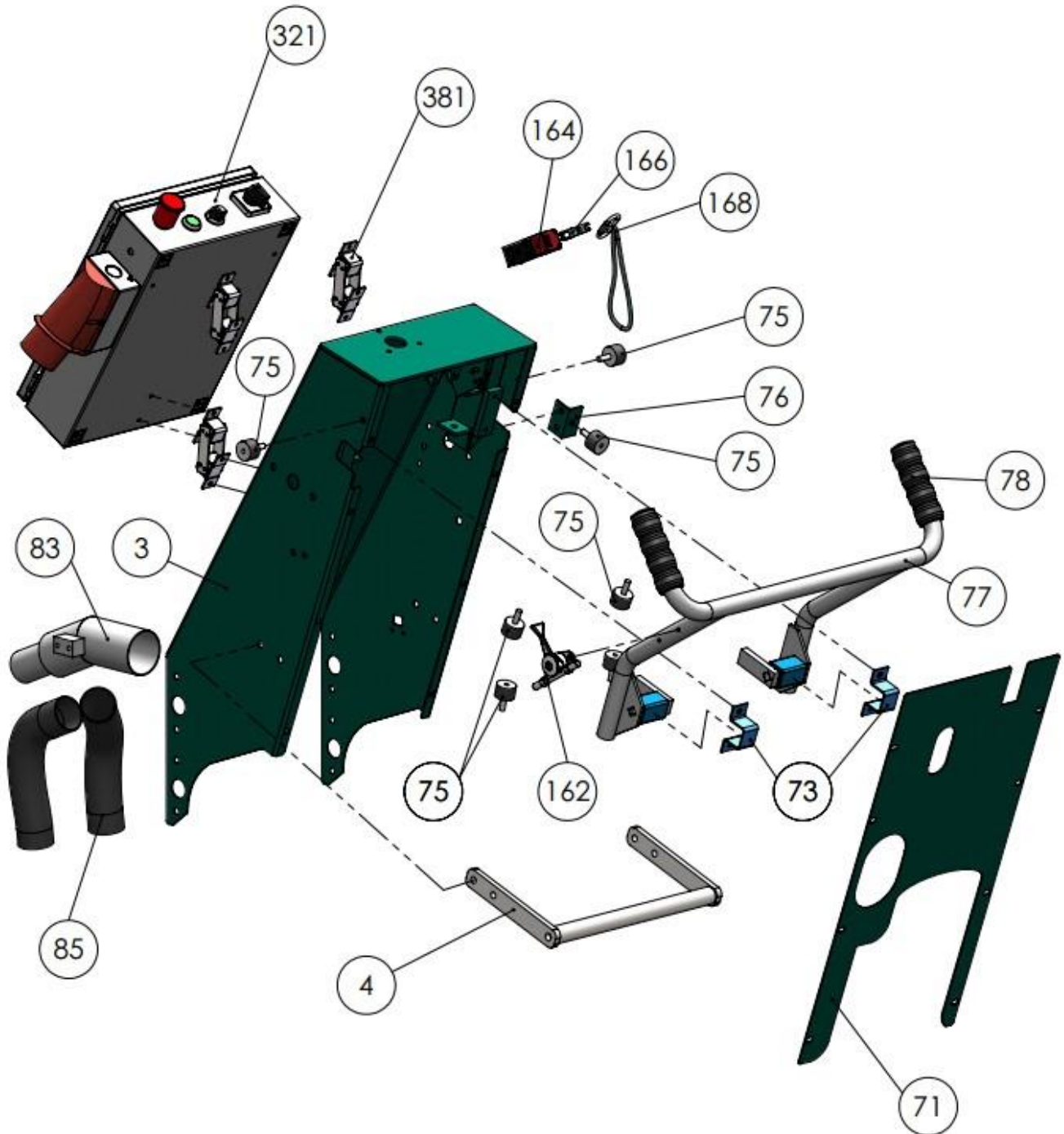
## PARTS LIST 1 – CT320 MILLING HOUSING



### CT320 MILLING HOUSING – PARTS LIST 1

Item #	Part #	Description	QTY	Remarks
1	8719104000	Drum Housing complete	1	
13	8719104100	Side Plate right	1	
15	8719104600	Sealing Slide	2	
24	8791200001	Plug Brass	2	
31	8719104701	Bracket Rubber Sealing front/back	2	
35	8770104701	Rubber Sealing rear	1	
37	8770104701	Rubber Sealing front	1	
111	8719105002	Bearing Housing Lid	1	
113	876163102RS	Bearing	1	
114	87612050110	Sealing	1	
115	8719105001	Bearing Housing	1	
117	8719211707	Hexagon Ring	1	
119	8719211706	Drum Shaft	1	
121	87688550108	Key	1	
123	8719100701	Spacer	1	
125	8761300180	Circlip	1	
127	87612063072	Bearing	2	
131	8719101701	Bearing Housing	1	
133	8790242003TB	Drum Pulley	1	
135	879024251735	Taper Lock Bushing	1	

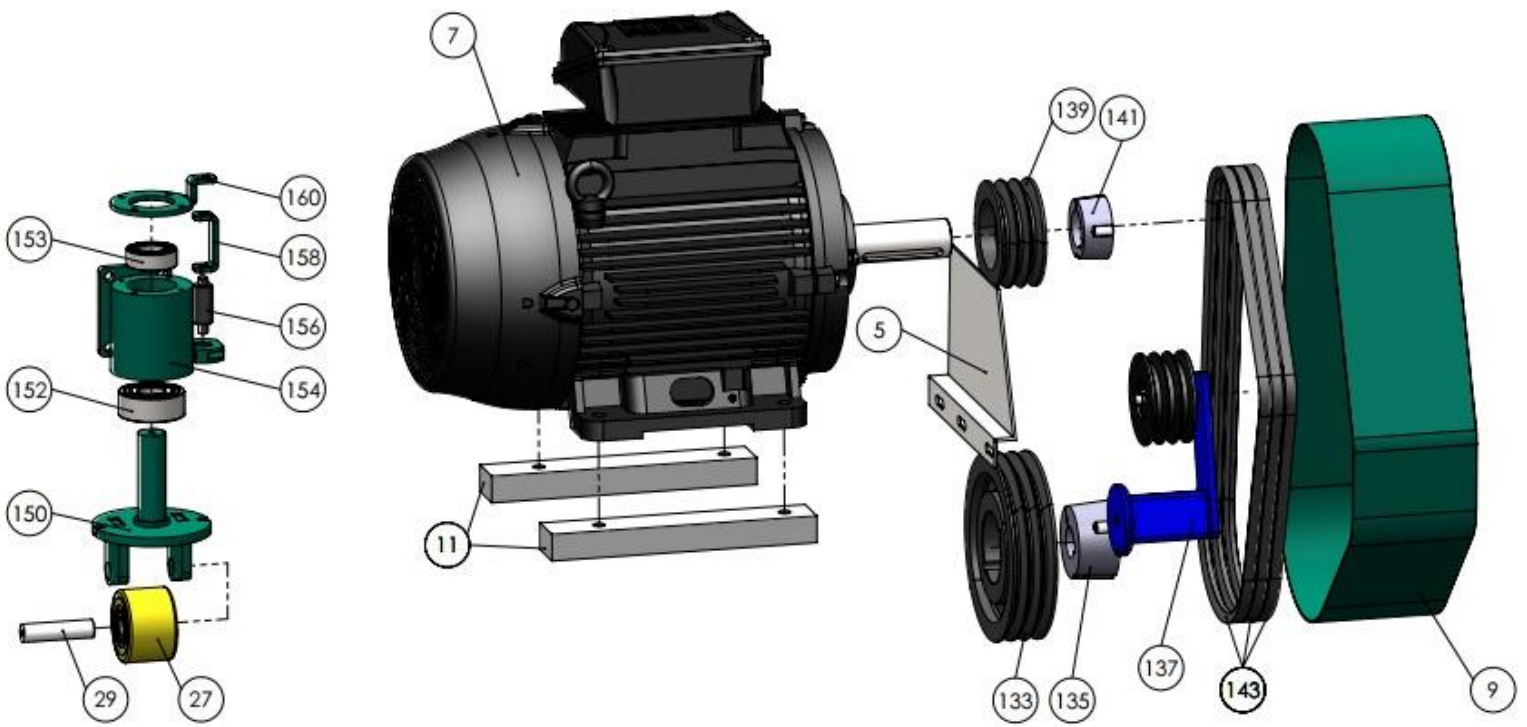
## PARTS LIST 2 – CT320 Handle



**CT320 HANDLE – PARTS LIST 2**

Item #	Part #	Description	QTY	Remarks
3	8719104300	Handle Frame	1	
4	8719104503	Step Bar	1	
73	8770261800	Bracket for Rubber Block	2	
75	8770263000	Rubber Block	5	
76	8719105422	Lever Catch	1	
77	8719104502	Handle with flexible Rubber Block	1	
78	8770212610	Rubber Grip	2	
83	8719104501	Hose Connector	1	
85	8770250250	Dust Hose	2	
162	87MS005313	Bowden Cable	1	
164	87XCSP-A591	Safety Switch	1	
166	87XCSZ11	Pin Safety Switch	1	
168	8770212410	Safety Strip	1	
321	8750201556	Control Panel	1	
381	8770261820	Rubber bracket	3	

## PARTS LIST 3 – CT320 Motor, Wheel, Belt

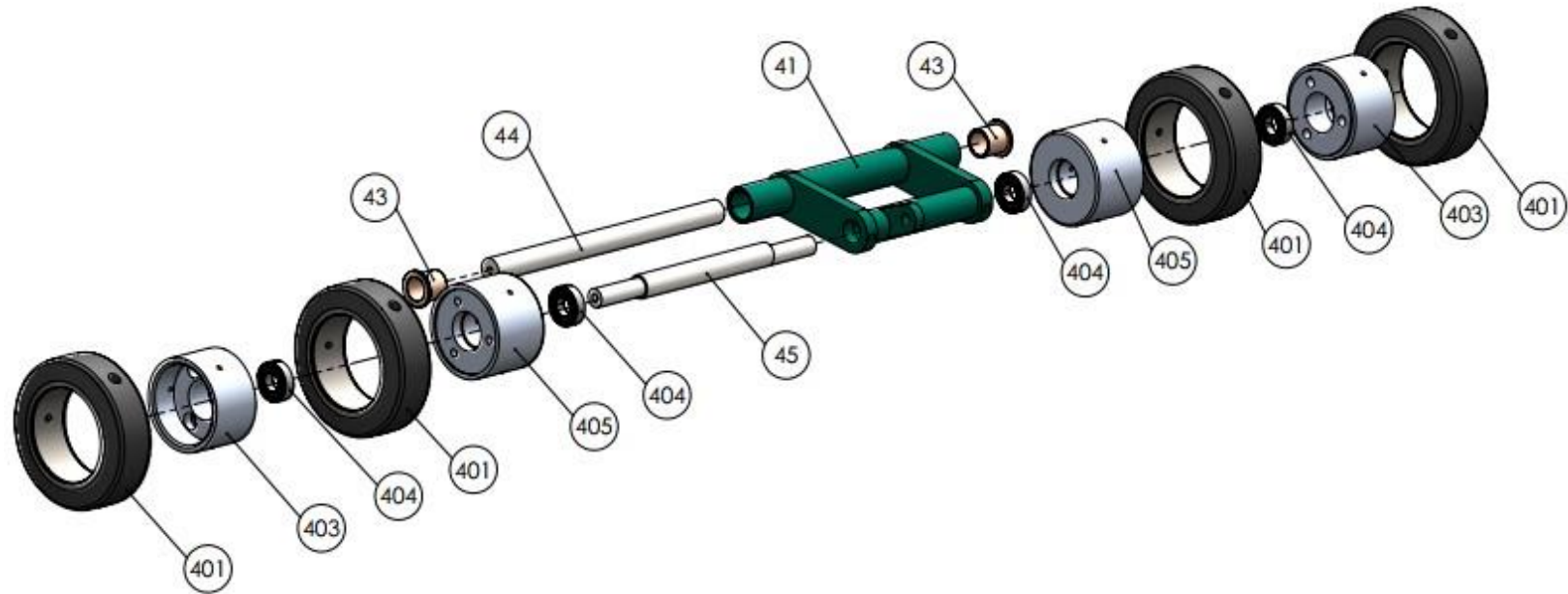


**CT320 MOTOR, WHEEL, BELT – PARTS LIST 3**

Item #	Part #	Description	QTY	Remarks
5	8719104901	Belt Cover rear Plate	1	
7	8755044675	Motor	1	
9	8719104801	Belt Cover	1	
11	8719104202	Motor Bracket	2	
27	8780208060	Front Wheel	1	
29	8719100107	Front Wheel Axis	1	
133	8790242003TB	Drum Pulley	1	
135	879024251735	Taper Lock Bushing	1	
137	8770262790	Belt Tensioner	1	
139	8790241123TB	Pulley	1	
141	879024201242	Taper Lock Bushing	1	
143	8770241207RP	Belt	3	
150	8719106410	Shaft Front Wheel	1	
152	87612062062	Bearing	1	
153	87612063062	Bearing	1	
154	8719106400	Bearing House	1	
156	87GN61310GK	Locking Pin	1	
158	8719106406	Clamping Yoke	1	
160	8719106405	Lid	1	

**This Page Left Intentionally Blank**

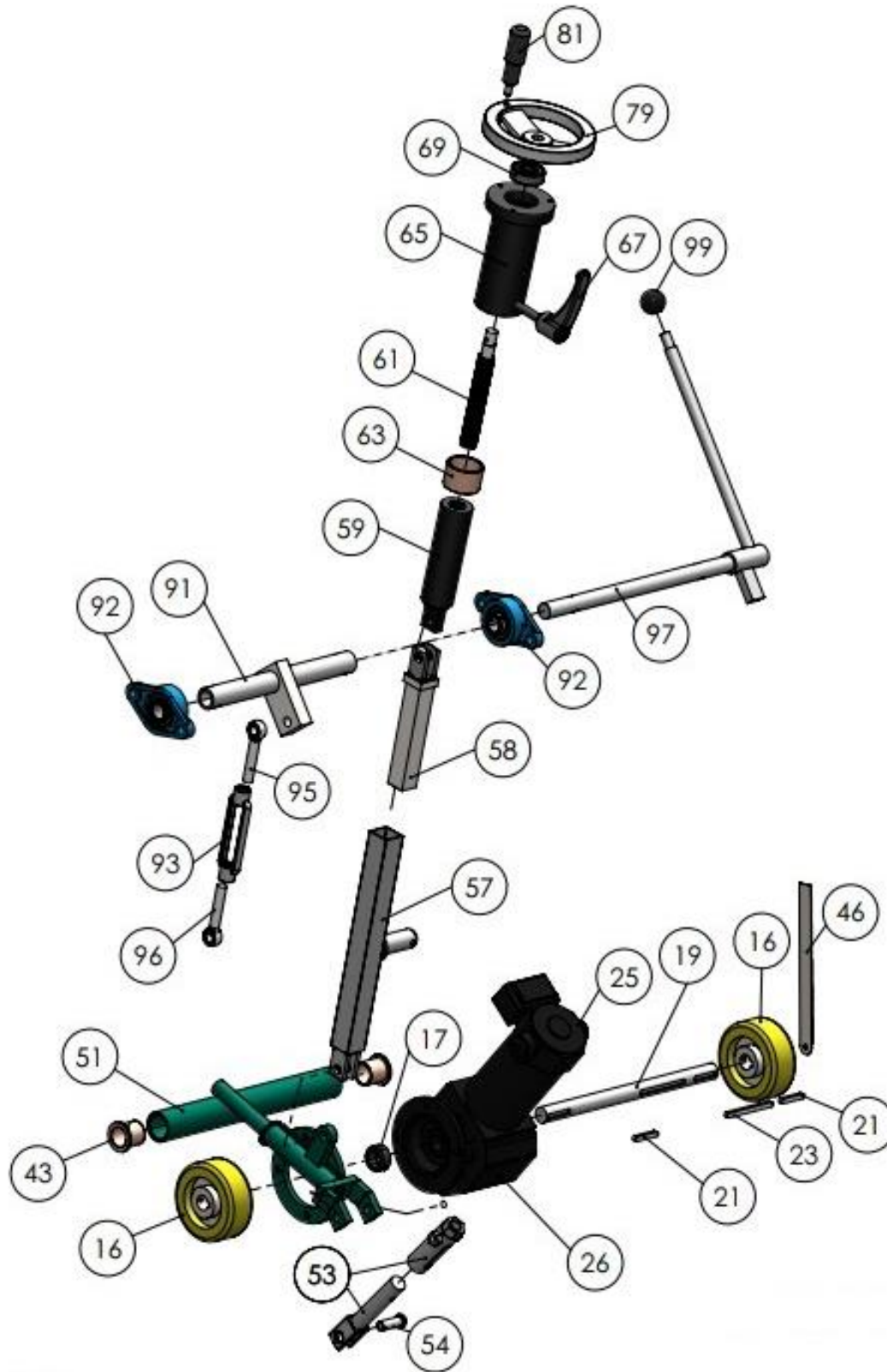
## PARTS LIST 4 – CT320 REAR WHEELS



### CT320 REAR WHEELS – PARTS LIST 4

Item #	Part #	Description	QTY	Remarks
41	8719100409	Rear Wheel Swing	1	
43	8761245030	Bronze Bearing	4	
44	8719100405	Axis	2	
45	8719100406	Rear Wheel Axis	1	
401	8780202052	Binding Wheel	4	
403	8719111102	Wheel Hub Outside	2	
404	8761206004	Bearing	4	
405	8719111101	Wheel Hub Inside	2	

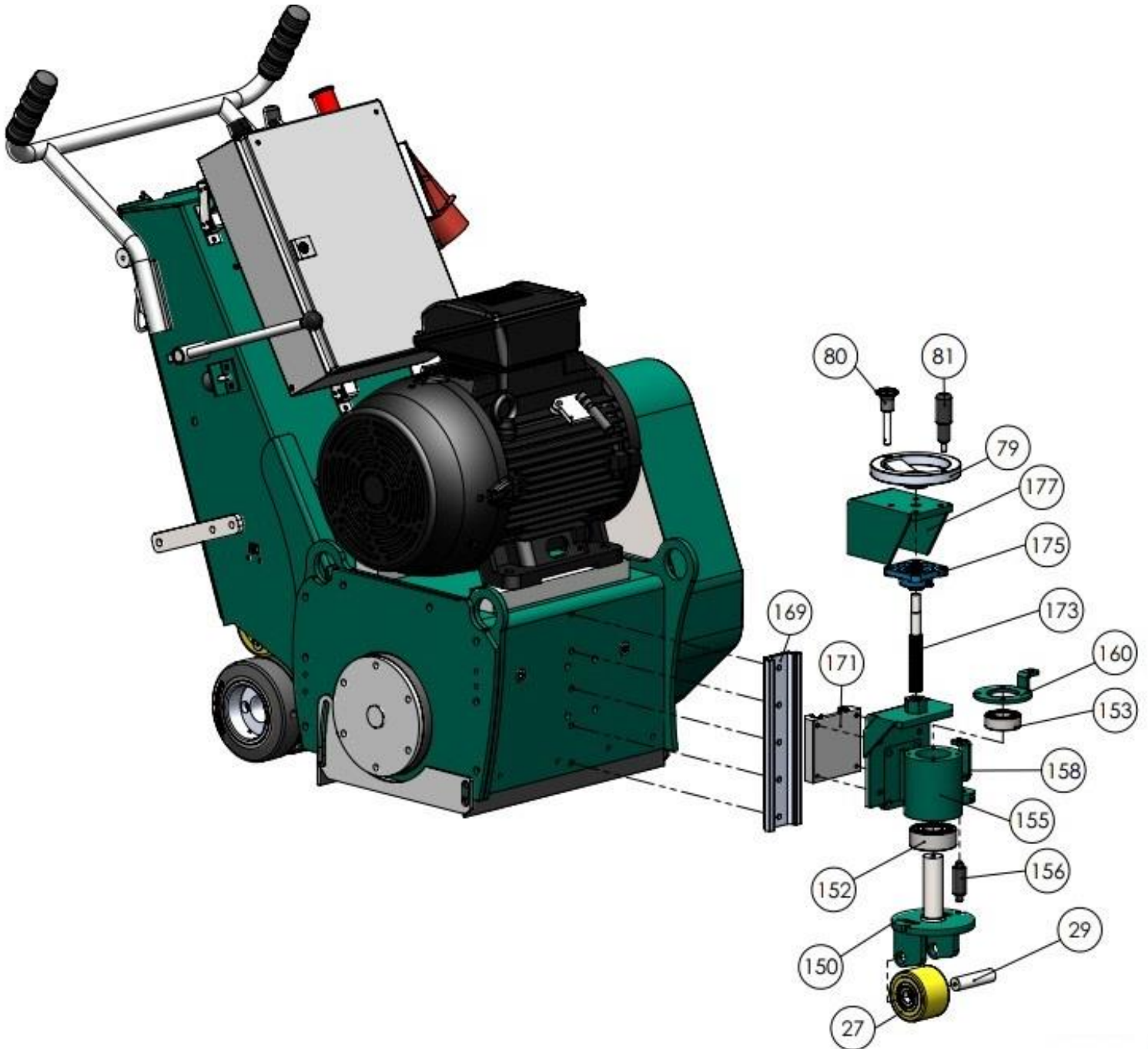
## PARTS LIST 5 – CT320 DRIVE



**CT320 DRIVE – PARTS LIST 5**

Item #	Part #	Description	QTY	Remarks
16	8780203100	Drive Wheel	2	
17	8790219552	Clamping Ring Drive Shaft	1	
19	8719102001	Drive Shaft	1	
21	8768854067	40x6x6 mm DIN 6885 Key	2	
23	8768858067	Key	1	
25	8750202019	Drive Unit Motor	1	
26	8750202020	Gearbox	1	
43	8761245030	Bronze Bearing	4	
46	8790200053	Ruler	1	
51	8719100802	Motor Mounting	1	
53	8719105410	Level Adjustment	1	
54	8760331225	Pin for lifting Rod	2	
57	8719105420	Lifting Rod lower Part	1	
58	8719100506	Lifting Rod upper Part	1	
59	8719100503	Height Control Piston	1	
61	8719100502	Spindle	1	
63	8761244046	Bronze Bearing	1	
65	8719100501	Housing Height Adjustment	1	
67	87GN6049510	Clamp Lever	1	
69	8761206302	Bearing	1	
79	8790219550	Level Adjustment Wheel	1	
81	8790219551	Knob for Handwheel	1	
91	8719105433	Pipe Lifting Lever	1	
92	87612063063	Flange Bearing	2	
93	8719100507	Turnbuckle	1	
95	8761501251	Eye Screw	1	
96	8761501260L	Eye Screw Left Thread	1	
97	8719105430NN	Lever Height Adjustment	1	
99	8790214512	Ball Head	1	

## PARTS LIST 6 – CT320 ADJUSTABLE FRONT WHEEL

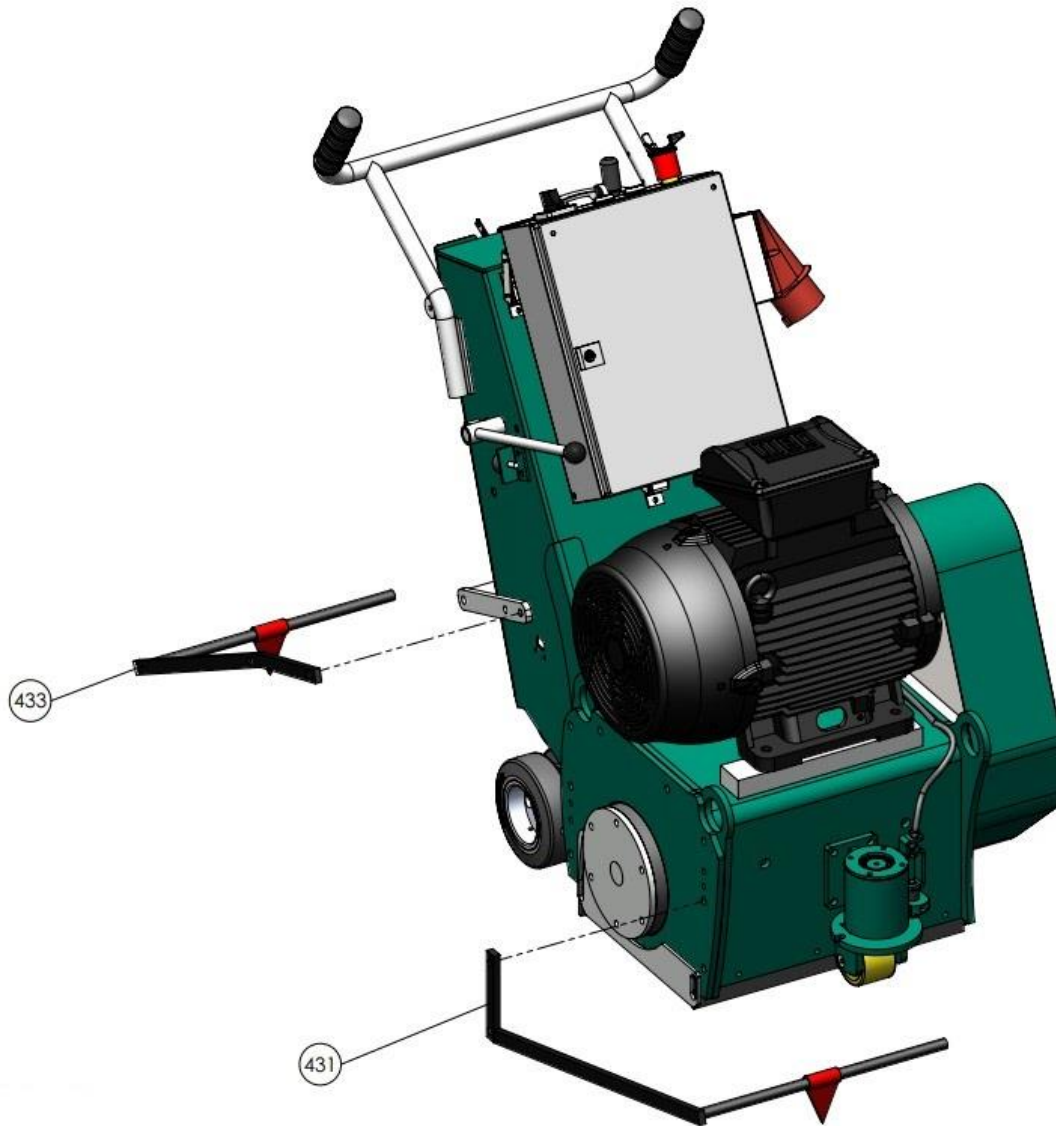


**CT320 ADJUSTABLE FRONT WHEEL – PARTS LIST 6**

Item #	Part #	Description	QTY	Remarks
27	8780208060	Front Wheel	1	
29	8719100107	Front Wheel Axis	1	
79	8790219550	Level Adjustment Wheel	1	
80	8790250001	Drive Pin	1	
81	8790219551	Knob for Handwheel	1	
150	8719106410	Shaft Front Wheel	1	
152	87612062062	Bearing	1	
153	87612063062	Bearing	1	
155	8719106420	Bearing Housing Front Wheel LC	1	
156	87GN61310GK	Locking Pin	1	
158	8719106406	Clamping Yoke	1	
160	8719106405	Lid	1	
169	8719206414	Linear Rail	1	
171	8719206415	Linear Wagon	1	
173	8719206411	Handwheel Shaft LC	1	
175	8719206416	Bearing	1	
177	8719206413	Bracket	1	

**This Page Left Intentionally Blank**

**PARTS LIST 7 – CT320 LINE UP DEVICE**

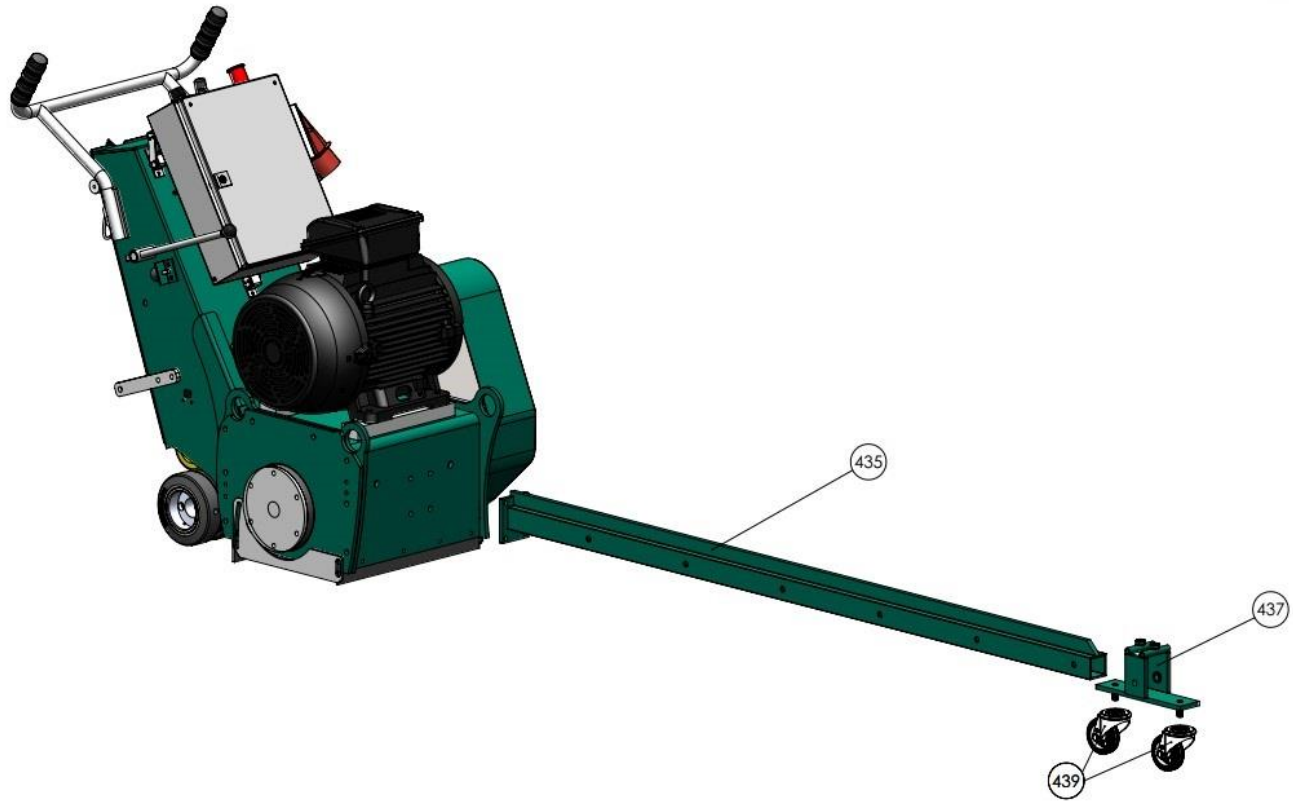


**CT320 LINE UP DEVICE – PARTS LIST 7**

Item #	Part #	Description	QTY	Remarks
431	8719106601	LINE UP MECHANISM FRONT	1	
433	8719106603	LINE UP MECHANISM BACK	1	

**This Page Left Intentionally Blank**

**PARTS LIST 8 – CT320 LONGNOSE**

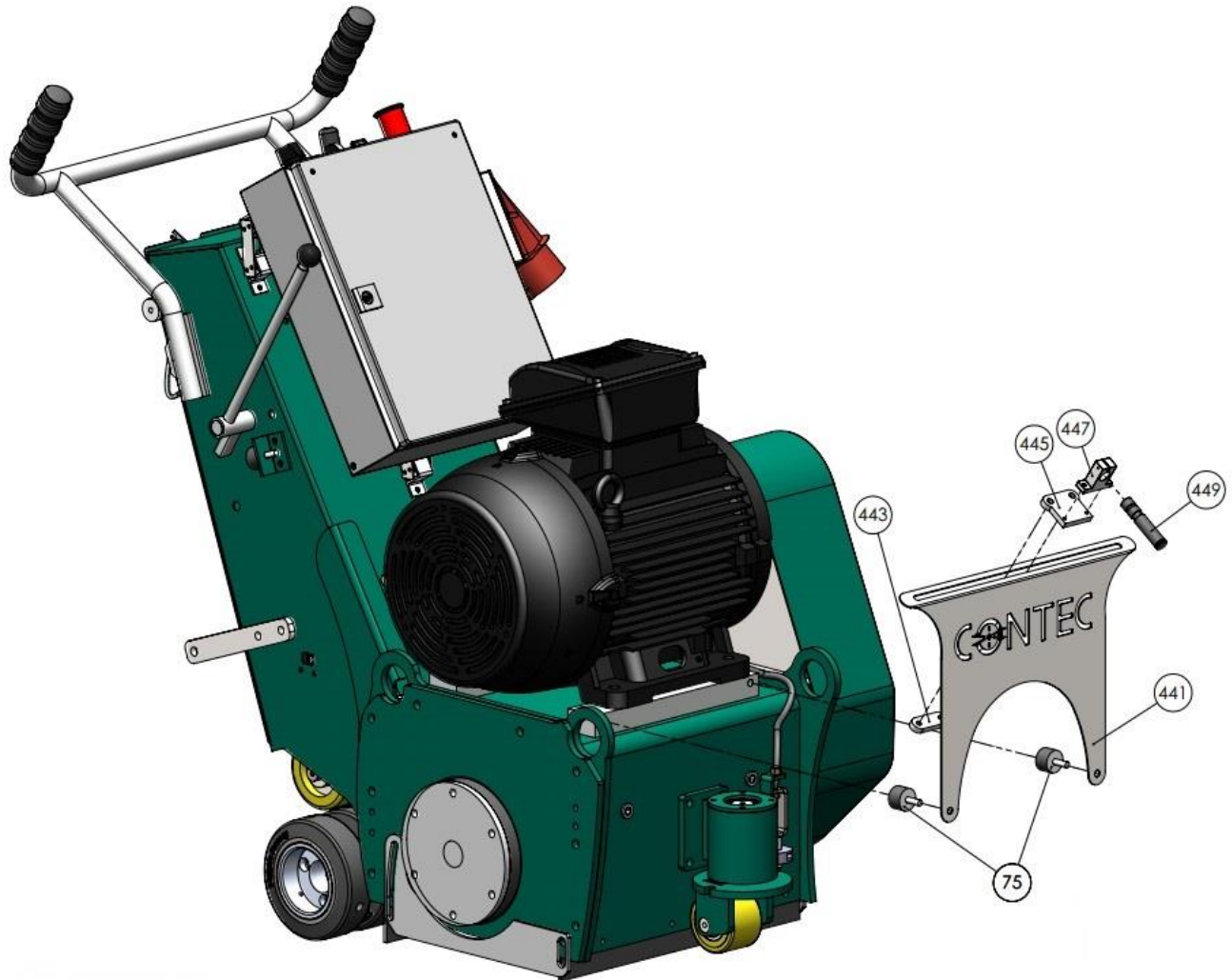


**CT320 LONGNOSE – PARTS LIST 8**

Item #	Part #	Description	QTY	Remarks
435	8719106710	LONG NOSE PIPE	1	
437	8719106720	LONG NOSE WHEEL BRACKET	1	
439	8780206260	CASTER	2	

**This Page Left Intentionally Blank**

## PARTS LIST 9 – CT320 LASER LINE UP

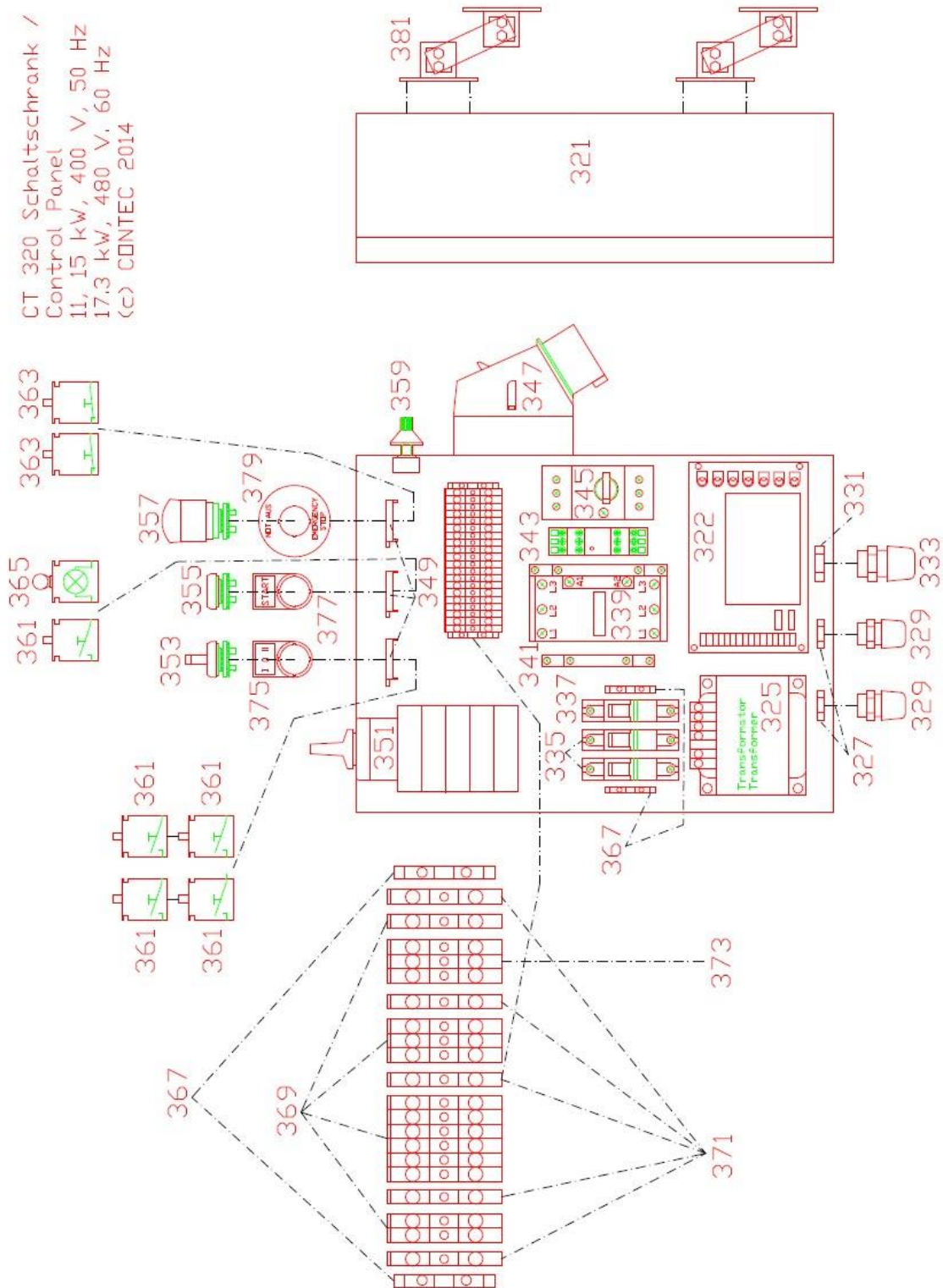


### CT320 LASER LINE UP – PARTS LIST 9

Item #	Part #	Description	QTY	Remarks
75	8770263000	Rubber Block	2	
441	8719105104	Laser Front Sheet	1	
443	8719105103	Laser Adjustment Clamp	1	
445	8719105102	Laser Adjustment	1	
447	8790200183	Bracket for Laser	1	
449	8750203009	Line Laser Green	1	

**PARTS LIST 10 – CT320 CONTROL PANEL**

CT 320 Schaltschrank /  
 Control Panel  
 11, 15 kW, 400 V, 50 Hz  
 17.3 kW, 480 V, 60 Hz  
 (c) CONTEC 2014

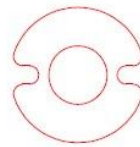
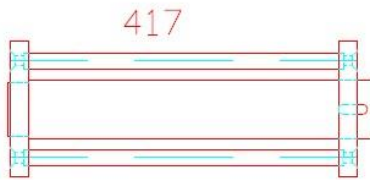
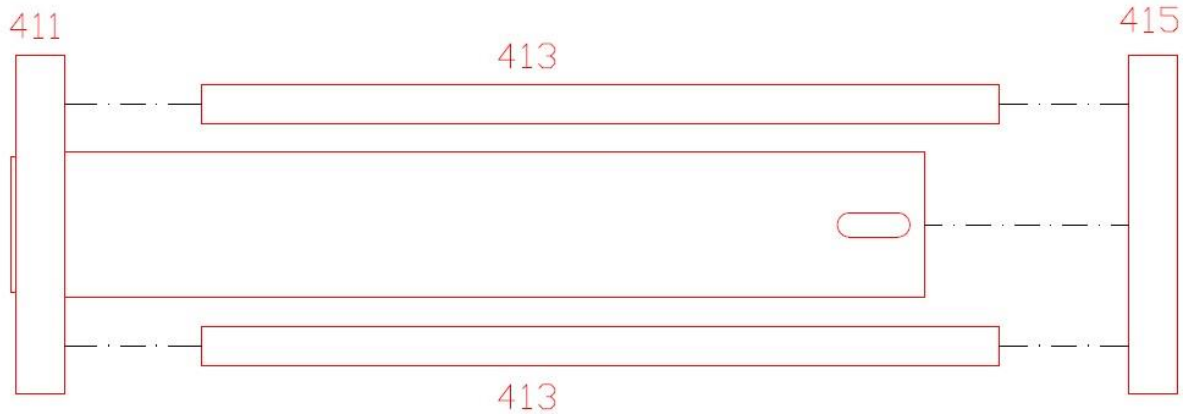


**CT320 CONTROL PANEL – PARTS LIST 10**

Item #	Part #	Description	QTY	Remarks
321	8750201556	Control Panel	1	
322	8750203015WEG	Drive Circuit	1	
325	8750204001	Transformer	1	
327	87502023GMM2	Nut	2	
329	87502023M20	Cable Gland	2	
331	87502023GMM2	Nut	1	
333	87502023M25	Cable Gland	1	
335	8750203003	Circuit Breaker	2	
337	8750107537	Circuit Breaker	1	
339	8751203104	Main Contactor	1	
341	8750203005SA	Auxiliary Block	1	
341	8750203005SA	Auxiliary Block	1	
343	87502030PF	Phase Guard	1	
345	875110025US	Motor Protective	1	
349	8750202309	Mounting Adapter	3	
351	8751202006	StarDeltaSwitch	1	
353	8750202303	Direction Switch	1	
355	8750202302N	Start Button	1	
357	8750202301	Emergency Switch	1	
359	8750202018	Potentiometer	1	
361	8750203307	Contact Element	5	
363	8750203308	Contact Element	2	
365	87216773	Indicator Light	1	
367	8750111102	Terminal green/yellow	4	
369	8750111104	Terminal beige	12	
371	8750111107	Terminal green/yellow	5	
373	8750111106	Terminal blue	3	
375	8750202005	Label Mount (I O II)	1	
377	8750202006	Label Mount (Start)	1	
379	8750222301	Emergency Switch Label	1	
381	8770261820	Rubber Bracket	3	

**PARTS LIST 11 – CT320 DRUM**

Diamanttrommel CT 320



Distanzscheibe / Spacer

- 1 mm      419
- 2 mm      421
- 3 mm      423
- 5 mm      425
- 8 mm      427
- 10 mm     429

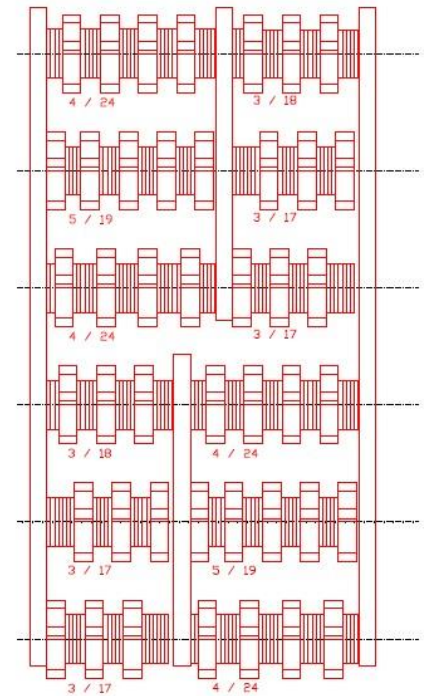
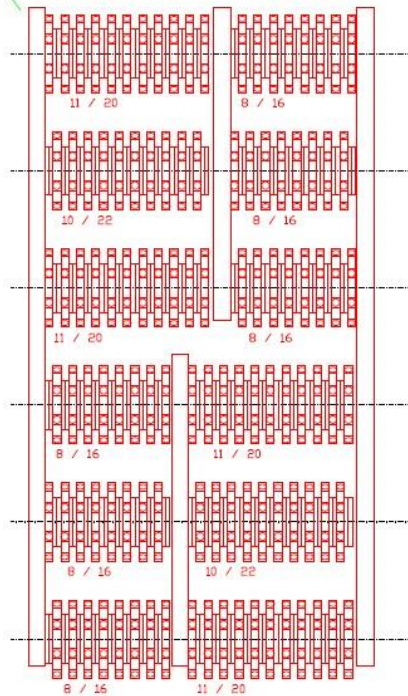
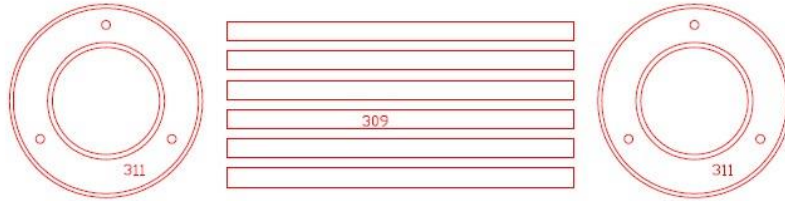
**CT320 DRUM – PARTS LIST 11**

Item #	Part #	Description	QTY	Remarks
411	8719105525	Drum Shaft with Flange	1	
413	8719105504	Shaft for Diamond Drum	2	
415	8719105503	Flange for Diamond Drum	1	
417	8719105510	Drum for Diamond Blades	1	
419	8719105517	Spacer 1mm for Diamond Drum	1	
421	8719105514	Spacer 2mm for Diamond Drum	1	
423	8719105515	Spacer 3mm for Diamond Drum	1	
425	8719105516	Spacer 5mm for Diamond Drum	1	
427	8719105518	Spacer 8mm for Diamond Drum	1	
429	8719105519	Spacer 10mm for Diamond Drum	1	

## PARTS LIST 12 – CT320 DRUM WITH TOOLS

Werkzeuge für CT 320  
Tools for CT 320  
(c) Contec GmbH 2018

300 Trommel / drum

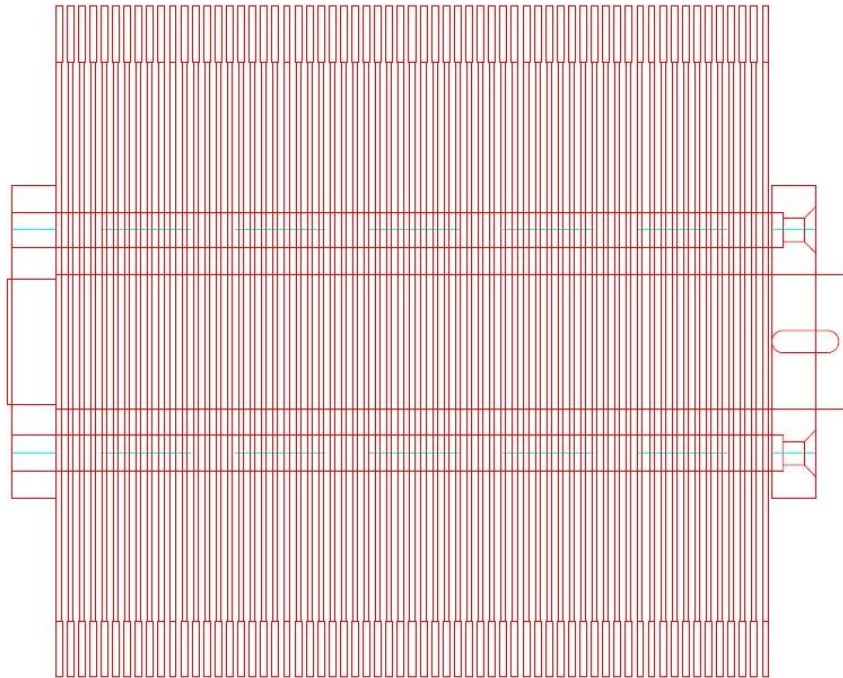


### CT320 DRUM WITH TOOLS – PARTS LIST 12

Part #	Description	QTY	Remarks
879510320T	Drum Only	1	
8795168008	TC Cutters 80 / 8	A/R	
8795162414	Spacer	1	
8795168020	Milling Flails 80/20	A/R	
879510320A	Axis for Drum	6	
879510320S	Drum Side Disc	2	

**This Page Left Intentionally Blank**

## PARTS LIST 13 – CT320 DRUM WITH BLADES



63 Blatt / Blades

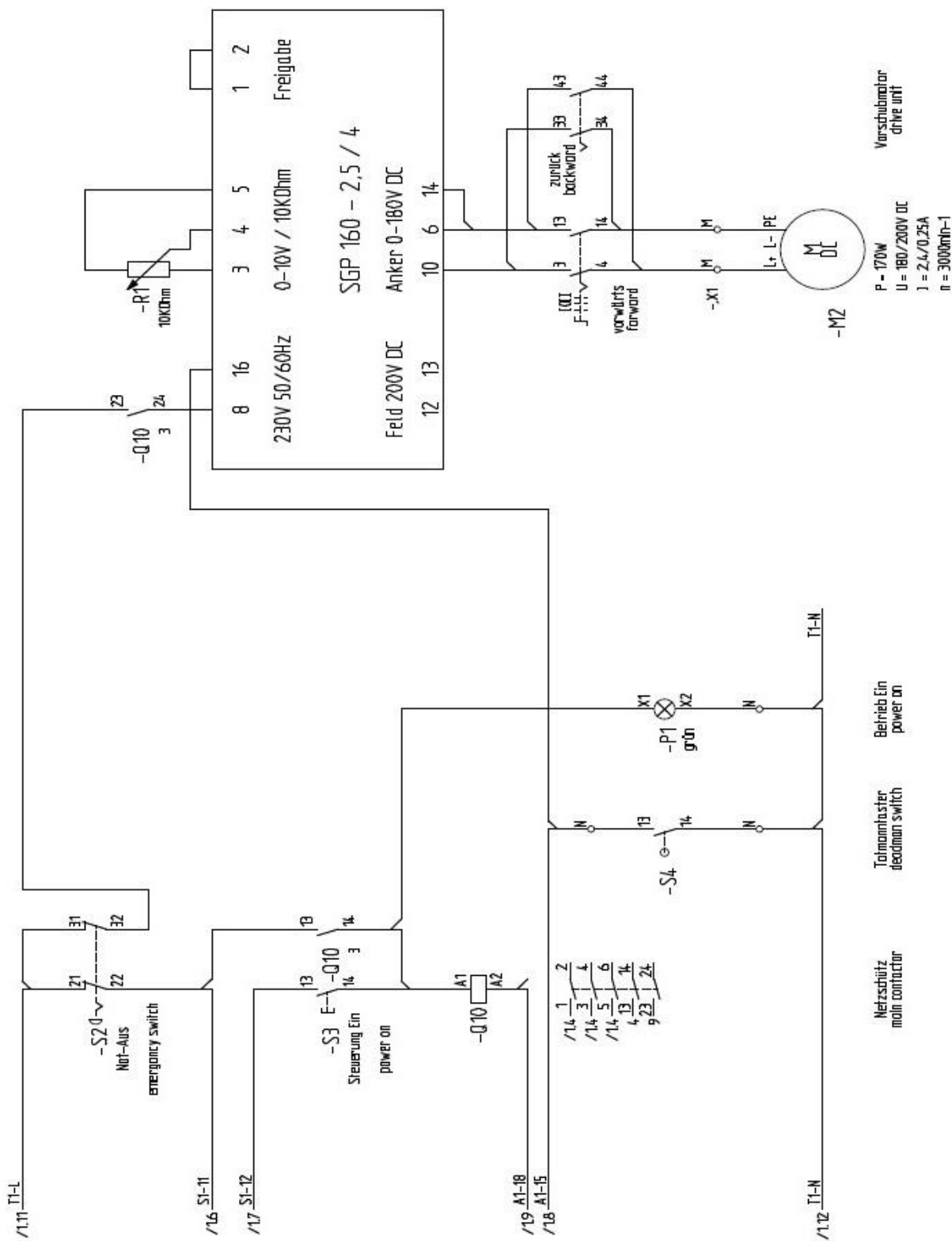
(Verwendungsbereich)	(Zul.Abb.)	(Bear.FL)	MassTab	(Gezeichnet)
CT320			Verlestoff	RSt 37-2
		Datum	Name	(Benennung)
		Bear.	02.07.11	Dietz
		Gepr.		
		Norm		
		Firma	(Zeichnungsnummer)	
		CONTEC GmbH	37518	Aisdorf
Zust.	Änderung	Datum	Name (Urspr.)	(Ers.Fo)
				(Ersatz)

### CT320 DRUM WITH BLADES – PARTS LIST 13

Item #	Part #	Description	QTY	Remarks
	8719105508	General Surface Diamond Blade (Green)	63 per drum	
	8719105520	Hard Surface Diamond Blade (Red)	63 per drum	
	8719105521	Very Hard Surface Diamond Blade (Silver)	63 per drum	
	8719105515	Spacer 3mm	62 per drum	



## ELECTRICAL SCHEMATIC 2 – DRIVE MOTOR



CONTRACTOR PROVEN EQUIPMENT SINCE 1946



170 Traders Blvd E  
Mississauga, ON L4Z 1W7  
Canada

4701 Allmond Avenue  
Louisville, KY 40209  
United States

200 Commerce Drive  
Freehold, NJ 07728  
United States

Honeyholes Lane  
Dunholme, Lincoln LN2 3SU  
United Kingdom

